



MADE  
IN THE **USA**

### Related Products (each sold separately):

- GS-122 - Glove Dispenser - Double with Dividers
- GS-123 - Glove Dispenser - Triple with Dividers (shown below)



### Product Description:

- Glove Box Dispenser - Quad with Dividers
- Holds four boxes of gloves
- Two-way keyholes for vertical or horizontal wall mounting
- Stainless steel

### Primary Area for Product Usage:

- Anywhere gloves are needed

### Dispenses:

- Box(es) no larger than 5.25"W x 10.00"H x 3.75"D (13.3 cm x 25.4 cm x 9.5 cm)
- Box(es) no smaller than 4.50"W x 9.00"H x 2.75"D (11.4 cm x 22.9 cm x 7.0 cm)

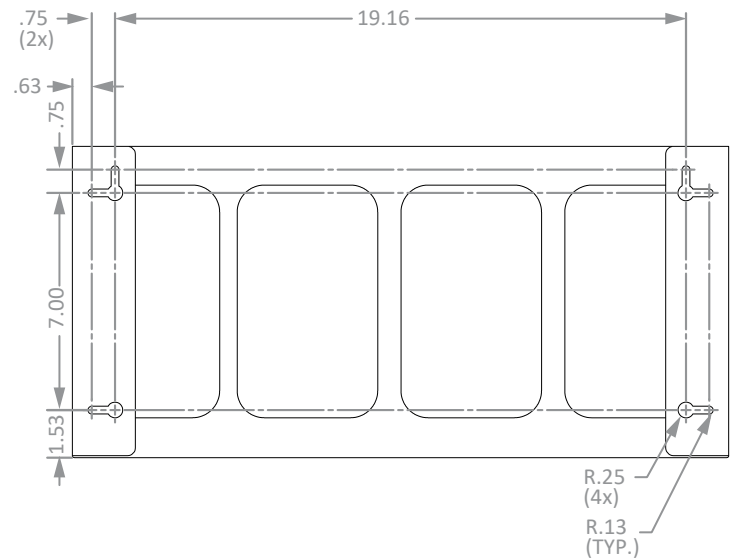
### Package Specifications:

- Package Quantity: 4 per case
- 26"W x 11"H x 8"D (66.0 cm x 27.9 cm x 20.3 cm)
- 13 lbs (5.9 kg) - approximated

### Product Specifications (overall external dimensions):

- 21.16"W x 10.03"H x 3.81"D (53.7 cm x 25.5 cm x 9.7 cm)
- 2.4 lbs (1.1 kg) - approximated

### Mounting Specifications:

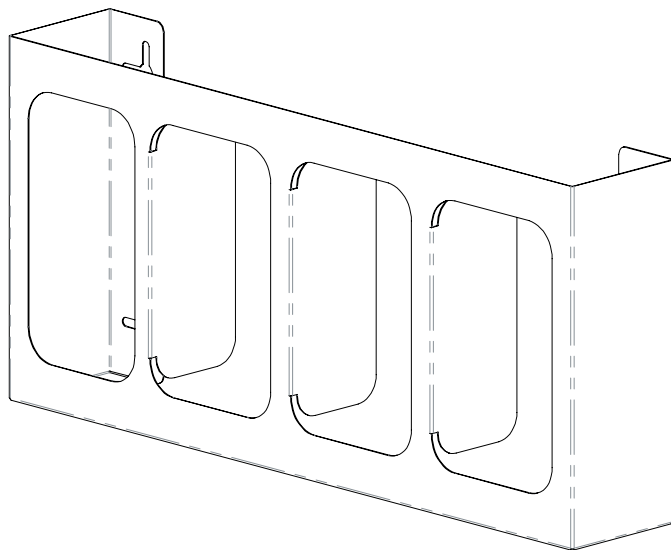




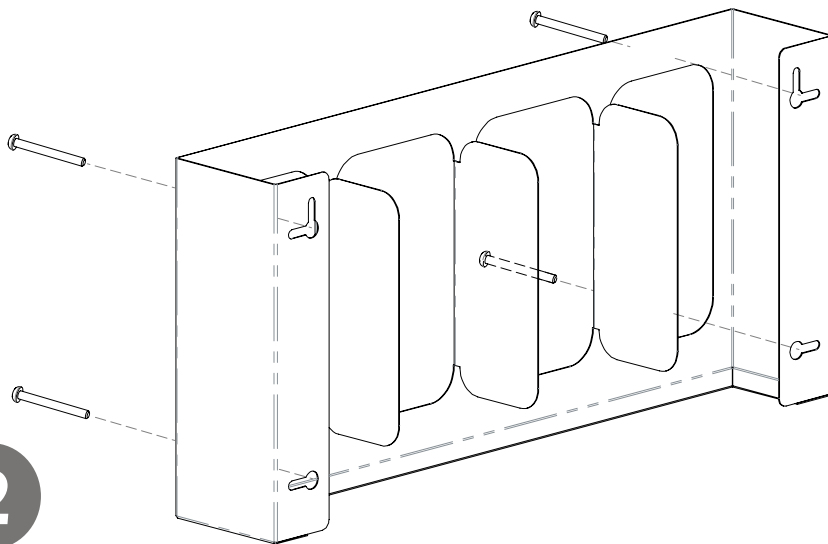
## Installation

Always mount dispensers securely *prior* to loading with product.

- Dividers hold boxes separately for ease of loading and removing.



- Mount securely to a wall with screws approved and supplied by building maintenance.



### Parts included:

- Dispenser

### Tools Required:

- No tools required to assemble dispenser

## Care and Construction Stainless Steel

### Material Characteristics

#### Designed for Long-Term, Heavy-Duty Applications

By its nature, stainless steel is resistant to corrosion and oxidation, yet the bright, easily maintained surface provides a modern and attractive appearance. Stainless steel is used overwhelmingly for its corrosion resistance characteristics. Along with being sturdy, stainless steel is also fire and heat resistant.

Stainless steel has work-hardening properties, giving the material a great strength-to-weight advantage over other materials. It also provides impact resistance and high toughness in extreme temperatures

### Care and Cleaning

Stainless steel resists a variety of common chemicals and cleaning agents. Clean using warm water, a gentle detergent, and soft cloth. Dry thoroughly to avoid spotting. Do not use steel wool.