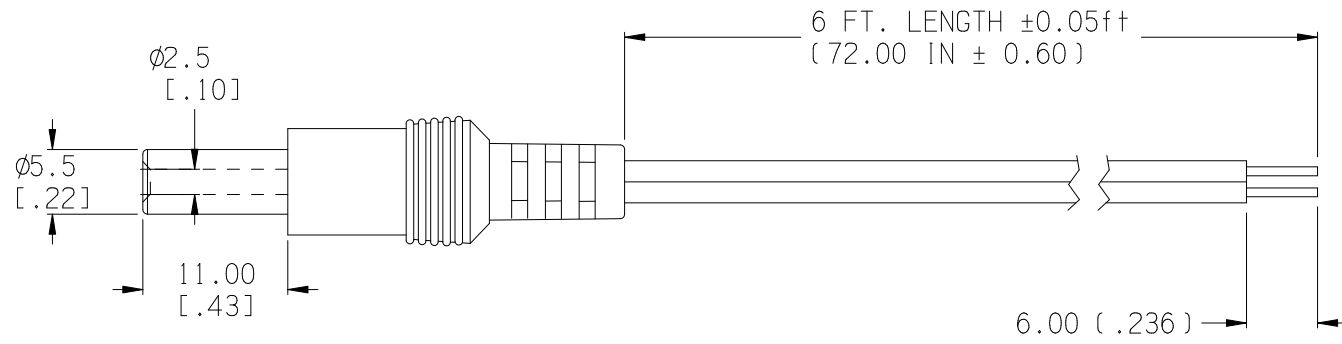



Date	SYM	REVISION RECORD	AUTH	DR.	CK.
08/06/14	A	UPDATED TO ROHS 2 COMPLIANT	T.B.	B.S.	
11/06/15	B	ADDED TOLERANCE TO CABLE LENGTH	T.B.	B.S.	



HOUSING: GRAY
 CORD: UL2468, 300V, 80°C, 24 AWG
 PASSES UL FLAME TEST VW-1
 ONE CONDUCTOR GRAY WITH WHITE MARKING,
 OTHER CONDUCTOR GRAY
 CENTER IS POSITIVE CONTACT
 DC MOLDED PLUG: 2.5mm X 5.5mm
 ROHS 2 COMPLIANT

Tolerance (Inches)	 Memory Protection Devices, Inc 200 Broad Hollow Road, Farmingdale, New York 11735		
Decimal ±.5 (.020)		Scale	Drawn By B.S.
			Approved By T.B.
Fractional ± .8 (.030)	Title 2.5mm DC MOLDED PLUG WITH 6' WIRE LEADS		
Angular ± 3°	Date 11/06/15	Drawing Number 172-0014	