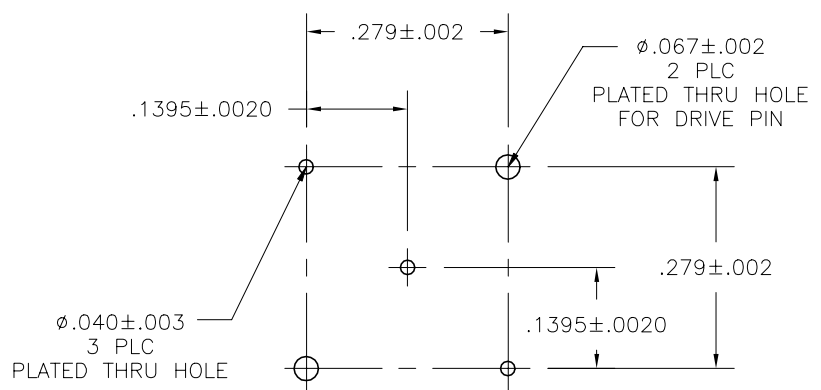
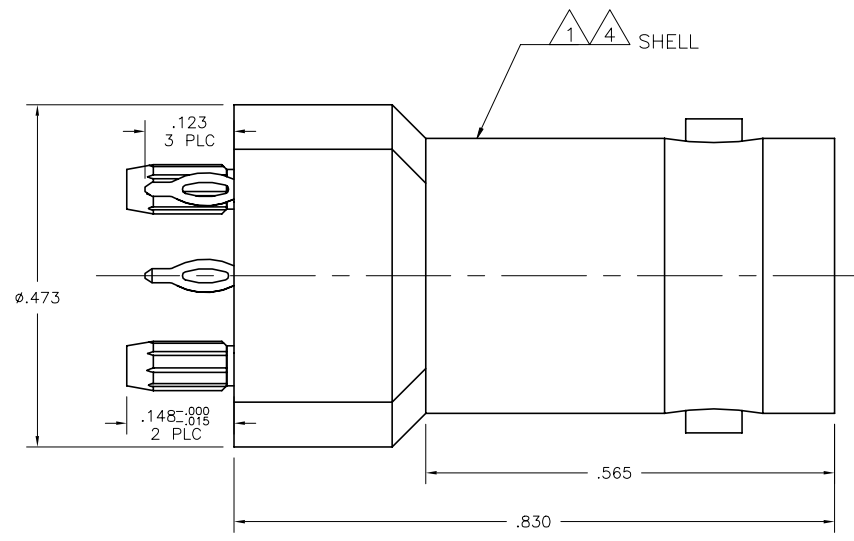
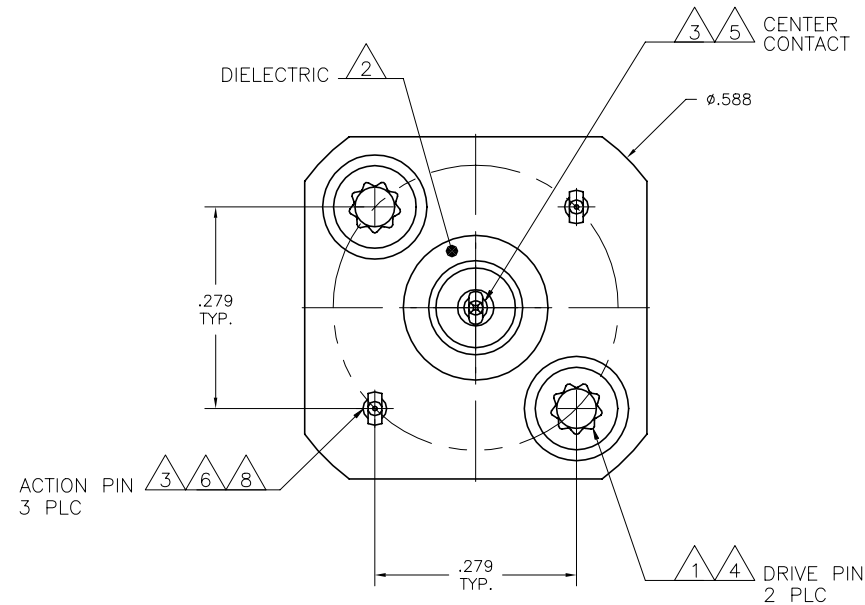


REVISIONS			
REV	DATE	BY	APP'D
C1	20MAR2020	RZ	RS

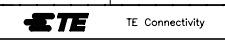


- 1 BRASS PER ASTM-B-16
- 2 PTFE
- 3 PHOSPHOR BRONZE PER ASTM-B-139
- 4 NICKEL PLATE PER QQ-N-290
- 5 GOLD PLATE PER ASTM-B-488
- 6 TIN-LEAD PER ASTM B571 (PB 3% TO 13% BY WEIGHT)
- 7 CUSTOMER METHOD FOR MOUNTING CONNECTOR MUST PREVENT ANY MOVEMENT OF CONNECTOR DURING MATING, IN SERVICE, OR UNMATING.
- 8 TIN PER ASTM B545

PCB CONFIGURATION  
NTS

8	2016080-2
6	2016080-1
ACTION PIN	PART NUMBER

THIS DRAWING IS A CONTROLLED DOCUMENT.		DRW: G.WALLACE 304P2008	DATE: 2016080-2	
DIMENSIONS: INCHES		APP'D: E.BLASICK 304P2008	SCALE: 10:1	
TOLERANCES UNLESS OTHERWISE SPECIFIED:		PRODUCT SPEC: 108-2340	SHEET: 1 OF 1	
0 PLC ± .005		APPLICATION SPEC: 108-2340	REV: C1	
1 PLC ± .005		WEIGHT: 0.000000	DRAWING NO: A100779	
2 PLC ± .005		CUSTOMER DRAWING		REV: C1
3 PLC ± .005		DRAWING NO: A100779		REV: C1
4 PLC ± .005		DRAWING NO: A100779		REV: C1
5 PLC ± .005		DRAWING NO: A100779		REV: C1
6 PLC ± .005		DRAWING NO: A100779		REV: C1
7 PLC ± .005		DRAWING NO: A100779		REV: C1
8 PLC ± .005		DRAWING NO: A100779		REV: C1



BNC JACK, PCB, PRESS FIT, 75 OHM