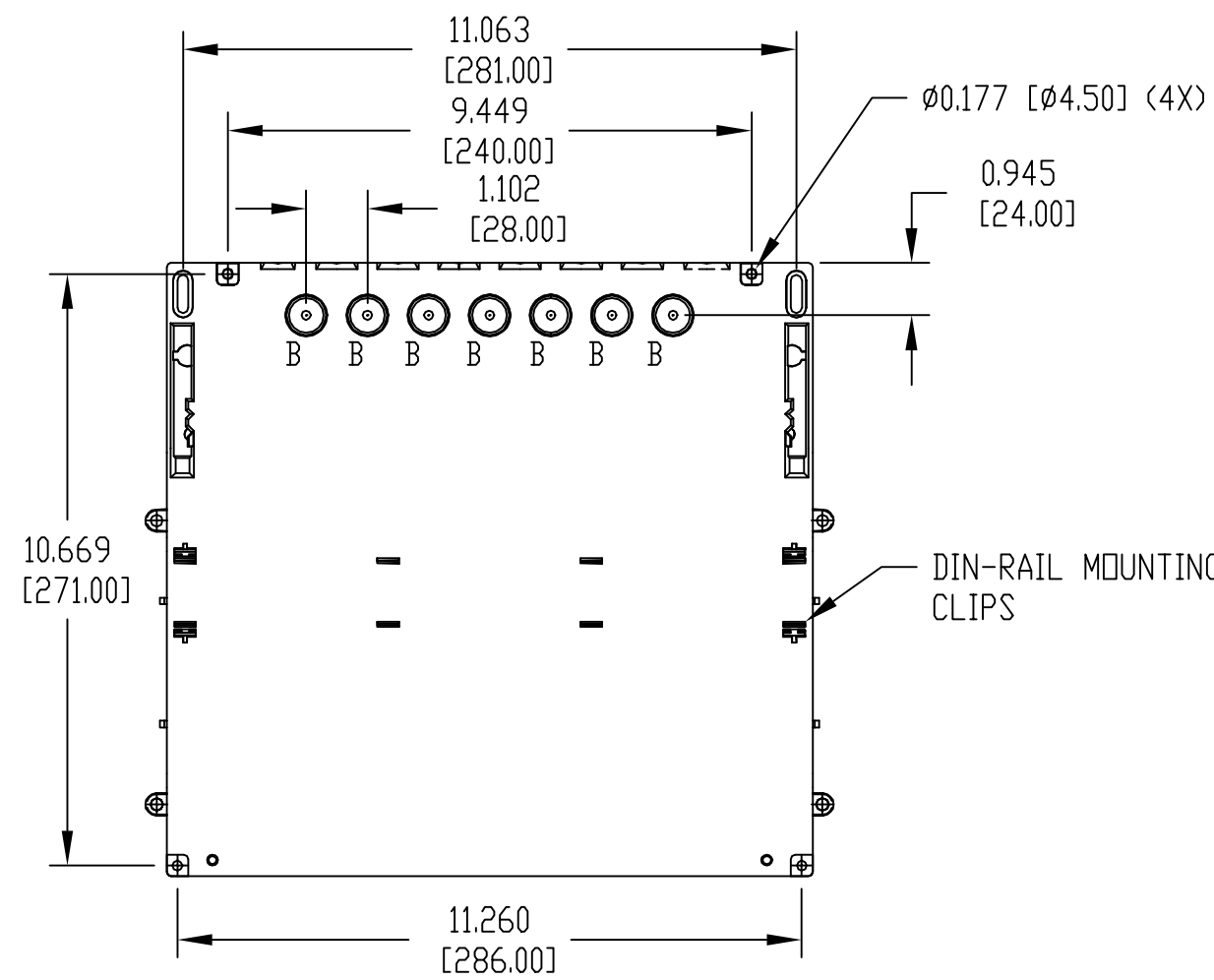
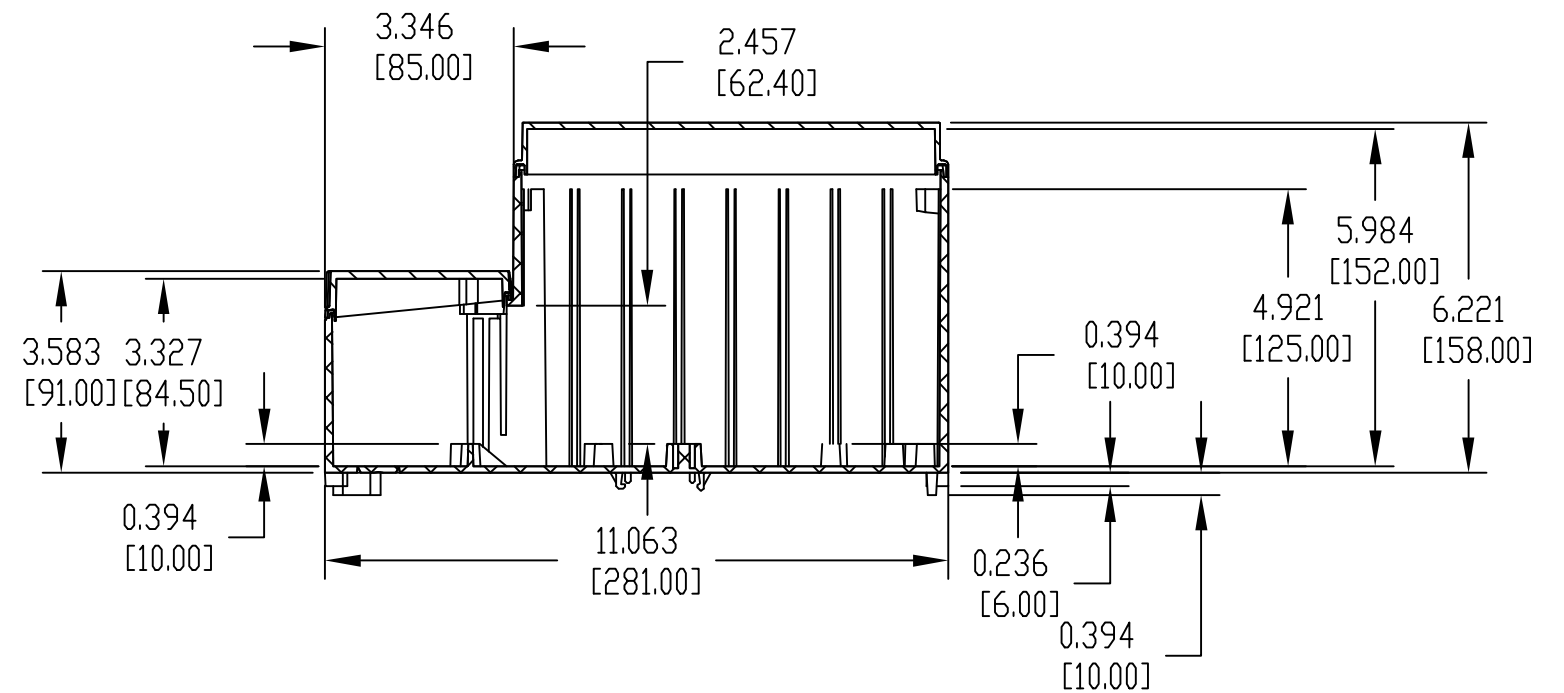
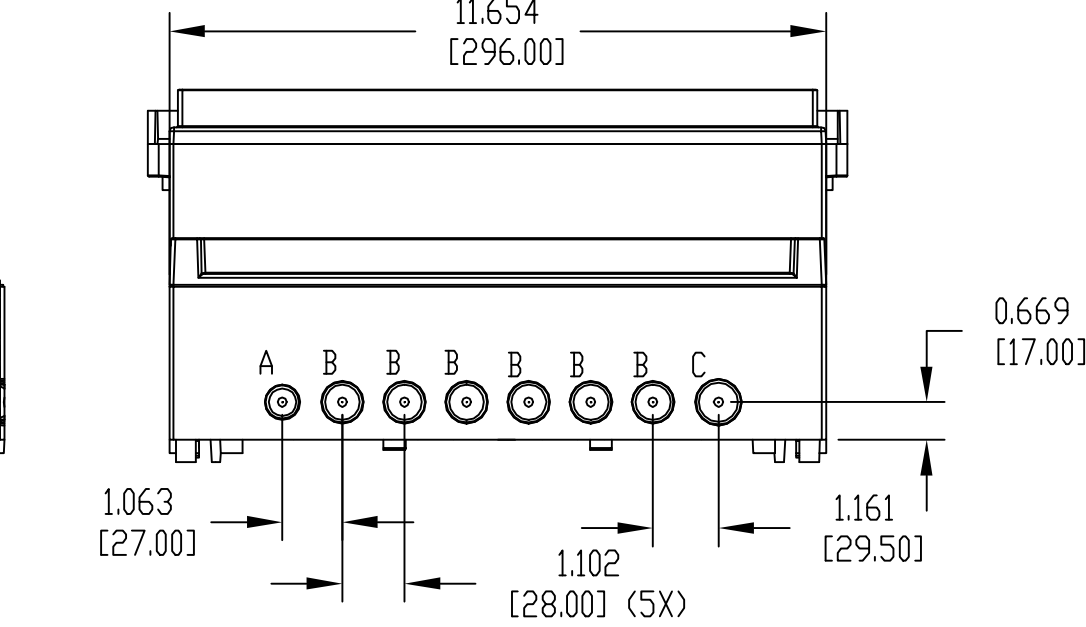
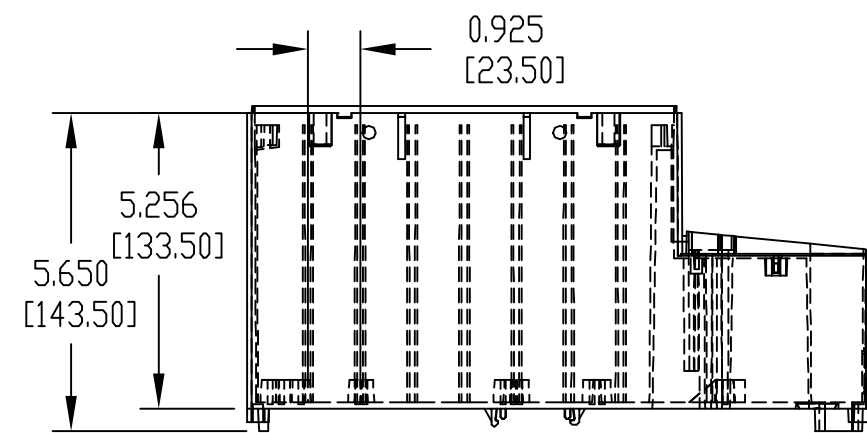


MATERIAL:  
BODY & TERMINAL COMPARTMENT COVER - LIGHT GRAY HIGH IMPACT ABS  
PCB COMPARTMENT COVER - BLUE TINTED POLYCARBONATE (UL 94-HB)

SILICONE SPONGE GASKET IN BOTH COVERS

SCREW-ON COVER DESIGNED TO MEET IP-66 RATING



	KNOCKOUT DIMENSION	CABLE GLAND
A	Ø0.614 [15.6mm]	PG 9(OR M12)
B	Ø0.748 [19.0mm]	PG 11(OR M16)
C	Ø0.819 [20.8mm]	PG 13.5(OR M20)

ALL DIMENSIONS HAVE ±0.015 TOLERANCE UNLESS OTHERWISE SPECIFIED