

54012-4 ✓ ACTIVE

AMP | AMP CPC

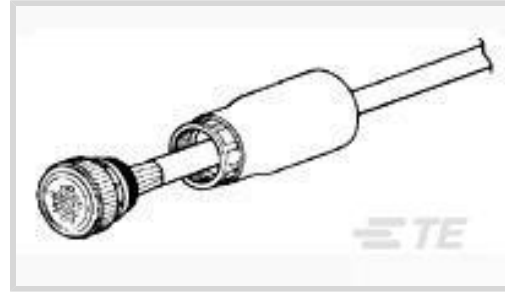
TE Internal #: 54012-4

Cable Seal, Black, -55 – 110 °C [-67 – 230 °F] Operating Temperature, AMP CPC

[View on TE.com >](#)



Connectors > Connector Accessories > Connector Seals & Cavity Plugs > CPC Heat Shrink Strain Reliefs



Connector Seal & Plug Type: **Cable Seal**

Primary Product Color: **Black**

Operating Temperature (Max): **110 °C [230 °F]**

Operating Temperature Range: **-55 – 110 °C [-67 – 230 °F]**

[All CPC Heat Shrink Strain Reliefs \(7\)](#)

## Features

### Product Type Features

Connector Seal & Plug Type	Cable Seal
----------------------------	------------

### Body Features

Primary Product Color	Black
-----------------------	-------

### Mechanical Attachment

Thread Size	1-7/16-18
-------------	-----------

### Dimensions

Compatible Cable Diameter Range	13.97 – 31.75 mm [.55 – 1.25 in]
---------------------------------	----------------------------------

### Usage Conditions

Operating Temperature (Max)	110 °C [230 °F]
-----------------------------	-----------------

Operating Temperature Range	-55 – 110 °C [-67 – 230 °F]
-----------------------------	-----------------------------

### Packaging Features

Packaging Quantity	50
--------------------	----

Packaging Method	Carton
------------------	--------

## Product Compliance

[For compliance documentation, visit the product page on TE.com>](#)

EU RoHS Directive 2011/65/EU	Compliant
------------------------------	-----------



EU ELV Directive 2000/53/EC	Compliant
China RoHS 2 Directive MIIT Order No 32, 2016	No Restricted Materials Above Threshold
EU REACH Regulation (EC) No. 1907/2006	Current ECHA Candidate List: JUNE 2023 (235) Candidate List Declared Against: JUNE 2023 (235) Does not contain REACH SVHC
Halogen Content	BFR/CFR/PVC Free, but Br/Cl >900 ppm in other sources.
Solder Process Capability	Not applicable for solder process capability

Product Compliance Disclaimer

This information is provided based on reasonable inquiry of our suppliers and represents our current actual knowledge based on the information they provided. This information is subject to change. The part numbers that TE has identified as EU RoHS compliant have a maximum concentration of 0.1% by weight in homogenous materials for lead, hexavalent chromium, mercury, PBB, PBDE, DBP, BBP, DEHP, DIBP, and 0.01% for cadmium, or qualify for an exemption to these limits as defined in the Annexes of Directive 2011/65/EU (RoHS2). Finished electrical and electronic equipment products will be CE marked as required by Directive 2011/65/EU. Components may not be CE marked. Additionally, the part numbers that TE has identified as EU ELV compliant have a maximum concentration of 0.1% by weight in homogenous materials for lead, hexavalent chromium, and mercury, and 0.01% for cadmium, or qualify for an exemption to these limits as defined in the Annexes of Directive 2000/53/EC (ELV). Regarding the REACH Regulation, the information TE provides on SVHC in articles for this part number is based on the latest European Chemicals Agency (ECHA) 'Guidance on requirements for substances in articles' posted at this URL: <https://echa.europa.eu/guidance-documents/guidance-on-reach>

## Compatible Parts

TE Part # CAT-AM71-C83998C  
Circular Plastic Connector, CMC Series 1

TE Part # CAT-AM71-C83998S  
Circular Plastic Connector with Metal Shell, CMC Series 4

TE Part # CAT-AM71-C83998R  
Circular Connector, CMC Series 3

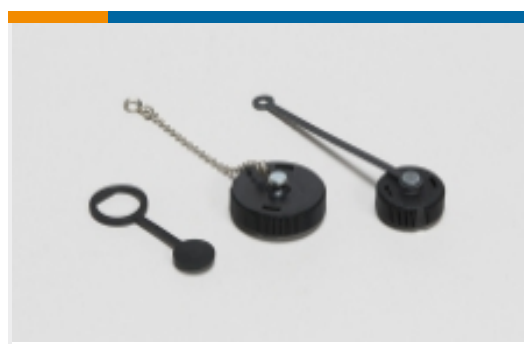
TE Part # 1776089-1  
CMC PLUG ASSEMBLY, SZ 28

TE Part # CAT-AM71-C83998Q  
CMC SERIES 2

Also in the Series | **AMP CPC**



Circular Connector Adapters(7)



Circular Connector Caps & Covers(16)



Circular Connector Hardware(3)



Circular Connector Keying Plugs(2)



Circular Power Connectors(459)



Connector Backshells(56)



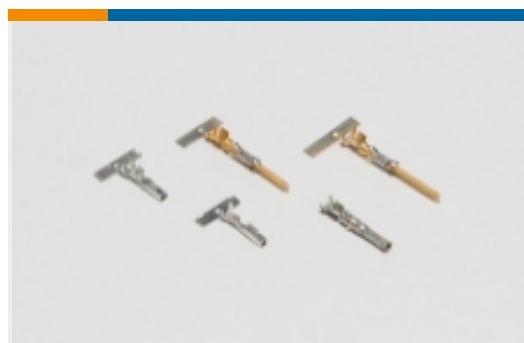
Connector Seals & Cavity Plugs(36)



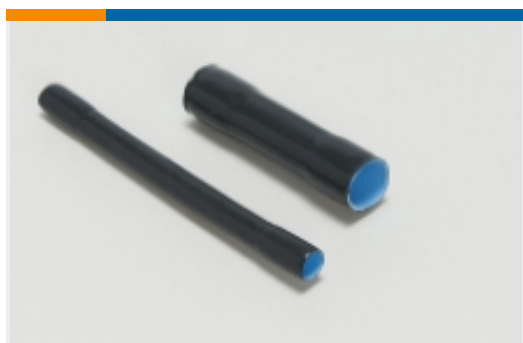
Connector Strain Relief(6)



Insertion & Extraction Tools(1)

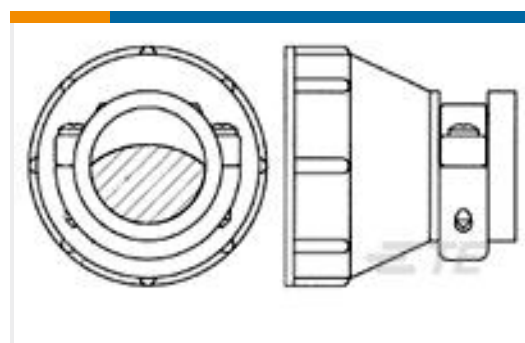


Power Contacts(6)



Sealing Sleeves(2)

## Customers Also Bought



TE Part #208945-7  
SZ 22 UNASSM KIT,CMC



TE Part #208457-1  
Circular Plastic Connector, CMC Series 1



TE Part #9-1393211-4  
T92S11D22-24



TE Part #1776089-1  
CMC PLUG ASSEMBLY,SZ 28



TE Part #1-1879453-5  
Wirewound Resistor: Mineral, 2.5 Kw



TE Part #193991-4  
PIN ASSY. TPE XII



TE Part #2-1393250-3  
W28-XQ1A-1=W28-



TE Part #356302-1  
LARGE TOOL HOLDER W/RATCHET

## Documents



**Product Drawings**

**CPC STRAIN RELIEF,SIZE 23**

English

---

**CAD Files**

**3D PDF**

3D

**Customer View Model**

[ENG\\_CVM\\_CVM\\_54012-4\\_Y.2d\\_dxf.zip](#)

English

**Customer View Model**

[ENG\\_CVM\\_CVM\\_54012-4\\_Y.3d\\_igs.zip](#)

English

**Customer View Model**

[ENG\\_CVM\\_CVM\\_54012-4\\_Y.3d\\_stp.zip](#)

English

**3D PDF**

English

**Customer View Model**

[ENG\\_CVM\\_54012-4\\_V.2d\\_dxf.zip](#)

English

**Customer View Model**

[ENG\\_CVM\\_54012-4\\_V.3d\\_igs.zip](#)

English

**Customer View Model**

[ENG\\_CVM\\_54012-4\\_V.3d\\_stp.zip](#)

English

By downloading the CAD file I accept and agree to the [Terms and Conditions](#) of use.

---

**Datasheets & Catalog Pages**

**AMP Circular Connectors for Commercial Signal & Power Applications Continued**

English

---

**Agency Approvals**

**CSA Certificate**

English

**CSA Certificate**

English