



Terminals & Splices > Quick Disconnects



Quick Disconnect Terminal Type: **Tab**

Wire Size: **.51 – 2.08 mm²**

Mating Tab Width: **6.35 mm [.25 in]**

Mating Tab Thickness: **.81 mm [.032 in]**

Features

Configuration Features

| | |
|-----------------------------------|---------------|
| Connection Capacity | Single |
| Compatible With Wire & Cable Type | Discrete Wire |

Contact Features

| | |
|--------------------------------|------------------|
| Quick Disconnect Terminal Type | Tab |
| Mating Tab Width | 6.35 mm [.25 in] |
| Mating Tab Thickness | .81 mm [.032 in] |
| Terminal Orientation | Straight |
| Contact Base Material | Brass |
| Terminal Plating Material | Tin |
| Crimp Type | F-Crimp |
| Barrel Type | Open |

Termination Features

| | |
|-----------------------|--------------|
| Product Terminates To | Wire & Cable |
|-----------------------|--------------|

Mechanical Attachment

| | |
|--|--|
| | |
|--|--|



| | |
|-------------------------|---------------|
| Wire Insulation Support | With |
| Mating Retention Type | Locking Lance |

Dimensions

| | |
|--------------------------------------|------------------------------|
| Terminal Material Thickness | .41 mm[.016 in] |
| Product Length | 25.8 mm[1.01 in] |
| Compatible Insulation Diameter Range | 2.1 – 3.4 mm[.083 – .134 in] |
| Wire Size | .51 – 2.08 mm ² |

Usage Conditions

| | |
|-----------------------------|----------------------------|
| Insulation Option | Uninsulated |
| Operating Temperature Range | -40 – 110 °C[-40 – 230 °F] |

Packaging Features

| | |
|--------------------|--------------------|
| Packaging Quantity | 1000 |
| Packaging Method | Loose Piece/Carton |

Other

| | |
|------|-------------|
| Line | FASTON .250 |
|------|-------------|

Product Compliance

[For compliance documentation, visit the product page on TE.com>](#)

| | |
|---|--|
| EU RoHS Directive 2011/65/EU | Compliant |
| EU ELV Directive 2000/53/EC | Compliant |
| China RoHS 2 Directive MIIT Order No 32, 2016 | No Restricted Materials Above Threshold |
| EU REACH Regulation (EC) No. 1907/2006 | Current ECHA Candidate List: JUNE 2023 (235) Candidate List Declared Against: JAN 2023 (233) Does not contain REACH SVHC |
| Halogen Content | Low Halogen - Br, Cl, F, I < 900 ppm per homogenous material. Also BFR/CFR/PVC Free |
| Solder Process Capability | Not applicable for solder process capability |

Product Compliance Disclaimer

This information is provided based on reasonable inquiry of our suppliers and represents our current actual knowledge based on the information they provided. This information is subject to change. The part numbers that TE has identified as EU RoHS compliant have a maximum concentration of 0.1% by weight in homogenous materials for lead, hexavalent chromium, mercury, PBB, PBDE, DBP, BBP, DEHP, DIBP, and 0.01% for cadmium, or qualify for an exemption to these limits as defined in the Annexes of Directive 2011/65/EU (RoHS2). Finished electrical and electronic equipment products will be CE marked as required by Directive 2011/65/EU. Components may not be CE marked. Additionally, the part

numbers that TE has identified as EU ELV compliant have a maximum concentration of 0.1% by weight in homogenous materials for lead, hexavalent chromium, and mercury, and 0.01% for cadmium, or qualify for an exemption to these limits as defined in the Annexes of Directive 2000/53/EC (ELV). Regarding the REACH Regulation, the information TE provides on SVHC in articles for this part number is based on the latest European Chemicals Agency (ECHA) 'Guidance on requirements for substances in articles' posted at this URL: <https://echa.europa.eu/guidance-documents/guidance-on-reach>

Compatible Parts



TE Part # 2297438-3
MMF, FREE HANGING, CAP HOUSING




TE Part # 784640-1
EXT TOOL FOR POS LOCK MKI




TE Part # 934677-1
DAHT 250 FASTON TAB 20-14 ASSY

Also in the Series | FASTIN-FASTON 250




Crimp Terminal Housings(211)



Insertion & Extraction Tools(2)



PCB Terminals(2)

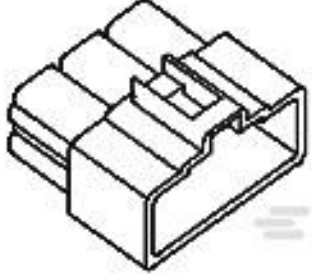


Quick Disconnects(254)

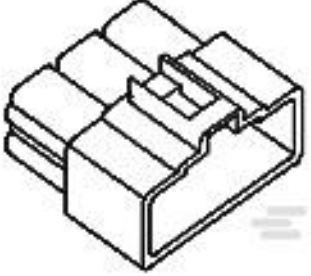
Customers Also Bought



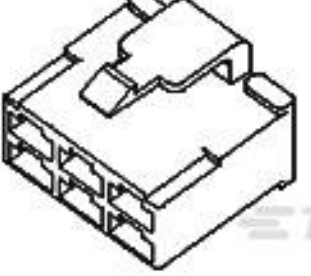
TE Part #163006
6 WAY FASTIN-ON HOUSING REC NATURAL



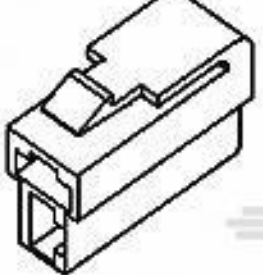
TE Part #171897-1
FF 250 REC HSG 6P NYLON NAT



TE Part #172133-1
FF 250 REC HSG 4P NYLON NAT



TE Part #172134-1
FF 250 PLUG HSG 4P NYLON NAT



TE Part #172130-1
FF 250 REC HSG 2P NYLON NAT



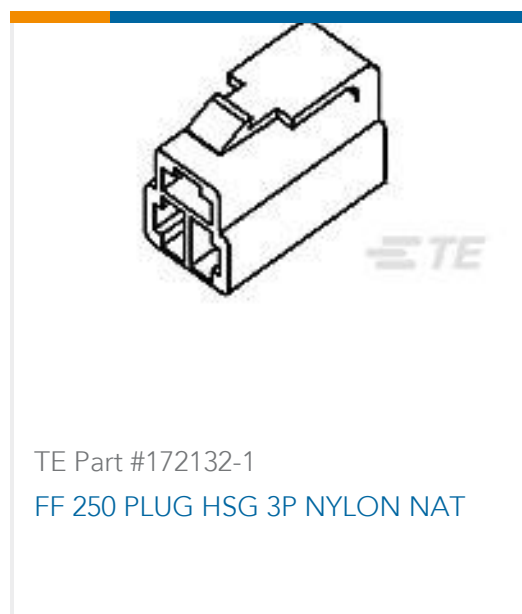
TE Part #5-160506-8
250 FASTON REC 20-16 AWG TPBZ



TE Part #170341-3
FF 250 TAB 14-12AWG PTBR WITHOUT LATCH



TE Part #1-170823-5
250 FASTON SLEEVE, REC., TRANSPARENT



Documents

Product Drawings

[FF 250 TAB 20-14AWG W/O LATCH LP](#)

English

CAD Files

[3D PDF](#)

3D

[Customer View Model](#)

[ENG_CVM_CVM_179462-3_A.2d_dxf.zip](#)

English

[Customer View Model](#)

[ENG_CVM_CVM_179462-3_A.3d_igs.zip](#)

English

[Customer View Model](#)

[ENG_CVM_CVM_179462-3_A.3d_stp.zip](#)

English

By downloading the CAD file I accept and agree to the [Terms and Conditions](#) of use.

Product Specifications

[Crimping of 250 Series Tab and Receptacle Contacts](#)

Japanese

[Application Specification](#)

Japanese

[Application Specification](#)

Japanese

[Crimping of 250 Series Tab and Receptacle Contacts](#)

Japanese