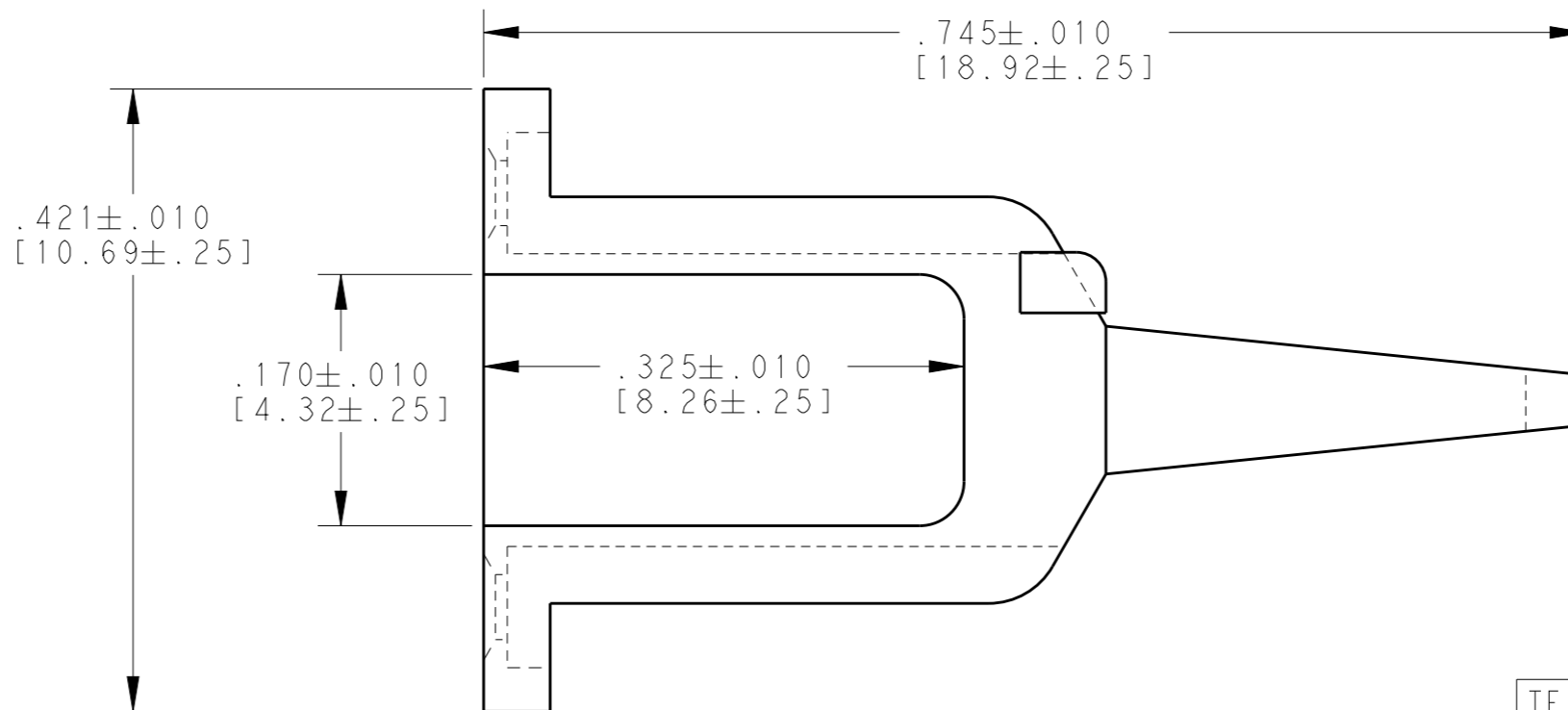
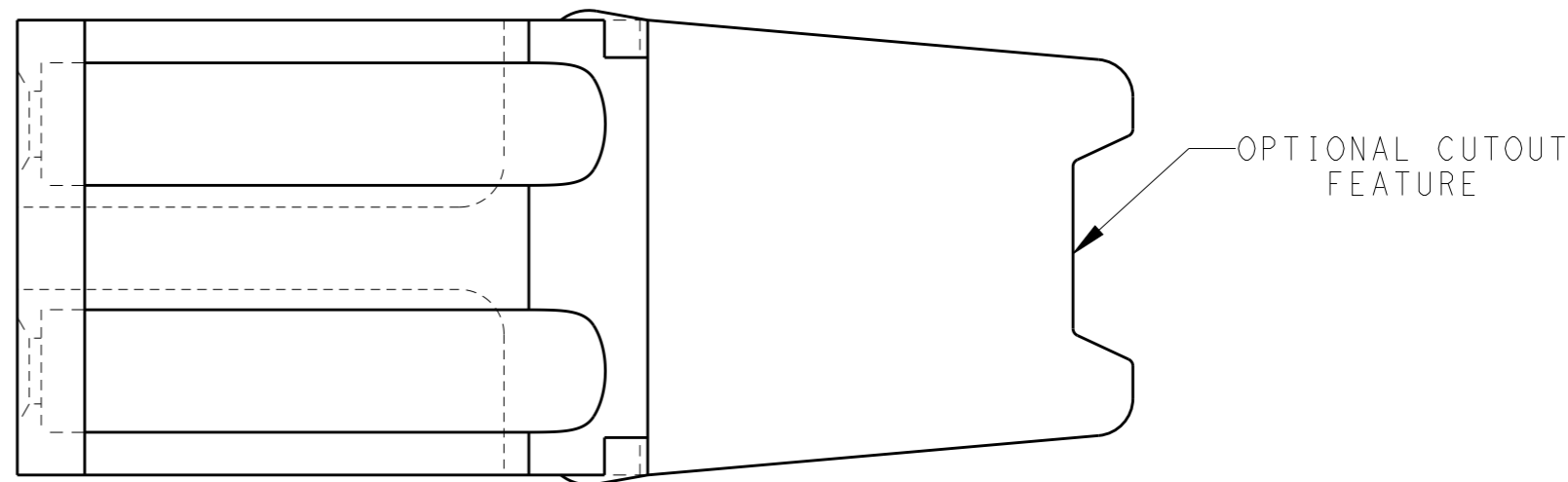
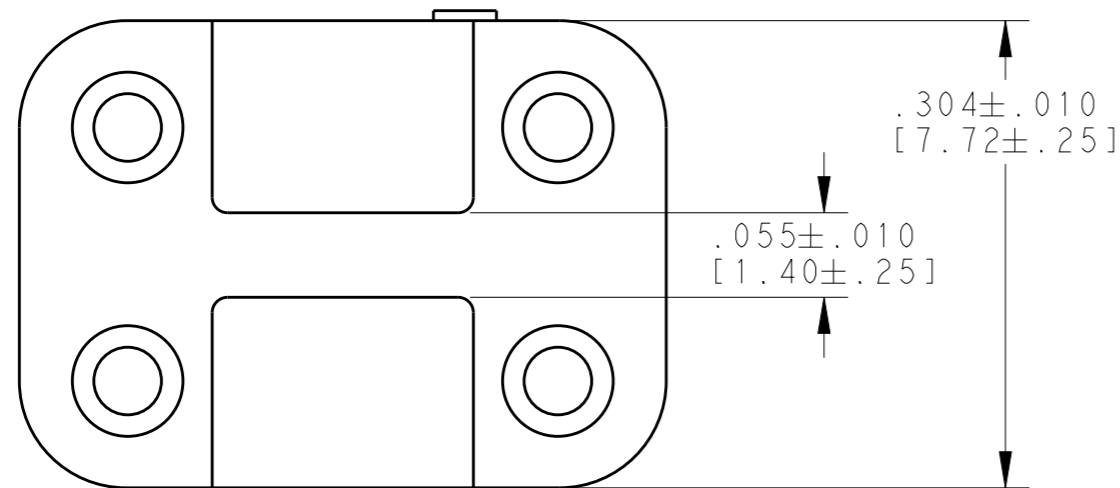


THIS DRAWING IS UNPUBLISHED
RELEASED FOR PUBLICATION 2017
© COPYRIGHT 2017 BY -TE CONNECTIVITY ALL RIGHTS RESERVED.

REVISIONS

P	LTR	DESCRIPTION	DATE	DWN	APVD
	A	REVISED PER PCN E-17-016543	26OCT2017	SS	DM



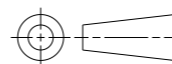
TE INTERNAL PN	DEUTSCH PN
WM-4S	WM-4S

1. THIS WEDGE LOCK MATES WITH DTM06-4S-XXXX PLUG.
(XXXX = ALL MODIFICATIONS).
CONSULT FACTORY FOR MODS.

NOTES:

THIS DRAWING IS A CONTROLLED DOCUMENT.

DIMENSIONS:
INCHES [mm]



TOLERANCES UNLESS OTHERWISE SPECIFIED:

0 PLC	±-
1 PLC	±-
2 PLC	±-
3 PLC	±.025 [0.63]
4 PLC	±-
ANGLES	±0°30'0"

MATERIAL
PBT GF
ORANGE

FINISH
-

DWN V. TOMSA 23OCT1995

CHK D. MEYER 27OCT1995

APVD R. REED 27OCT1995

PRODUCT SPEC
108-151010

APPLICATION SPEC

-

WEIGHT 0.55 GR

CUSTOMER DRAWING



NAME
WEDGE LOCK FOR 4 CONT. PLUG HOUSING
DTM SERIES

SIZE CAGE CODE DRAWING NO RESTRICTED TO

A3 4AFU8 C=WM-4S

SCALE 8:1 SHEET 1 OF 1 REV A