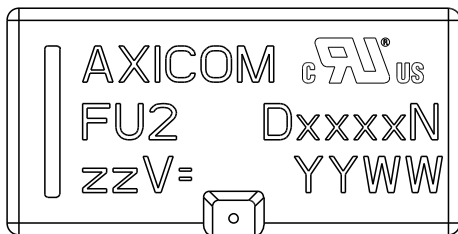
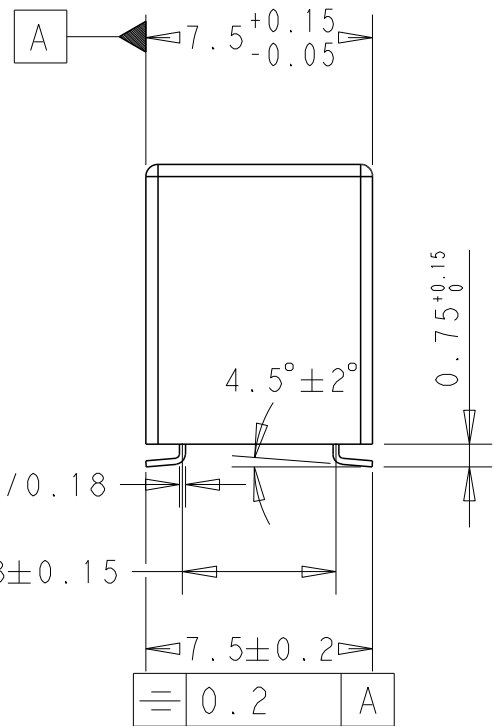
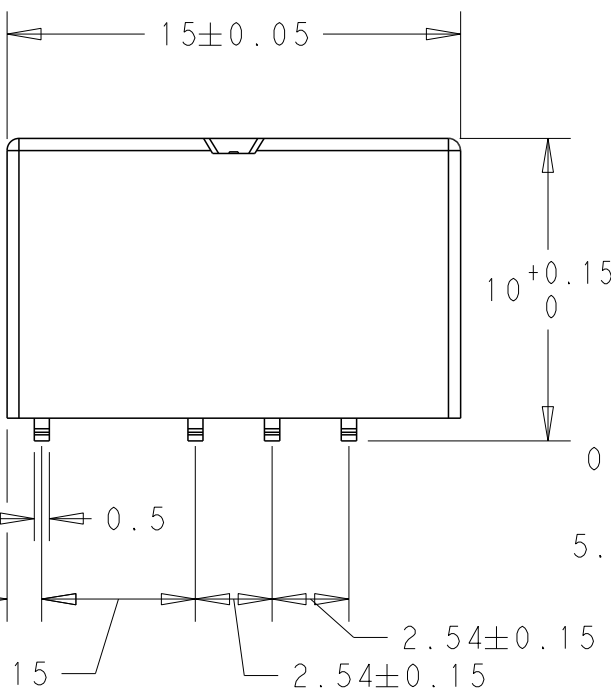
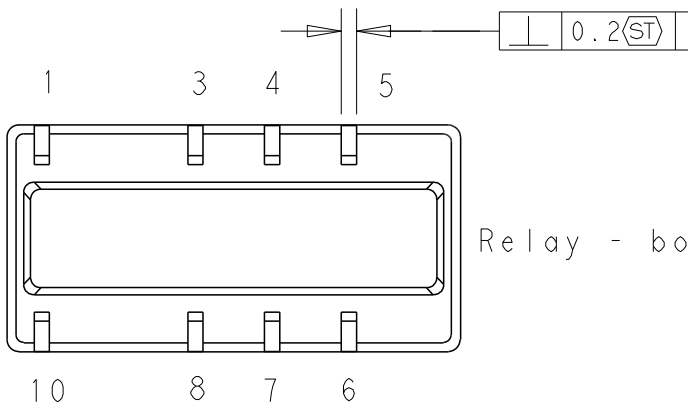


USED ON FU2 SMT short term.



Coplanarity < 0.100 mm

xxxx = Relay Type  
 zz = Nominal Voltage  
 YYWW = Date Code

DWG NO  
1462036-1

AND AFFILIATES (TE). IT MAY NOT BE DISCLOSED TO ANYONE, OTHER THAN TE PERSONNEL, WITHOUT AUTHORIZATION FROM TE (www.TE.com).

A7	ECR-15-000926	20.1.15	VG	PH	DWN	31-Oct-97	CHK	31-Oct-97	APVD	31-Oct-97
A6	ECR-11-015637	17.7.13	MV	PH	CW	9196	EG	9192	HD9121	
A5	ECO-11-005150	21.3.11	RK	HMR	DIMENSIONS:			MATERIAL		
					mm			- - -		
					TOLERANCES UNLESS OTHERWISE SPECIFIED:			TE Connectivity		
					0 PLC ±-			NAME		
					1 PLC ±0.1			FU2-W Relay		
					2 PLC ±0.01			Dimensional Drawing		
					3 PLC ±0.005					
					4 PLC ±0.0001					
					ANGLES ±-					
LTR					SURFACE TEXTURE					
REVISION RECORD					SCALE			DRAWING NO		
DATE					4:1			C - 1462036-1		
DWN					SIZE/FMT			SHEET		
APVD					A4			1 OF 1		
								REV		
								A7		

THIS DRAWING IS A CONTROLLED DOCUMENT.