

THIS DRAWING IS UNPUBLISHED.

RELEASED FOR PUBLICATION

,19 .

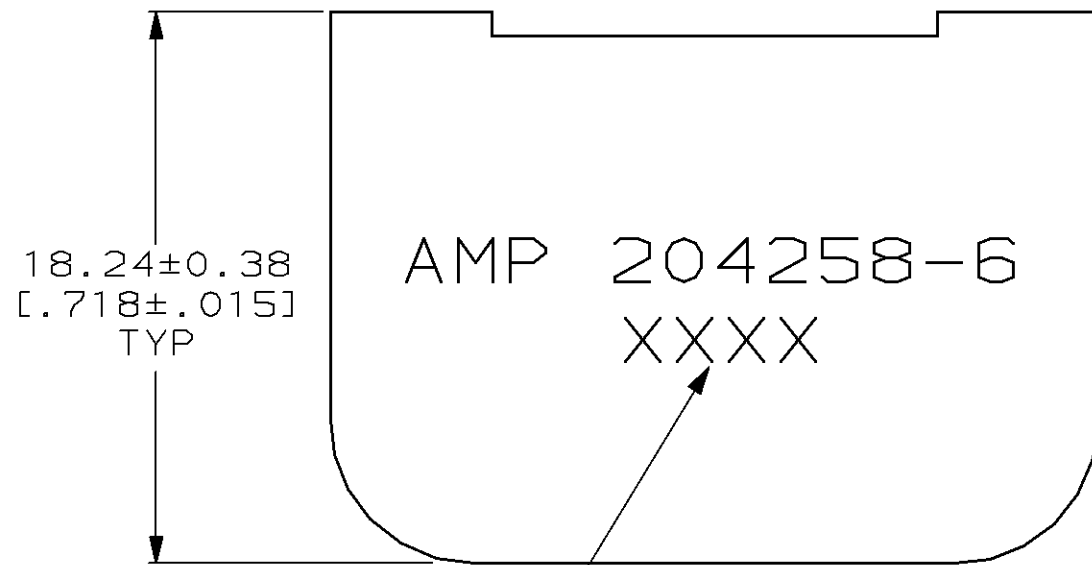
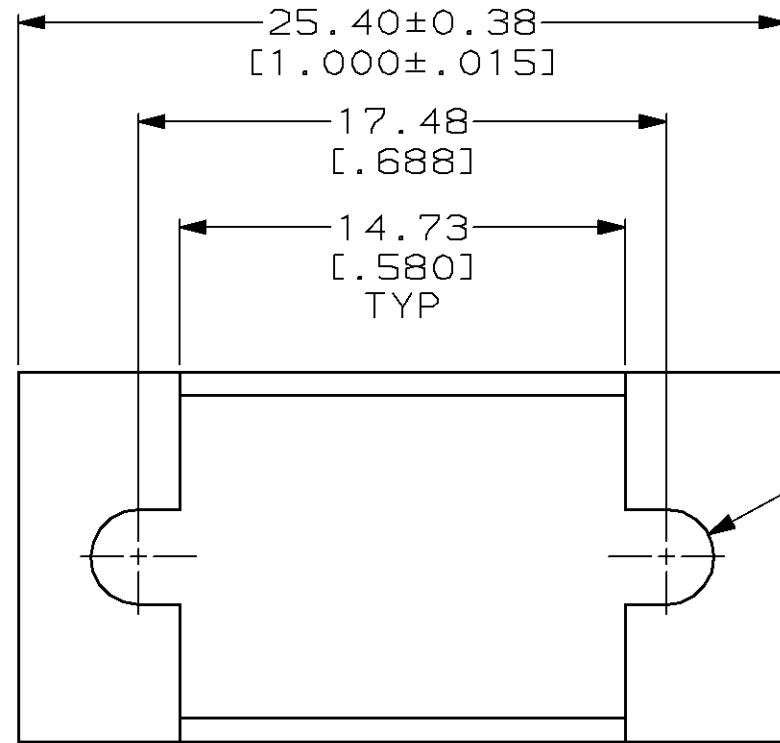
© COPYRIGHT 19

BY AMP INCORPORATED. ALL RIGHTS RESERVED.

LOC FT DIST 8

REVISIONS

P	LTR	DESCRIPTION	DATE	DWN	APVD
C		REDRAWN W/O CHANGE PER EC 0020-292-96	29 APR 96	BC	GS



1.57 [.062] R TYP

DATE CODE

12.70±0.51 [.500±.020]

204258-6

PART NUMBER

THIS DRAWING IS A CONTROLLED DOCUMENT.

DIMENSIONS:	TOLERANCES UNLESS OTHERWISE SPECIFIED:
mm [INCHES]	
0 PLC	±-
1 PLC	±-
2 PLC	±0.13 [.005]
3 PLC	±-
4 PLC	±-
ANGLES	±-
MATERIAL	FINISH
CARBON STEEL	5.08µm [.000200]
	MIN NICKEL PER QQ-N-290

DWN	B. CARBO	29 APR 96
CHK	R. STONE	16 MAY 96
APVD	G. STEINHAUER	22 AUG 96
PRODUCT SPEC	-	
APPLICATION SPEC	-	
WEIGHT	-	
CUSTOMER DRAWING		

AMP		AMP Incorporated Harrisburg, PA 17105-3608	
NAME PIN HOOD, 6 POSITION, MINIATURE RECTANGULAR, W/O SHIELD, M SERIES			
SIZE	CAGE CODE	DRAWING NO	
A3	00779	C-204258	
SCALE	SHEET	OF	REV
4:1	1	1	C