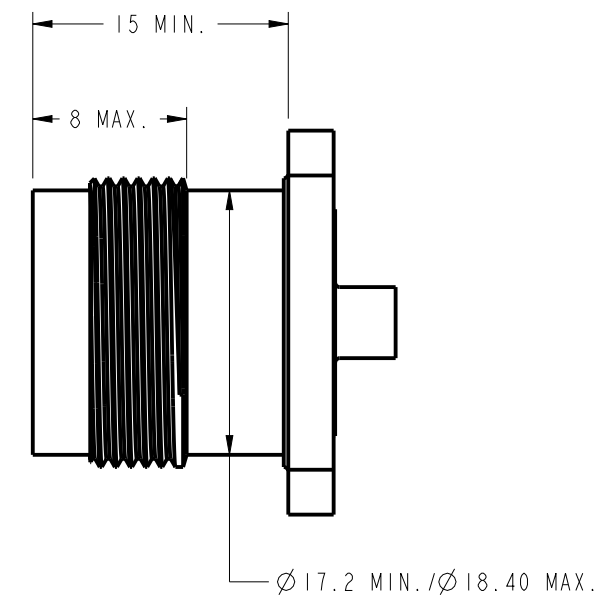
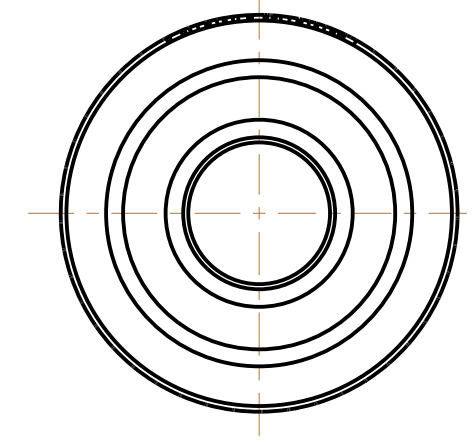
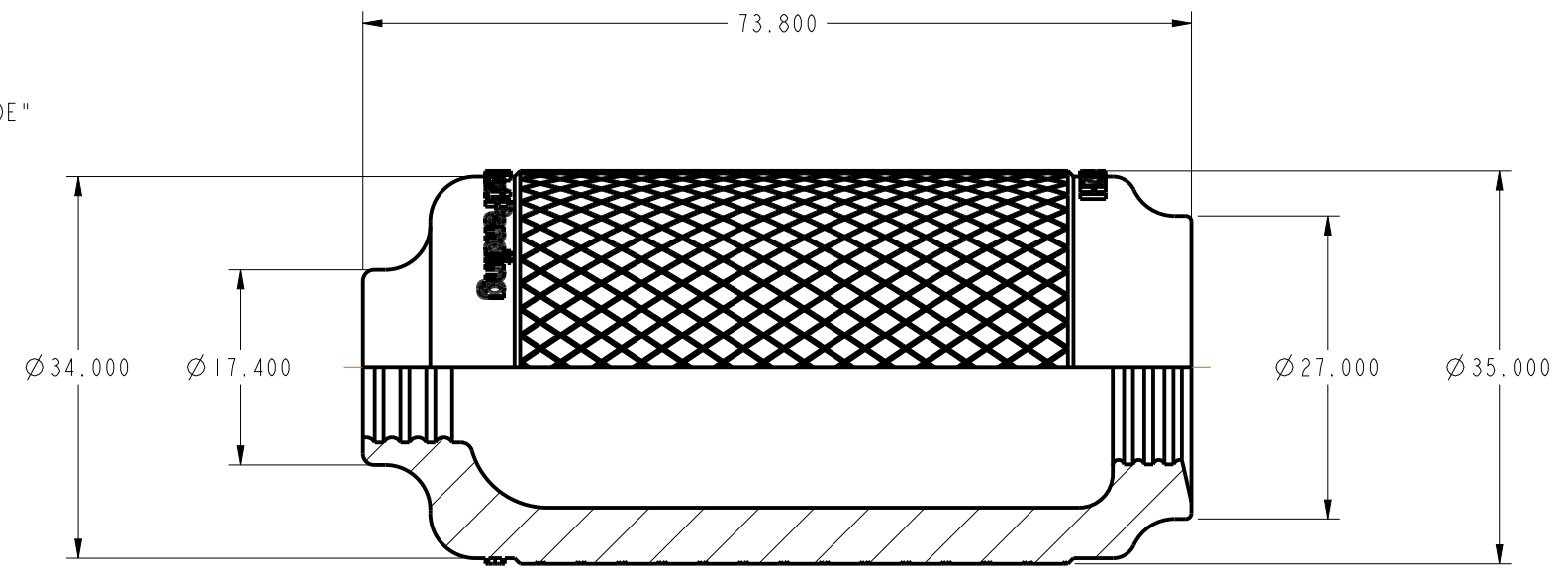


- NOTES:
- MATERIALS AND FINISHES:  
RUBBER
  - ENVIRONMENTAL:
    - UV RESISTANT (1120W/960H)
    - LIFE: 10 YEARS
    - WORKING TEMPERATURE: -55°C TO 155°C
    - ACID ALKALI RESISTANT
    - WATERPROOFING STANDARD: IP-67
  - PACKAGING:
    - QUANTITY: SINGLE PACK
    - MARKING: BAG TO BE MARKED  
"AMPHENOL, 431-10002, AND DATE CODE"

THIRD ANGLE PROJ.

REVISIONS

REV	DESCRIPTION	DATE	ECO	APPR
A	RELEASE TO MFG.	11/4/16	02343	KCE



MATING JACK REQUIREMENTS  
(NOT INCLUDED)



**CUSTOMER OUTLINE DRAWING**  
ALL OTHER SHEETS ARE FOR INTERNAL USE ONLY

UNLESS OTHERWISE SPECIFIED, DIMENSIONS ARE IN METRIC AND TOLERANCES ARE: <0.5mm ±0.05mm    0.5 - 6mm ±0.1mm    6 - 30mm ±0.2mm    30 - 120mm ±0.3mm    ANGLES ±1°	MATERIAL	DRAWN K. ELMES	DATE 21-Sep-16	TITLE 4.1/9.5 & 4.3/10 - 1/2" H WPS BOOT	Amphenol RF www.amphenolrf.com
	NOTICE - These drawings, specifications, or other data (1) are, and remain the property of Amphenol corp. (2) must be returned upon request; and (3) are confidential and not to be disclosed to any person other than those to whom they are given by Amphenol Corp. the furnishing of these drawings, specifications, or other data by Amphenol Corp., or to any other person to anyone for any purpose is not to be regarded by implication or otherwise in any manner licensing, granting rights to permitting such holder or any other person to manufacture, use or sell any product, process or design, patented or otherwise, that may in any way be related to or disclosed by said drawings, specifications, or other data.	REFERENCE EAR# 7408  CONFIGURATION LEVEL: In Work	ENGINEER K. ELMES		
	FINISH	APPROVED K. CAPOZZI	DATE 11/4/16	SCALE: 1.0:1.0    SHEET 2 OF 2	
		CAD FILE		DWG SIZE B	REV A