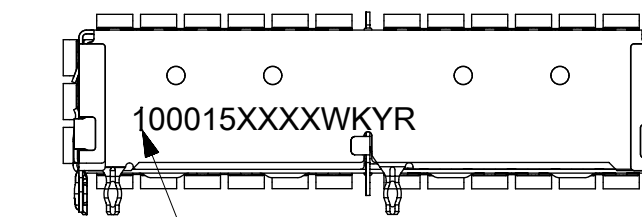
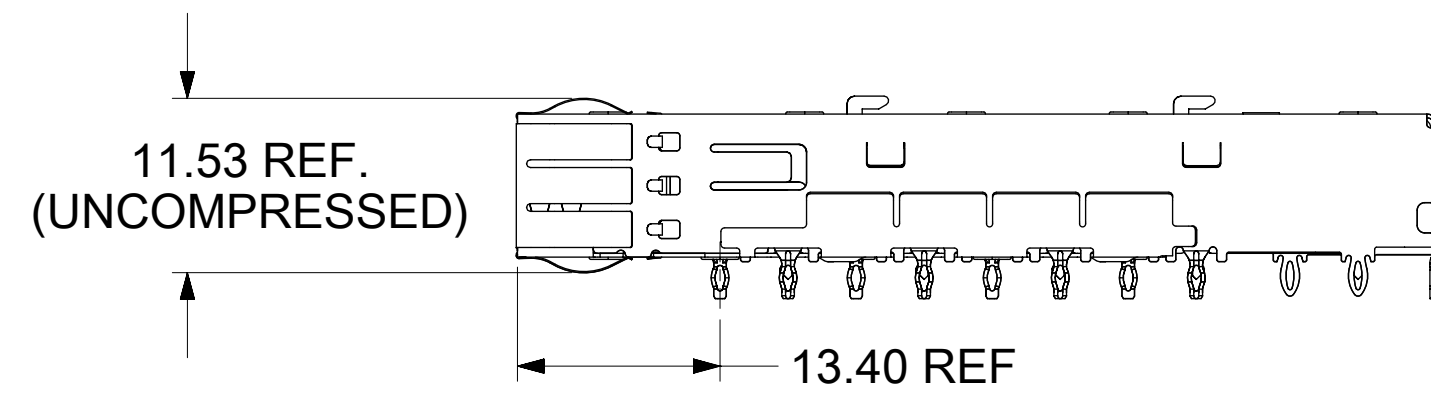
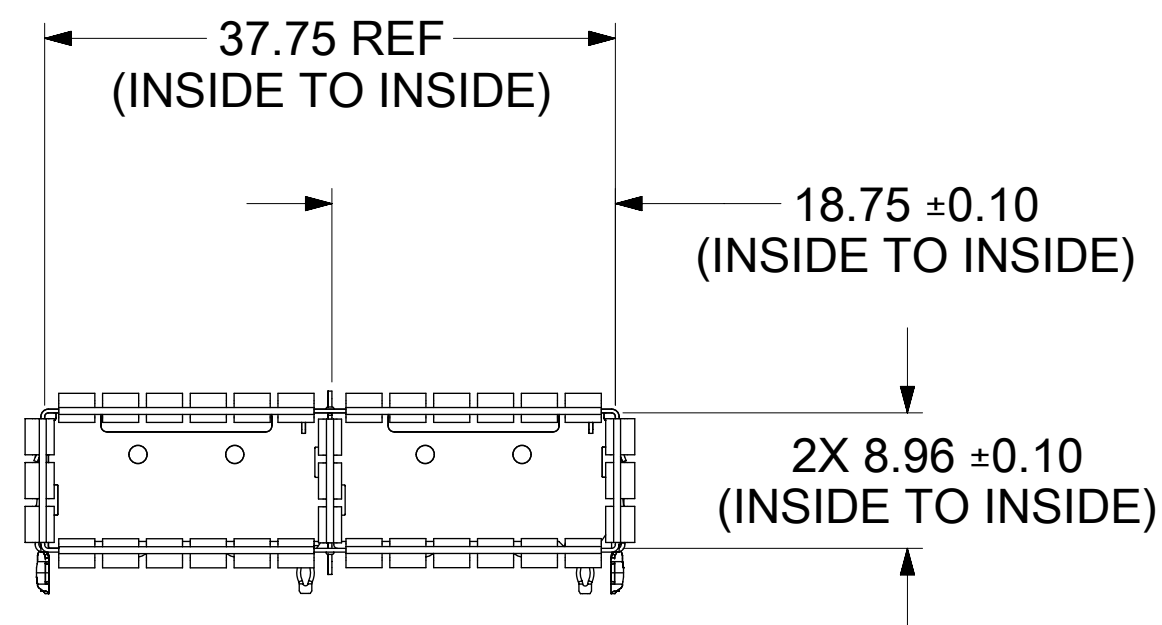
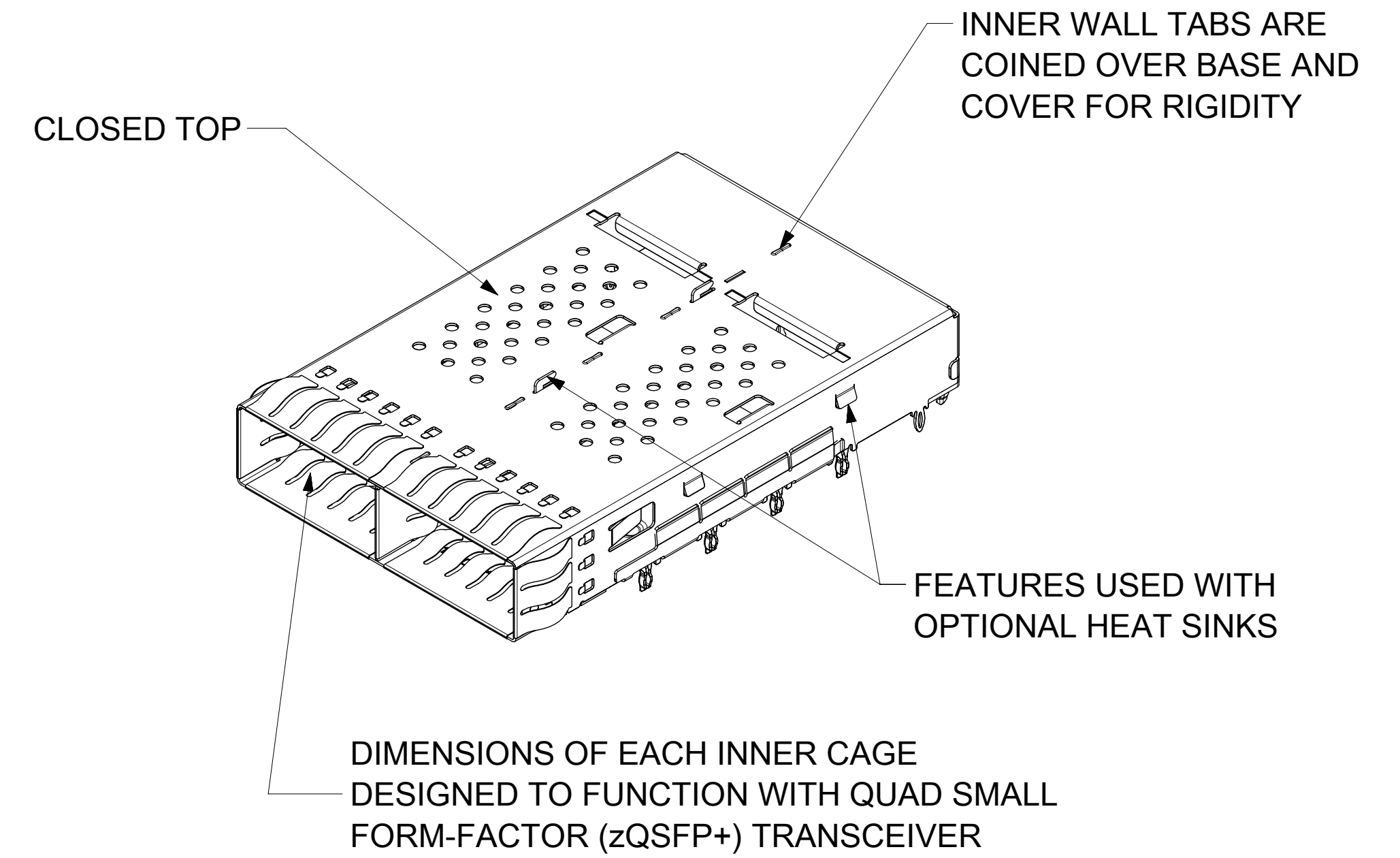
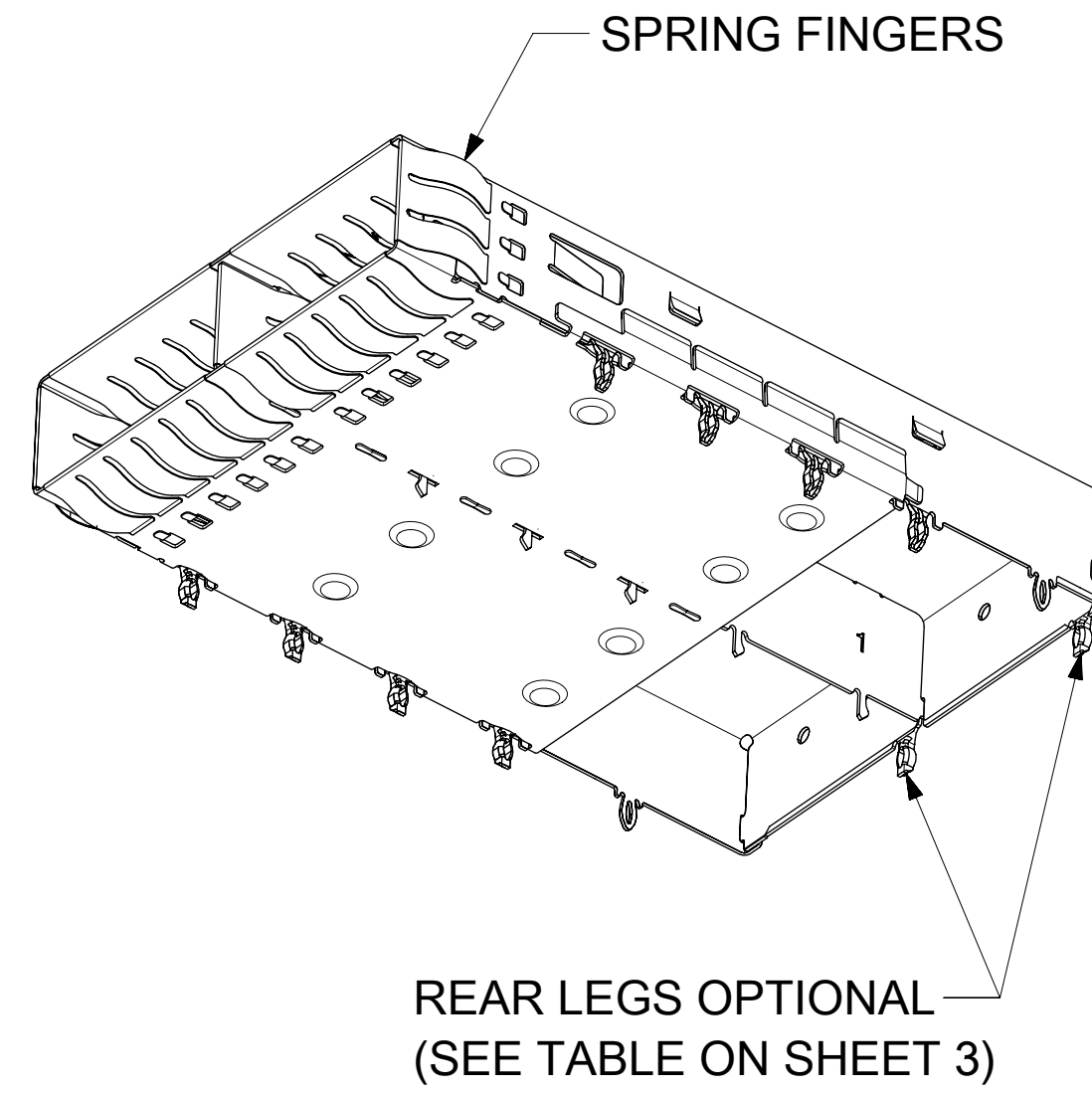
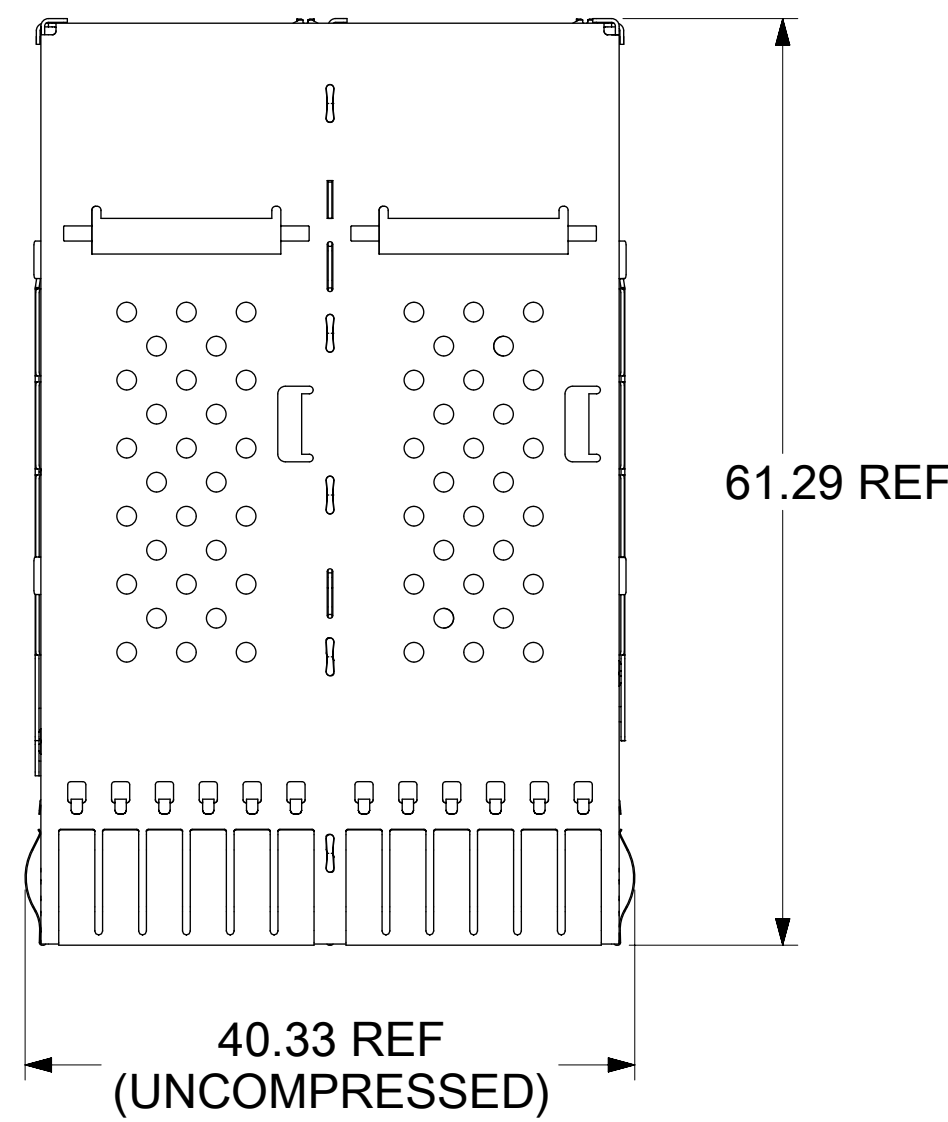


BASIC CAGE DETAILS

1000151242 SHOWN



P/N AND WEEK/YEAR DATE CODE TO BE PRINTED ON BACK OF COMPLETED CAGE ASSEMBLY APPROXIMATELY AS SHOWN. SEE TABLE BELOW FOR DATE CODE INFORMATION.

WEEK/YEAR DATE CODE TABLE	
WK	WEEK OF THE YEAR 01 THRU 52 (EXAMPLE: 01= FIRST WEEK OF YEAR 52= LAST WEEK OF YEAR)
YR	21, 22, 23 ETC.. (EXAMPLE: YEAR 2021= 21)

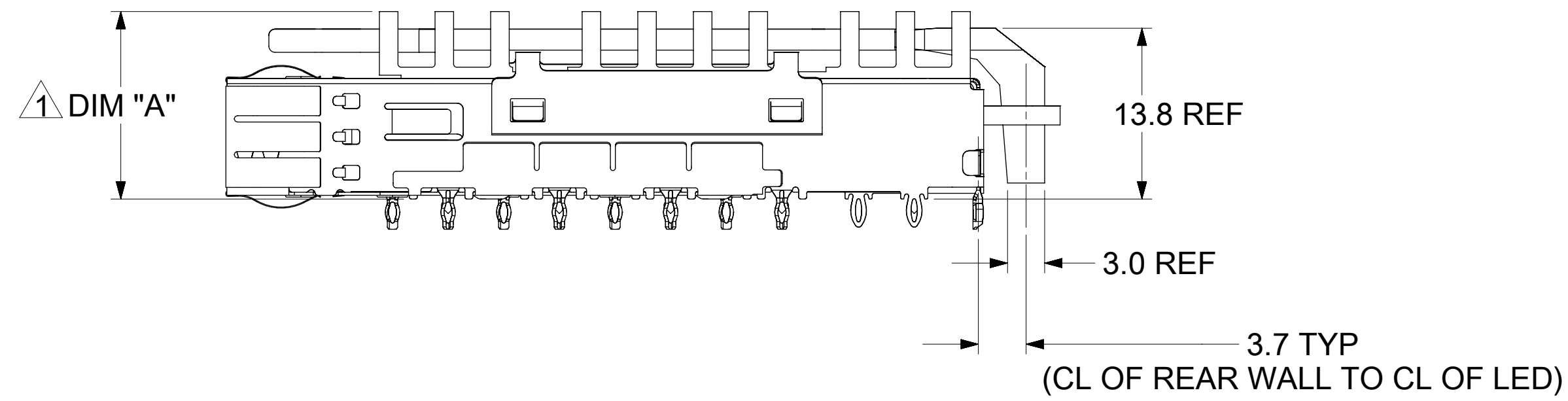
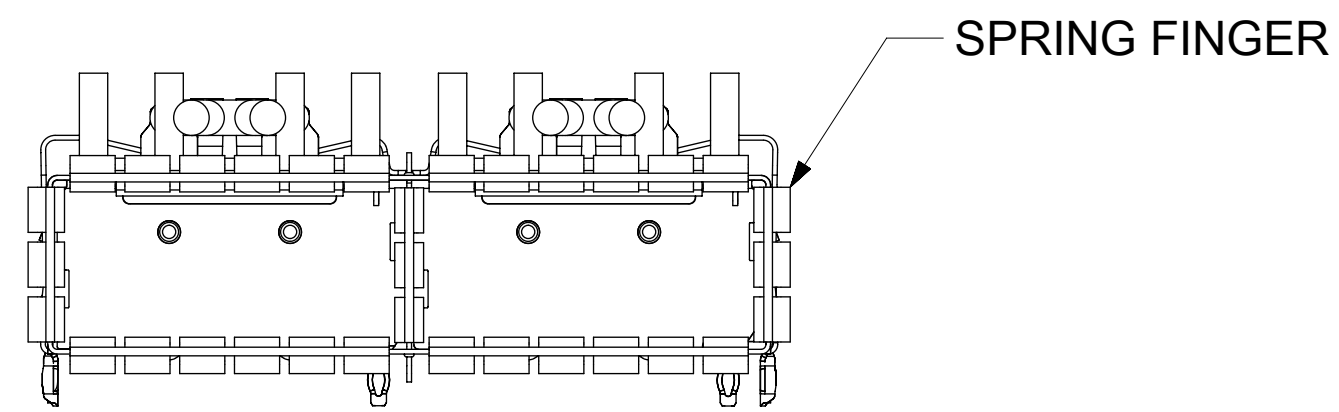
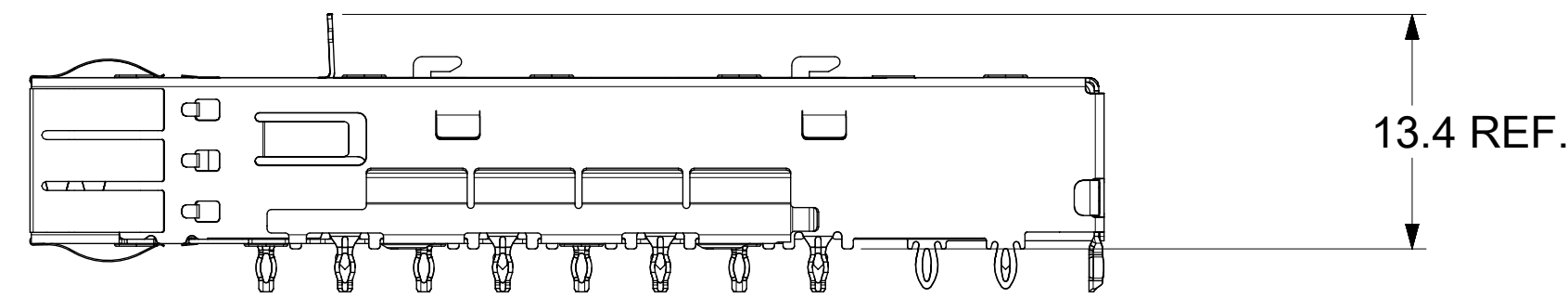
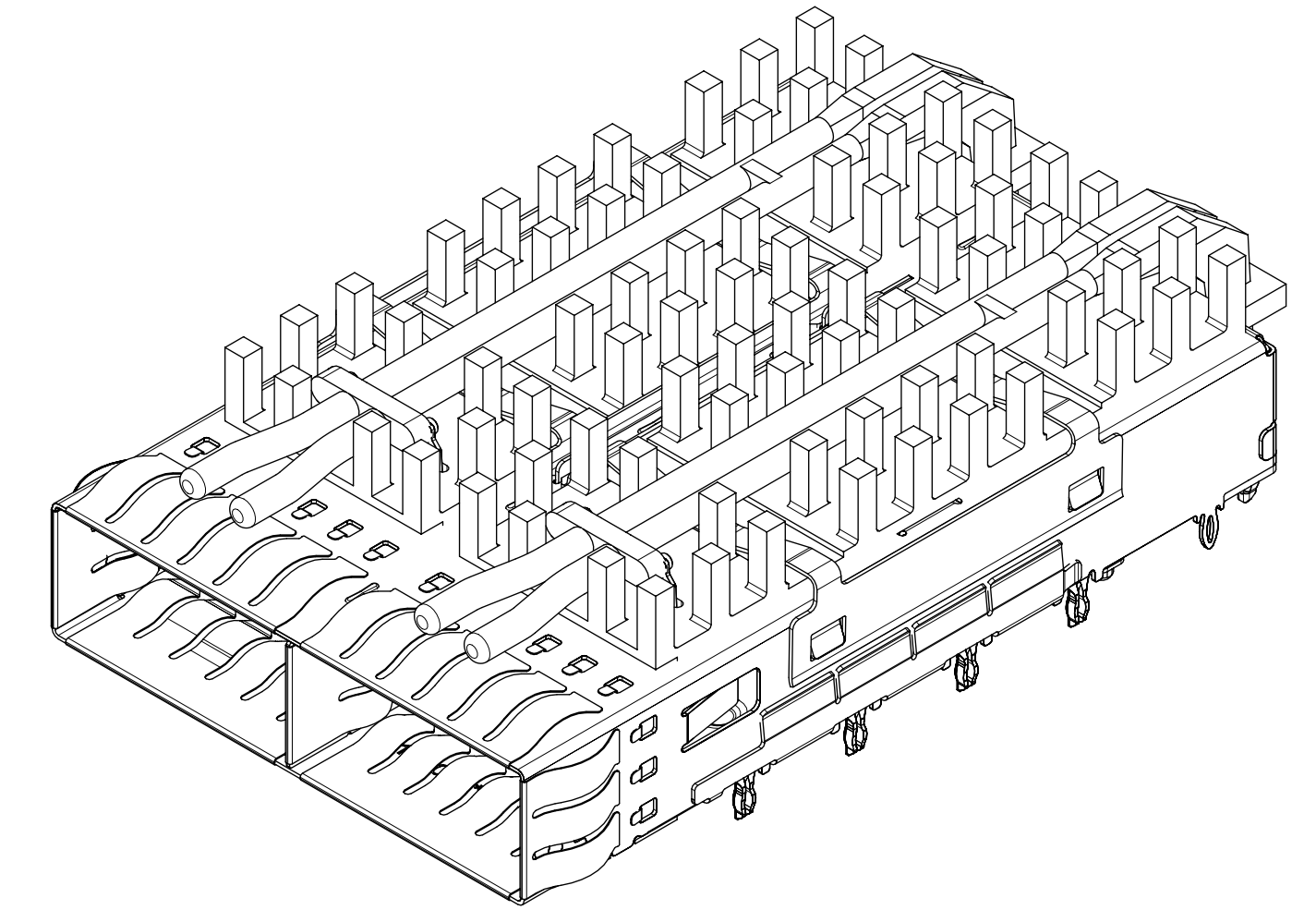
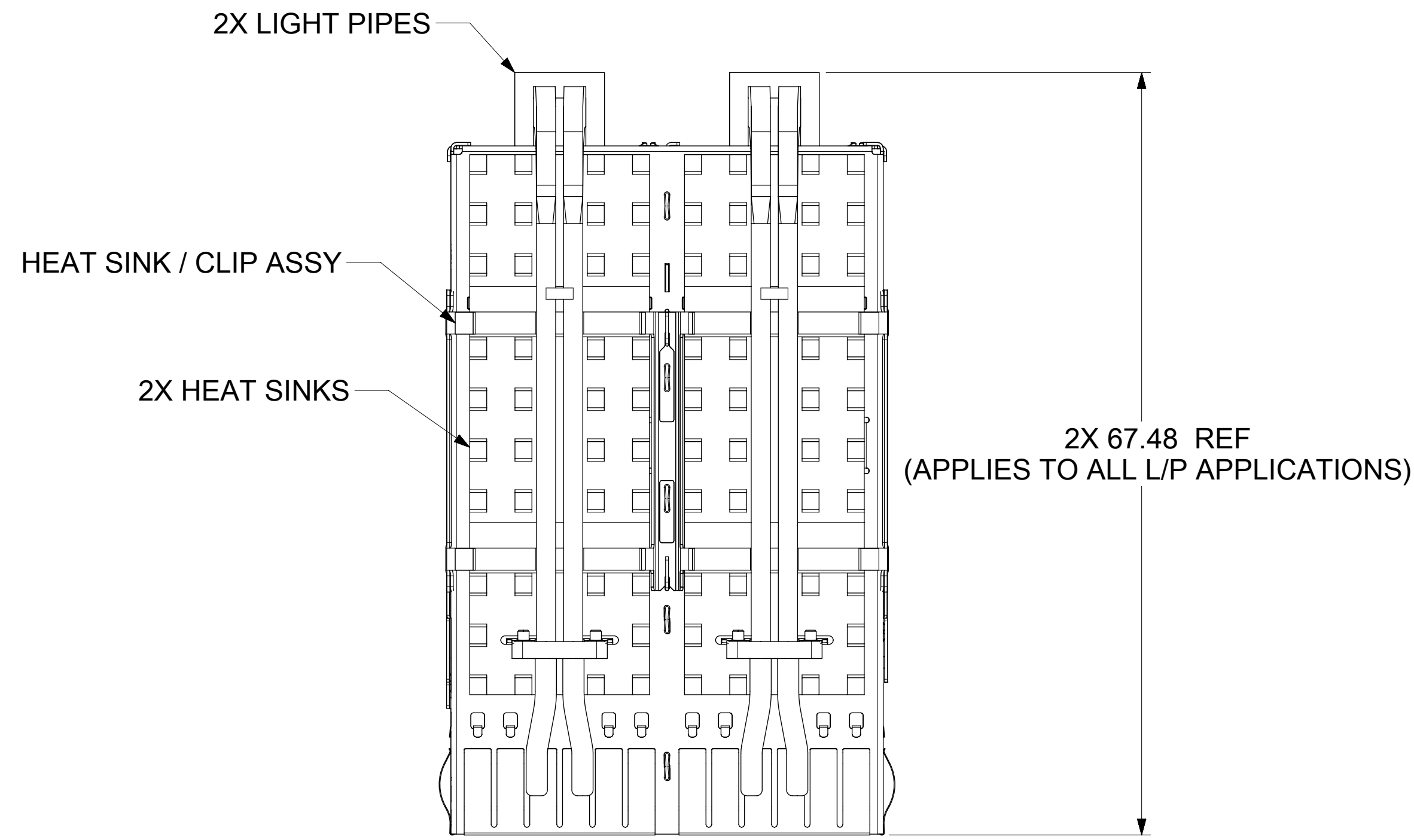
- NOTES:
- MATERIAL: CAGE: STAINLESS STEEL
CENTER WALLS: STAINLESS STEEL
SPRING FINGERS: COPPER ALLOY; NICKEL PLATED
HEAT SINKS: NICKEL PLATED ALUMINUM
HEAT SINK CLIP: STAINLESS STEEL
LIGHT PIPES: POLYCARBONATE (UL 94V-0)
 - DRAWING APPLIES TO ALL P/N'S SHOWN ON PAGE 3
 - DURING FINAL INSPECTION, CAGE LEG LOCATIONS AND STRAIGHTNESS MUST BE CHECKED USING APPROPRIATE GO - NO GO GAGE
 - DURING FINAL INSPECTION, CAGE MUST BE INSPECTED TO MAKE SURE LEG CONFIGURATIONS AND PART NUMBERS ARE CORRECT, USE SHEETS 3, 4 AND 5
 - PARTS TO BE INSPECTED PER MOLEX COSMETIC SPEC WI-HP-7-2774 (CLASS B UNLESS OTHERWISE SPECIFIED)
 - PRESS-FIT LEGS 2.44 LONG -
1.57 MINIMUM PCB THICKNESS FOR SINGLE SIDED USE.
2.70 MINIMUM PCB THICKNESS FOR BELLY TO BELLY USE.
 - NO RoHS EXEMPTIONS

FUNCTIONAL SYMBOLS $F_A = 0$ $F_C = 0$ $F_P = 0$	THIS DRAWING CONTAINS INFORMATION THAT IS PROPRIETARY TO MOLEX ELECTRONIC TECHNOLOGIES, LLC AND SHOULD NOT BE USED WITHOUT WRITTEN PERMISSION	SCALE		CURRENT REV DESC:		
	DIMENSION UNITS	mm	2:1			EC NO: 690611 DRWN: DKUMARG 2021/12/30 CHK'D: AMRUTH 2021/12/31 APPR: JCHIANG 2022/01/03
	GENERAL TOLERANCES (UNLESS SPECIFIED)					
	ANGULAR TOL $\pm 2.0^\circ$					
DIVISIONAL SYMBOLS	4 PLACES \pm	3 PLACES \pm	2 PLACES ± 0.13	1 PLACE ± 0.25	0 PLACES \pm	
DRAFT WHERE APPLICABLE MUST REMAIN WITHIN DIMENSIONS		THIRD ANGLE PROJECTION	DRAWING	SERIES	INITIAL REVISION:	
			D-SIZE	100015	DRWN: TKUMARKC 2015/11/27 APPR: RCHEN08 2015/12/18	
DOCUMENT NUMBER	1000151200	DOC TYPE	PSD	DOC PART	ASU	
CUSTOMER	GENERAL MARKET	REVISION	J2	SHEET NUMBER		
SEE P/N TABLE		GENERAL MARKET		1 OF 8		

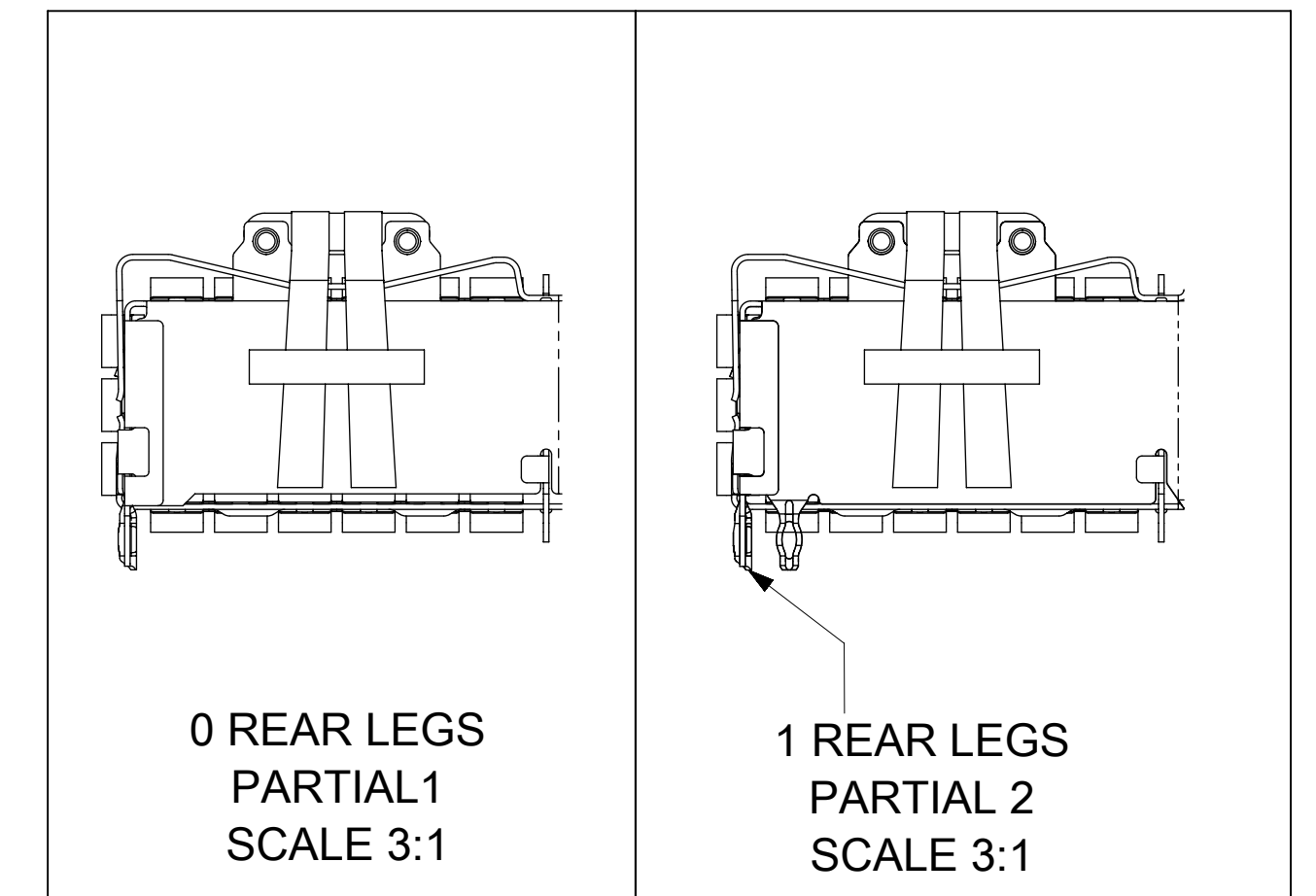
DOCUMENT STATUS	P1	RELEASE DATE	2022/01/03	03:46:33
-----------------	----	--------------	------------	----------

CAGE ASSEMBLY OPTIONS

1000151544 SHOWN



REAR LEG OPTIONS

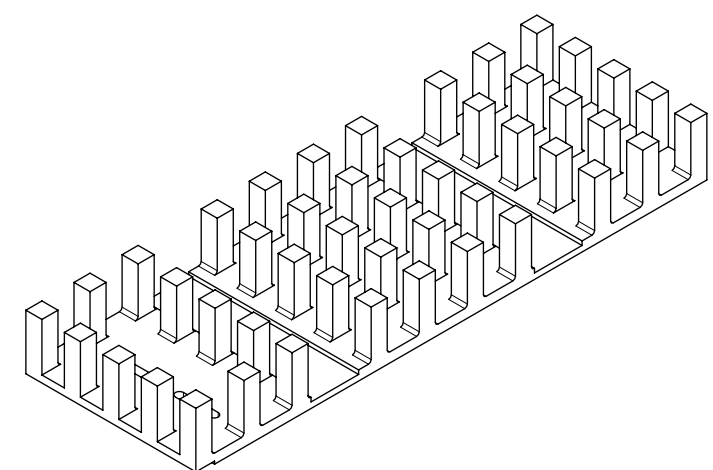


HEATSINK HEIGHT OPTIONS

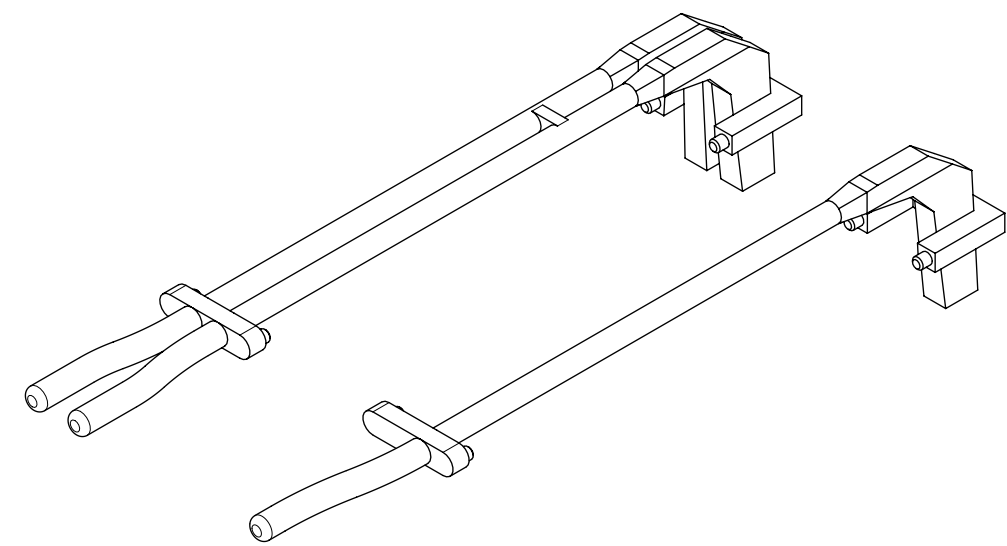
OVERALL HEAT SINK HEIGHT	DIM "A"
PCI	13.7 REF
SAN	16.0 REF
NET	23.0 REF

NOTE:
 △ HEIGHT OF HEAT SINK WITH MODULE INSERTED.
 DIMENSION MAY BE LESS DUE TO MODULE AND HEAT SINK VARIATIONS

HEATSINK
USED
WITHOUT
LIGHTPIPE

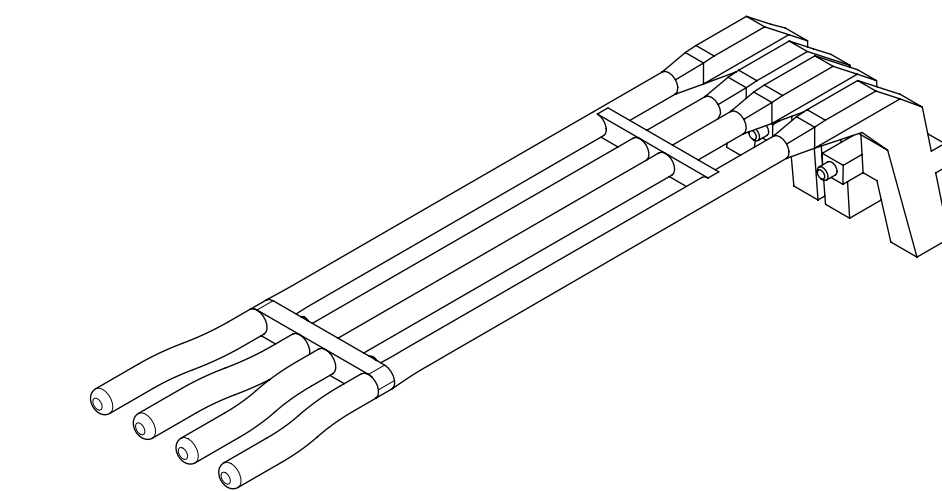


SINGLE / DUAL LIGHT PIPE



HEATSINK

QUAD LIGHT PIPE



HEATSINK

FUNCTIONAL SYMBOLS FA = 0 FE = 0 FP = 0 DIVISIONAL SYMBOLS	THIS DRAWING CONTAINS INFORMATION THAT IS PROPRIETARY TO MOLEX ELECTRONIC TECHNOLOGIES, LLC AND SHOULD NOT BE USED WITHOUT WRITTEN PERMISSION		CURRENT REV DESC:	
	DIMENSION UNITS	SCALE		
	mm	2:1		
	GENERAL TOLERANCES (UNLESS SPECIFIED)			
ANGULAR TOL ± 2.0°				
4 PLACES ±		EC NO: 690611		
3 PLACES ±		DRWN: DKUMARG 2021/12/30		
2 PLACES ± 0.13		CHK'D: AMRUTH 2021/12/31		
1 PLACE ± 0.25		APPR: JCHIANG 2022/01/03		
0 PLACES ±		INITIAL REVISION:		
DRAFT WHERE APPLICABLE MUST REMAIN WITHIN DIMENSIONS		DRWN: TKUMARKC 2015/11/27		
THIRD ANGLE PROJECTION		APPR: RCHEN08 2015/12/18		
DRAWING		SERIES		
D-SIZE		100015		
MATERIAL NUMBER		CUSTOMER		
SEE P/N TABLE		GENERAL MARKET		
DOCUMENT NUMBER		DOC TYPE DOC PART REVISION		
1000151200		PSD ASY J2		
SHEET NUMBER		2 OF 8		

molex

ZQSFP+ 1X2 GANGED CAGE
ASSY'S (SPRING FINGER) WITH H/S & L/P OPTIONS

PRODUCT CUSTOMER DRAWING

DOCUMENT NUMBER DOC TYPE DOC PART REVISION

1000151200 PSD ASY J2

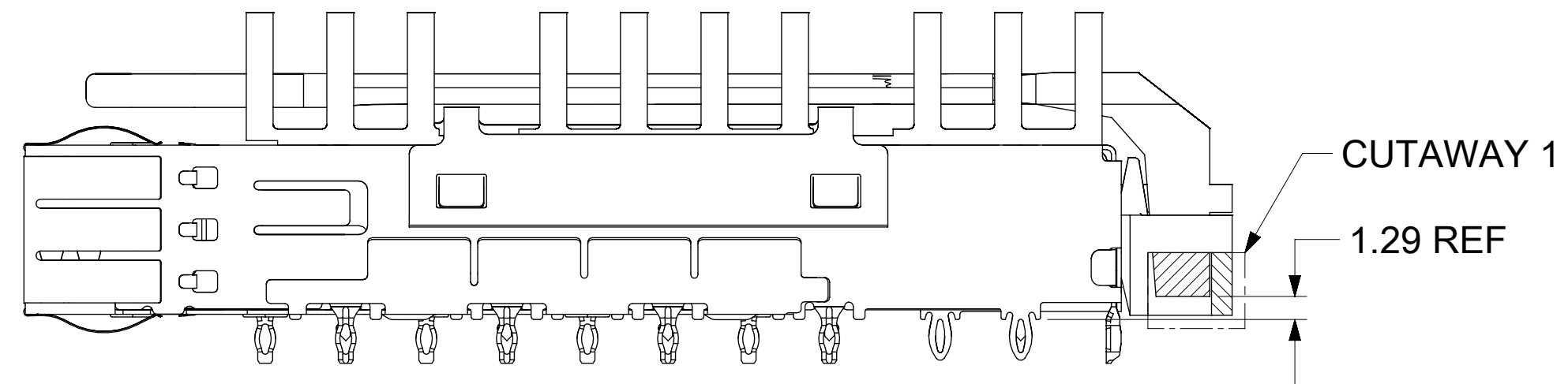
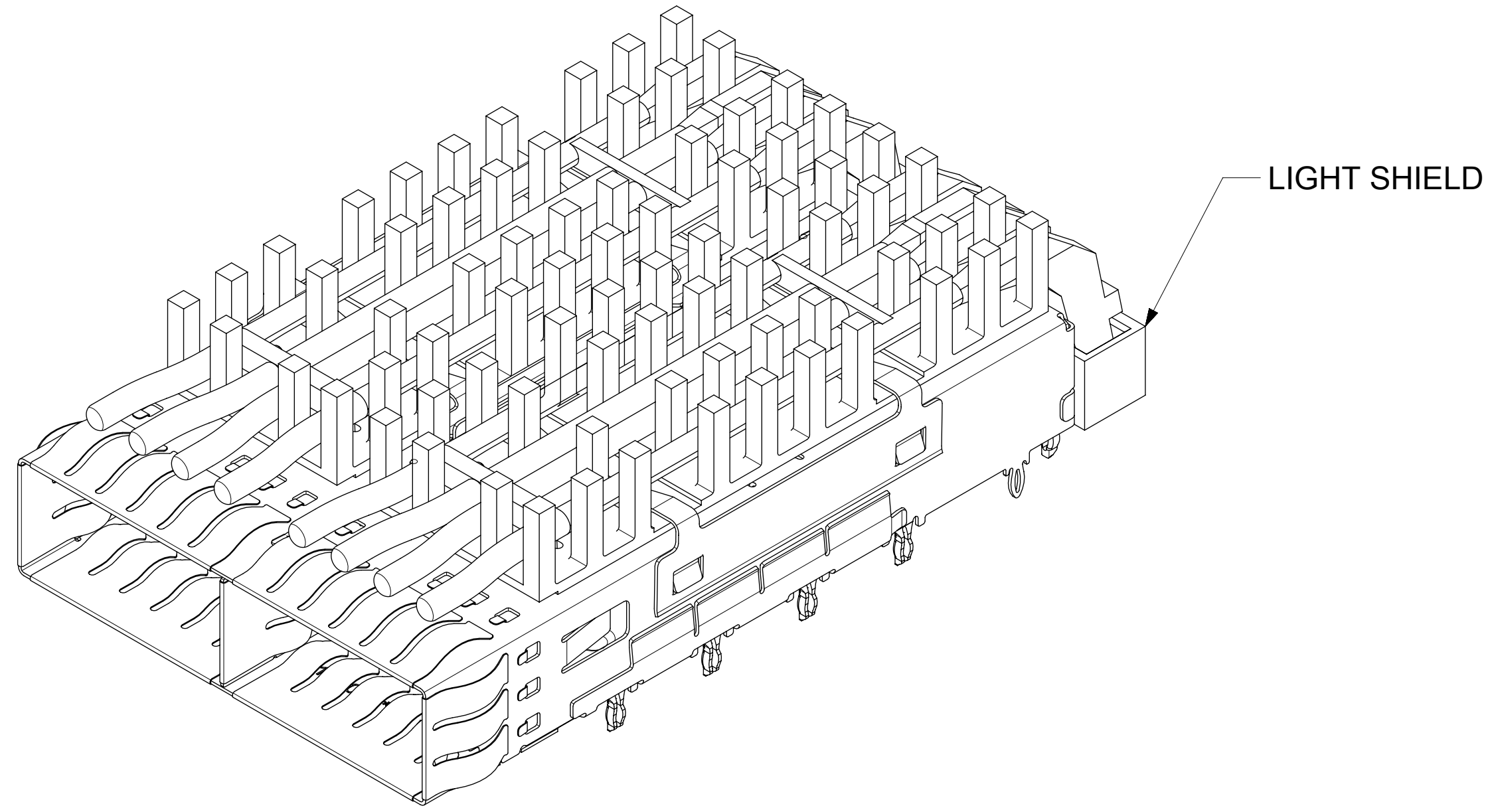
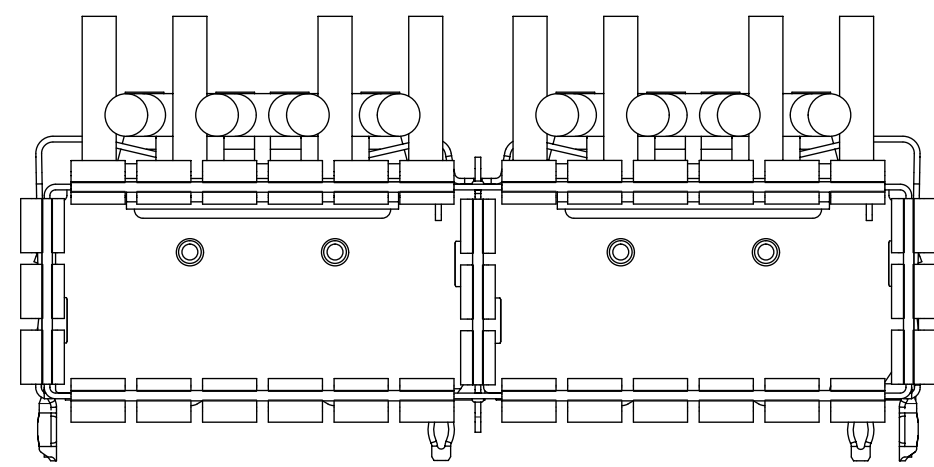
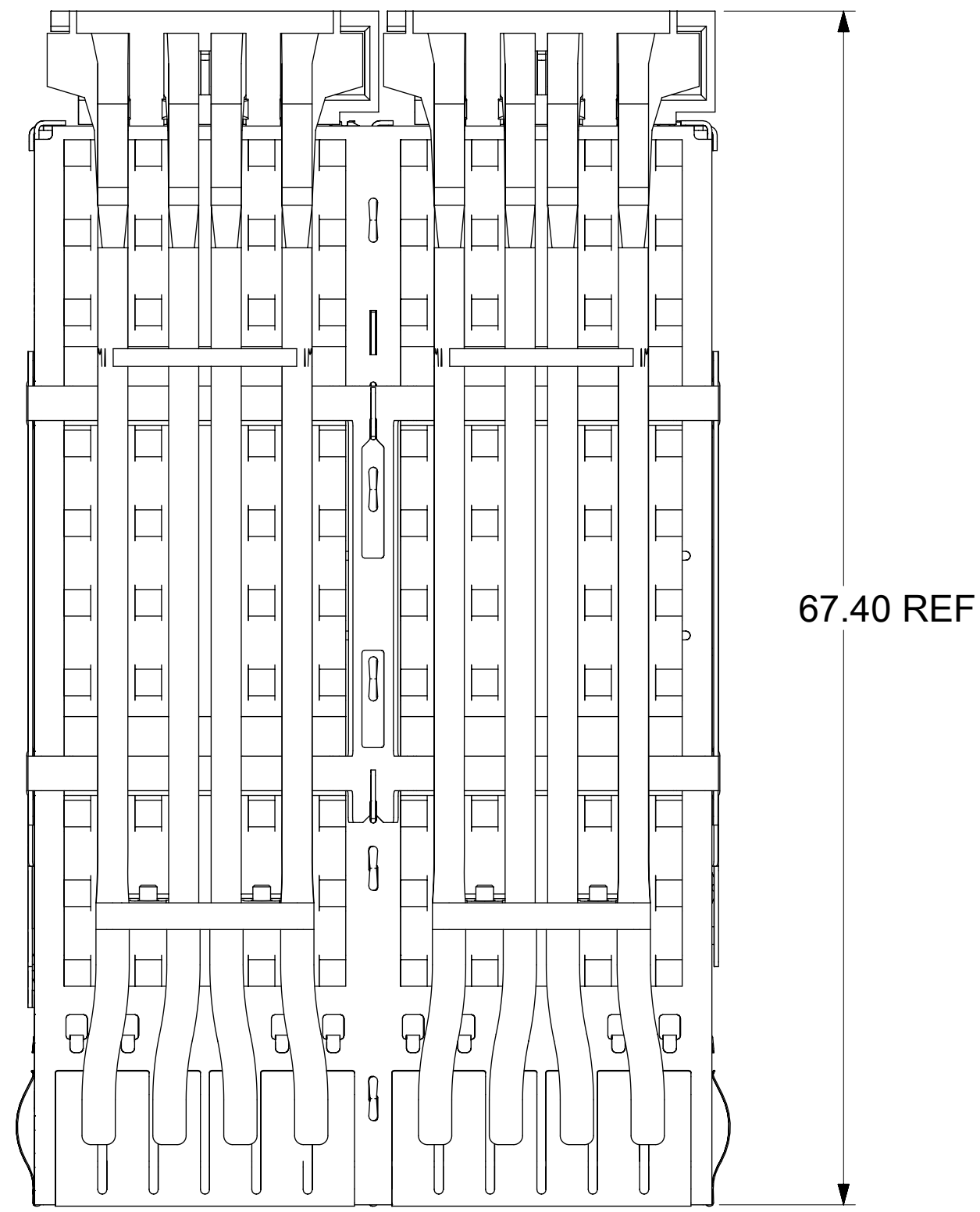
MATERIAL NUMBER CUSTOMER SHEET NUMBER

SEE P/N TABLE GENERAL MARKET 2 OF 8

CAGE ASSEMBLY WITH LIGHT SHIELD

1000151901

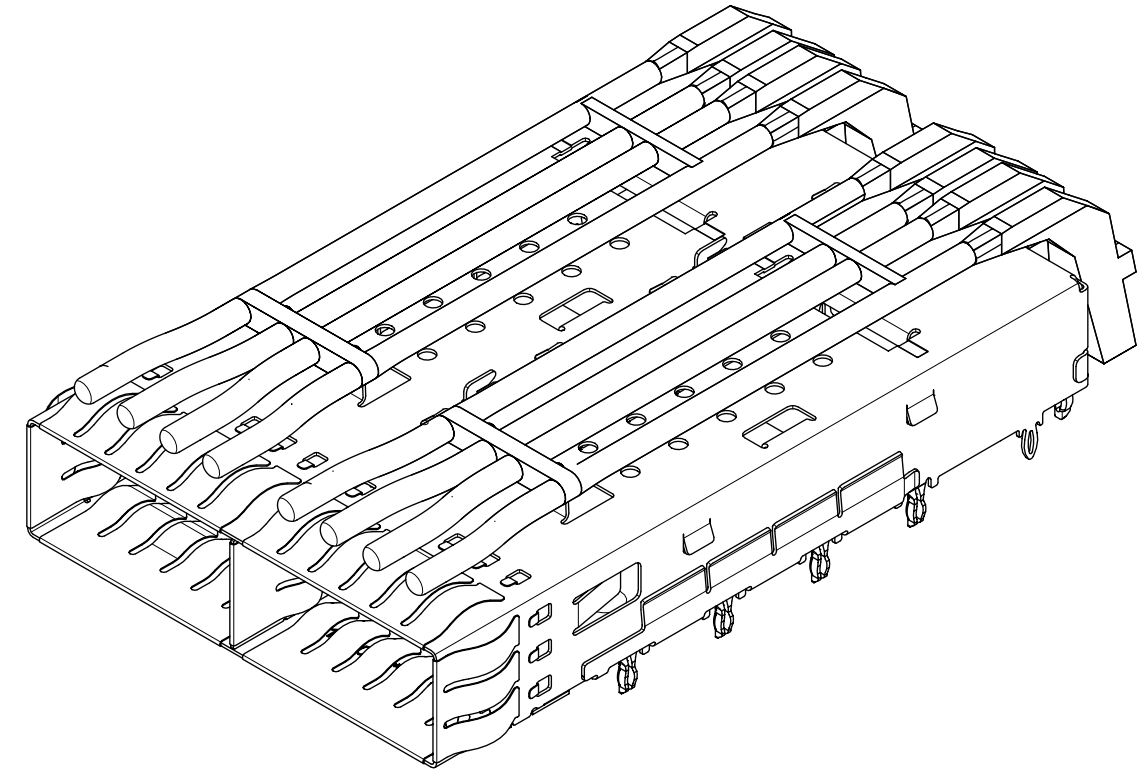
SHOWN



FUNCTIONAL SYMBOLS	THIS DRAWING CONTAINS INFORMATION THAT IS PROPRIETARY TO MOLEX ELECTRONIC TECHNOLOGIES, LLC AND SHOULD NOT BE USED WITHOUT WRITTEN PERMISSION		CURRENT REV DESC:						
	DIMENSION UNITS	SCALE							
$\nabla_A = 0$	mm	3:1	EC NO: 690611 DRWN: DKUMARG 2021/12/30 CHK'D: AMRUTH 2021/12/31 APPR: JCHIANG 2022/01/03 INITIAL REVISION: DRWN: TKUMARKC 2015/11/27 APPR: RCHEN08 2015/12/18		ZQSFP+ 1X2 GANGED CAGE ASSY'S (SPRING FINGER) WITH H/S & L/P OPTIONS				
$\nabla_C = 0$	GENERAL TOLERANCES (UNLESS SPECIFIED)				PRODUCT CUSTOMER DRAWING				
$\nabla_D = 0$	ANGULAR TOL $\pm 2.0^\circ$				DOCUMENT NUMBER				
DIVISIONAL SYMBOLS	4 PLACES	\pm			1000151200		DOC TYPE	DOC PART	REVISION
	3 PLACES	\pm			PSD		ASY	J2	
	2 PLACES	± 0.13	SEE P/N TABLE		GENERAL MARKET		SHEET NUMBER		
	1 PLACE	± 0.25	DRAFT WHERE APPLICABLE MUST REMAIN WITHIN DIMENSIONS				3 OF 8		
	0 PLACES	\pm	THIRD ANGLE PROJECTION						
			DRAWING SERIES						
			D-SIZE 100015						

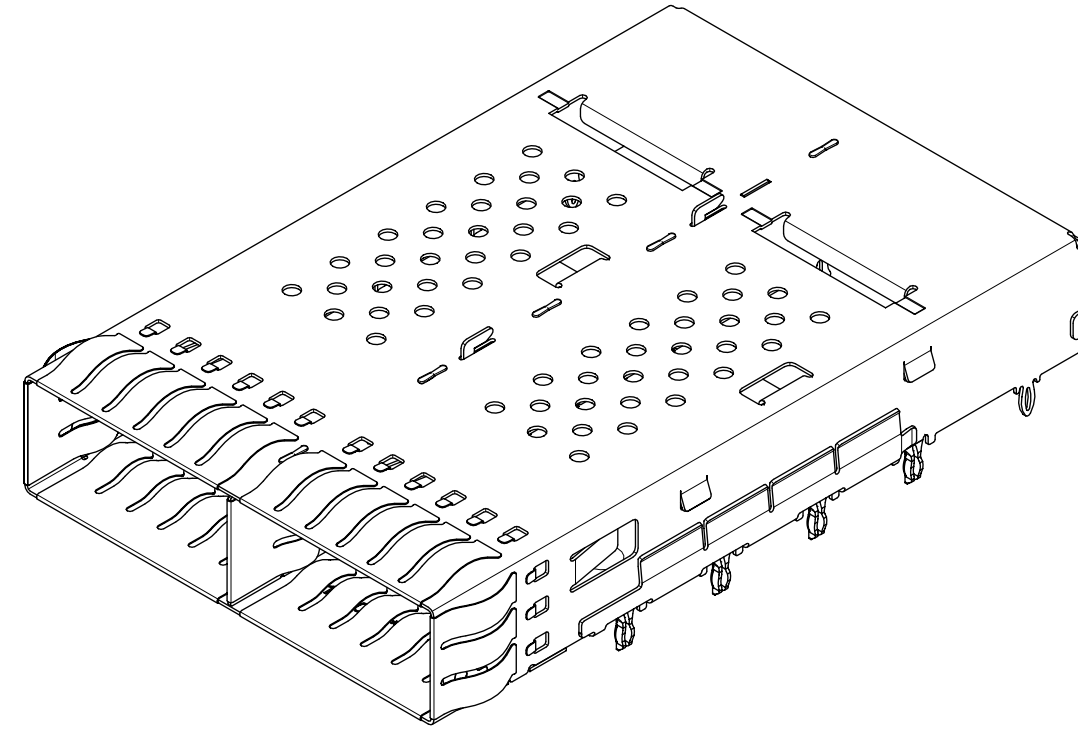
PART NUMBER SELECTION

NO HEATSINKS
WITH LIGHT PIPES
CLOSED TOP



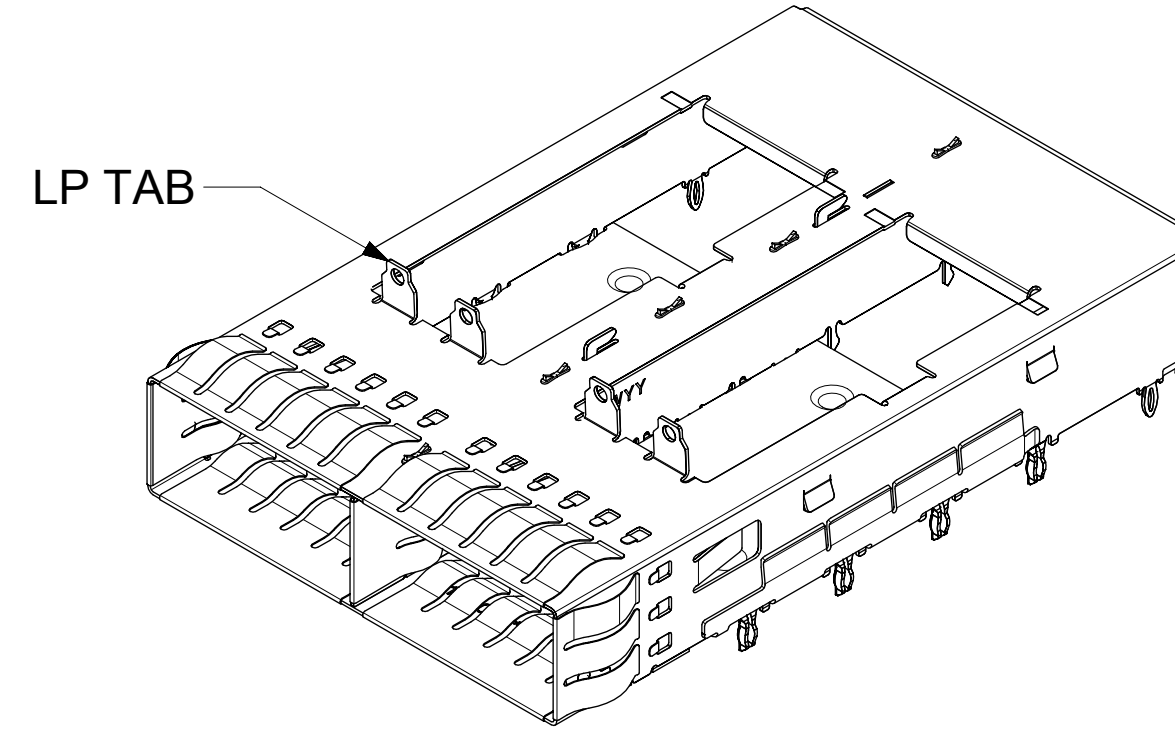
MOLEX P/N	LIGHT PIPES	#OF REAR LEGS PER PORT
1000151231	SINGLE	0
1000151232	SINGLE	1
1000151233	DUAL	0
1000151234	DUAL	1
1000151235	QUAD	0
1000151236	QUAD	1

NO HEATSINKS
NO LIGHT PIPES
CLOSED TOP



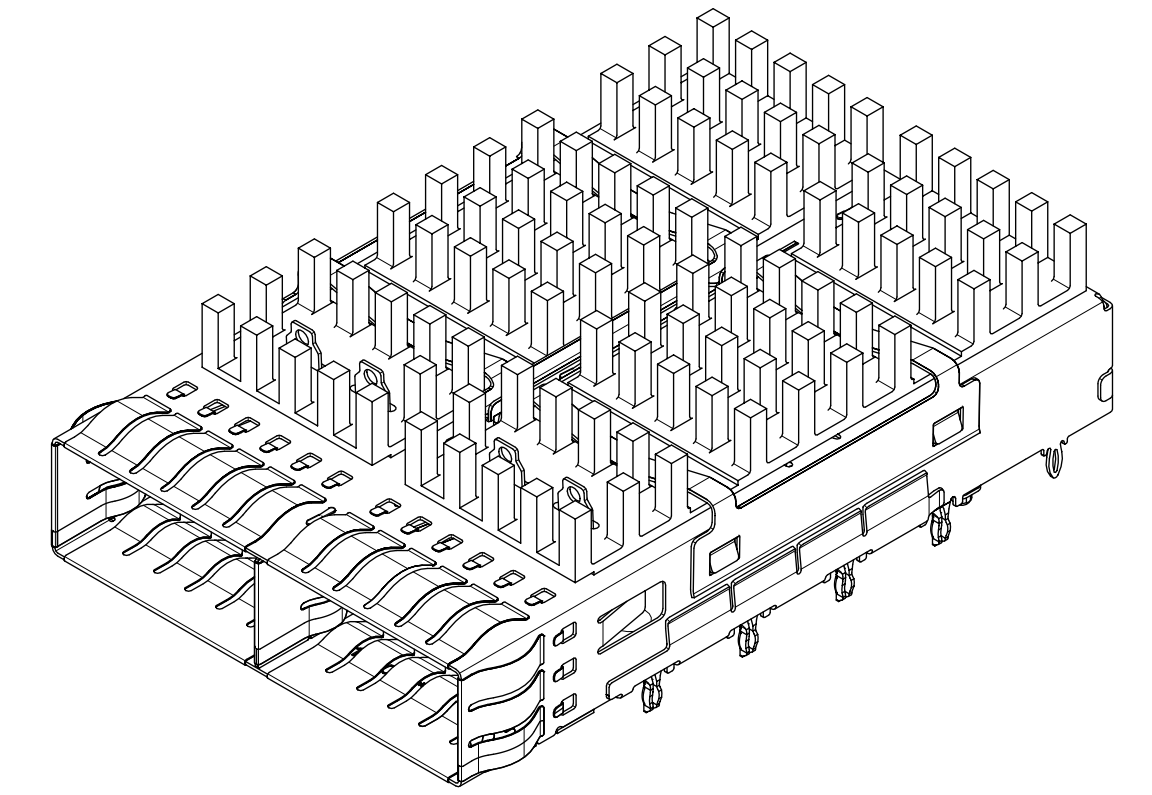
MOLEX P/N W/ SPRING FINGERS	#OF REAR LEGS PER PORT
1000151242	1

NO HEATSINKS
NO LIGHT PIPES
OPEN TOP



MOLEX P/N W/ SPRING FINGERS	#OF REAR LEGS PER PORT	LP TAB
1000151250	0	YES
1000151252	1	YES

WITH HEATSINKS
NO LIGHT PIPES

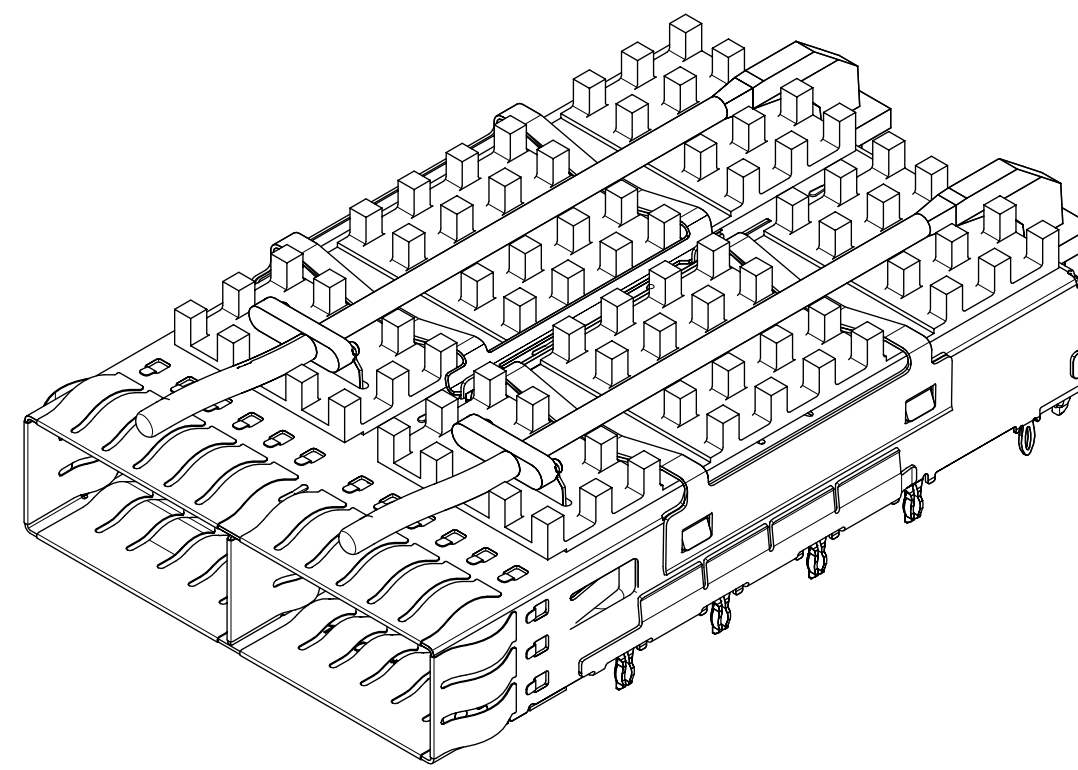


MOLEX P/N	HEAT SINK	#OF REAR LEGS PER PORT
1000151340	PCI	0
1000151341	SAN	0
1000151342	NET	0
1000151343	PCI	1
1000151344	SAN	1
1000151345	NET	1

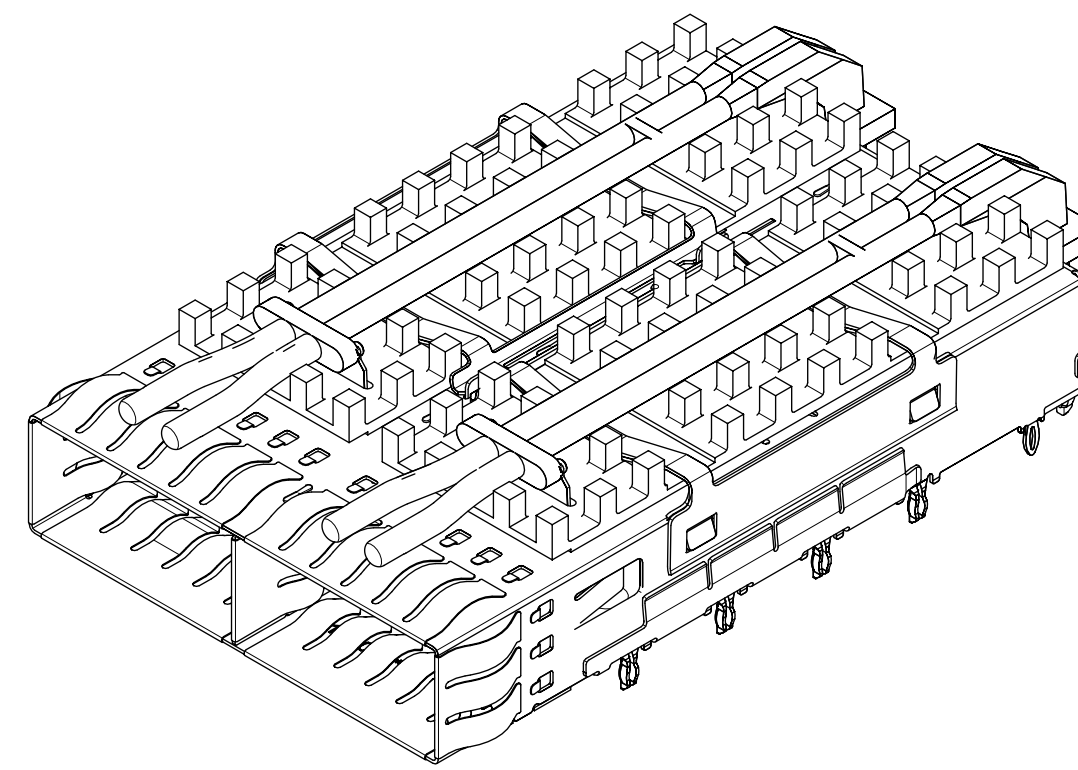
WITH HEATSINKS AND LIGHT PIPES

MOLEX P/N	LIGHTPIPES	HEATSINKS	#OF REAR LEGS PER PORT	LP SHIELD
1000151440	SINGLE	PCI	0	0
1000151442	SINGLE	NET	0	0
1000151443	DUAL	PCI	0	0
1000151444	DUAL	SAN	0	0
1000151445	DUAL	NET	0	0
1000151446	QUAD	PCI	0	0
1000151447	QUAD	SAN	0	0
1000151448	QUAD	NET	0	0
1000151540	SINGLE	PCI	1	0
1000151541	SINGLE	SAN	1	0
1000151543	DUAL	PCI	1	0
1000151544	DUAL	SAN	1	0
1000151545	DUAL	NET	1	0
1000151546	QUAD	PCI	1	0
1000151547	QUAD	SAN	1	0
1000151548	QUAD	NET	1	0
1000151901	QUAD	CUSTOM (A=18.0 REF)	0	2

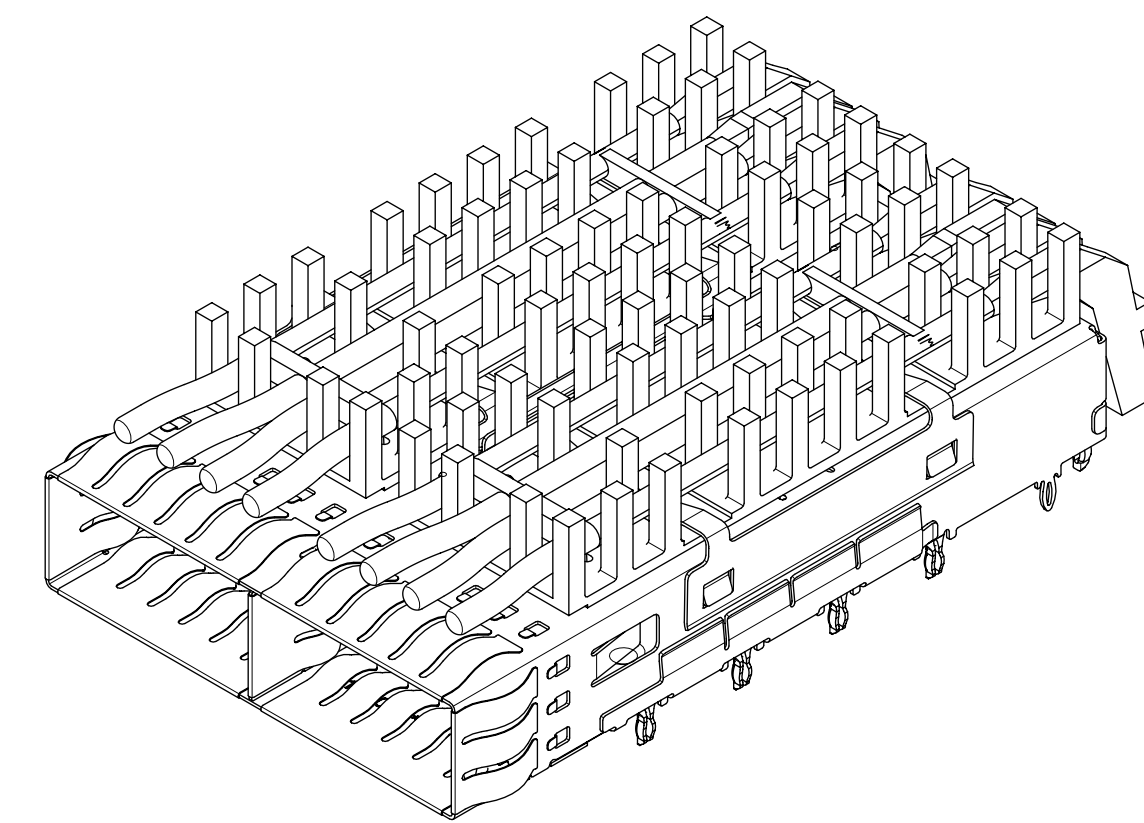
SINGLE LIGHT PIPE



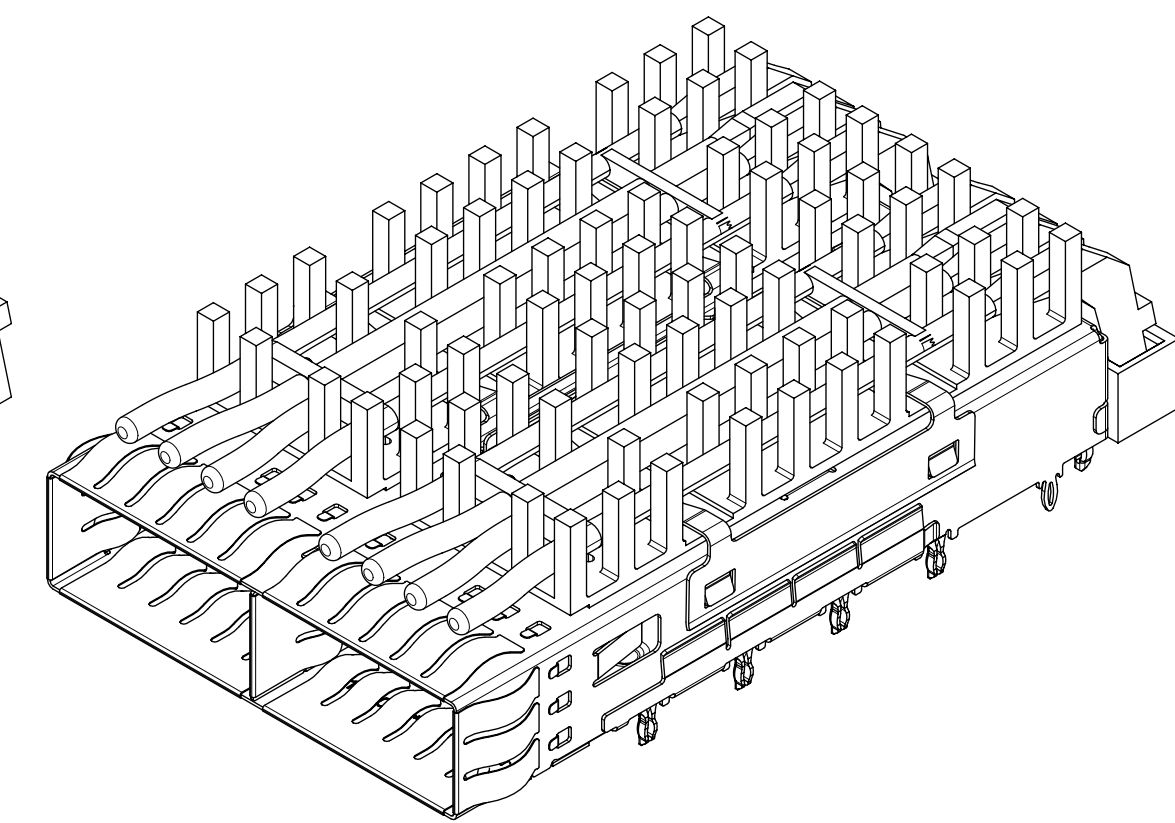
DUAL LIGHT PIPE



QUAD LIGHT PIPE



QUAD LIGHT PIPE
WITH LIGHT SHIELD

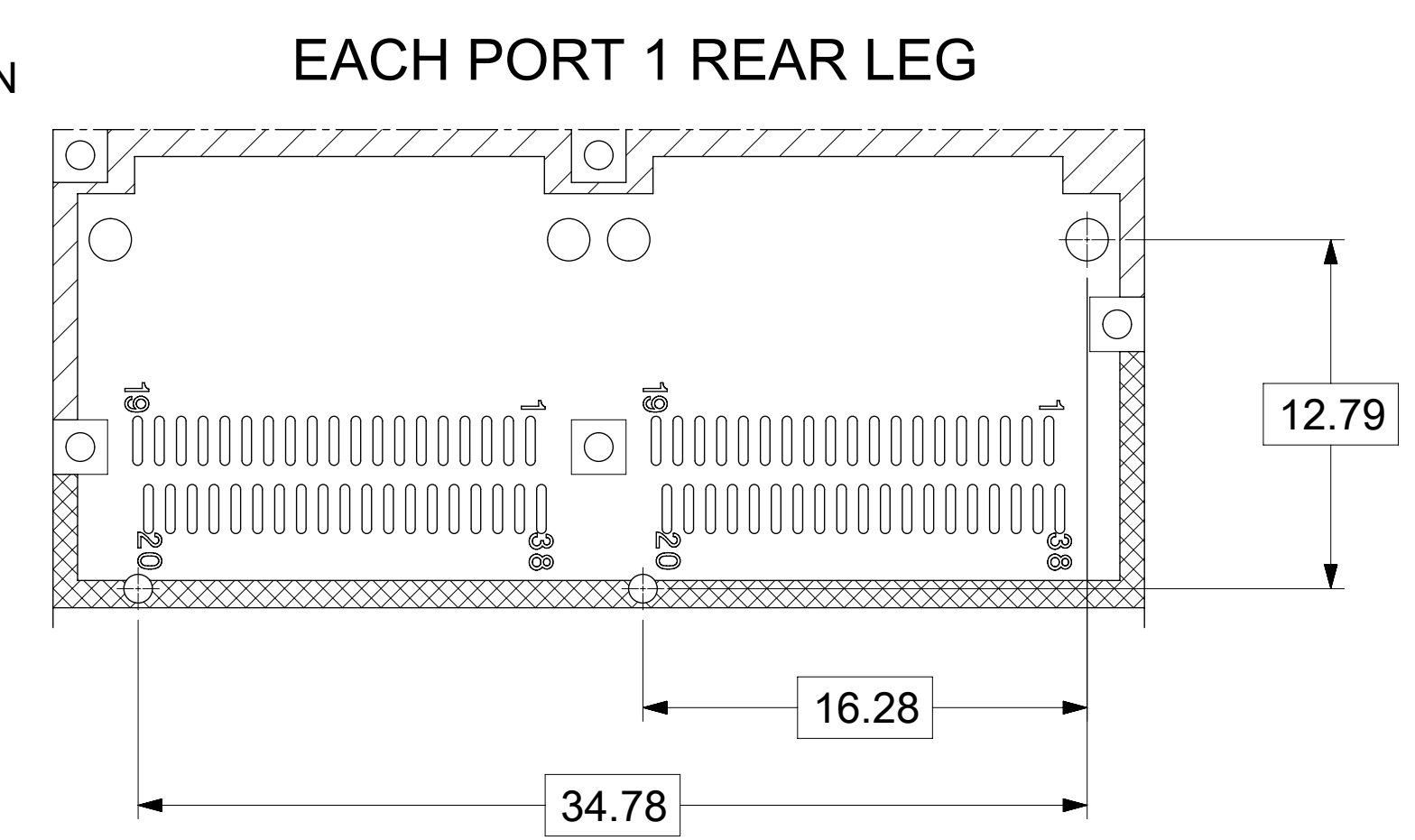
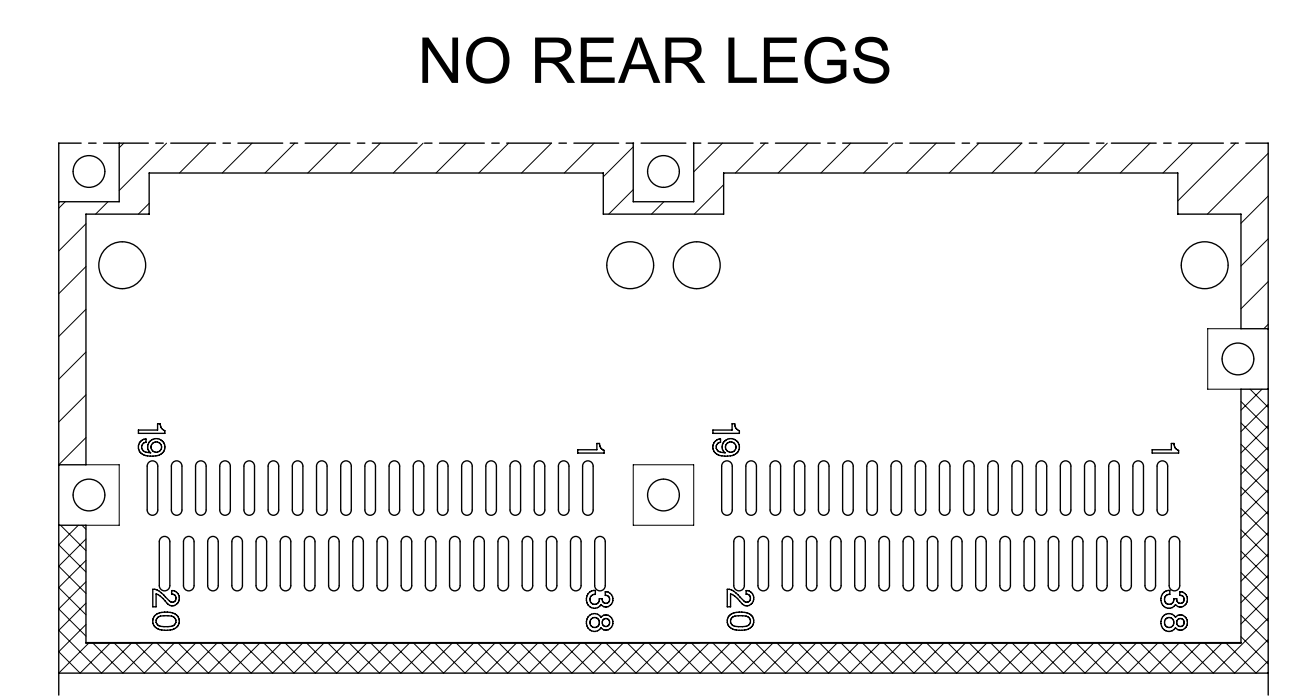
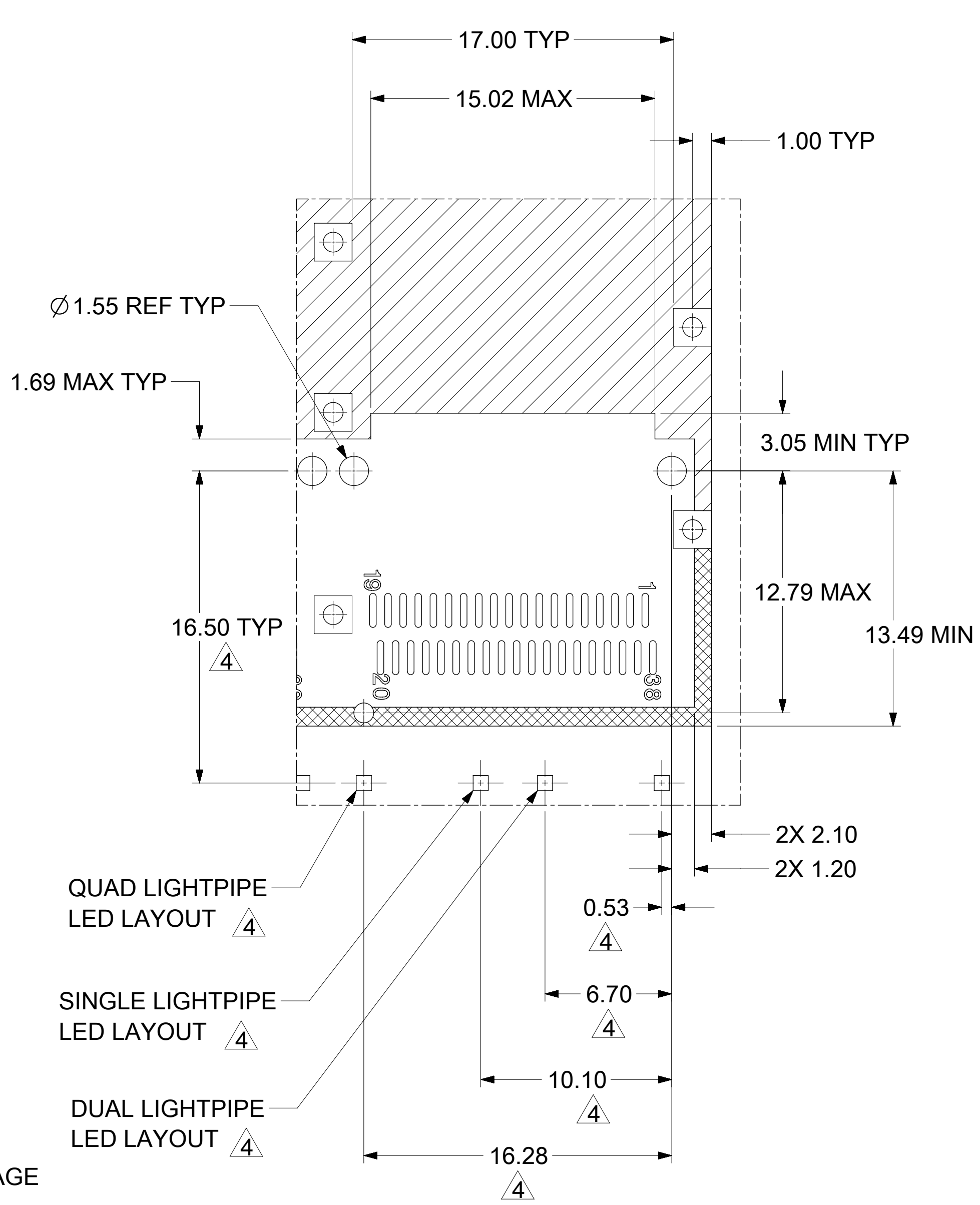
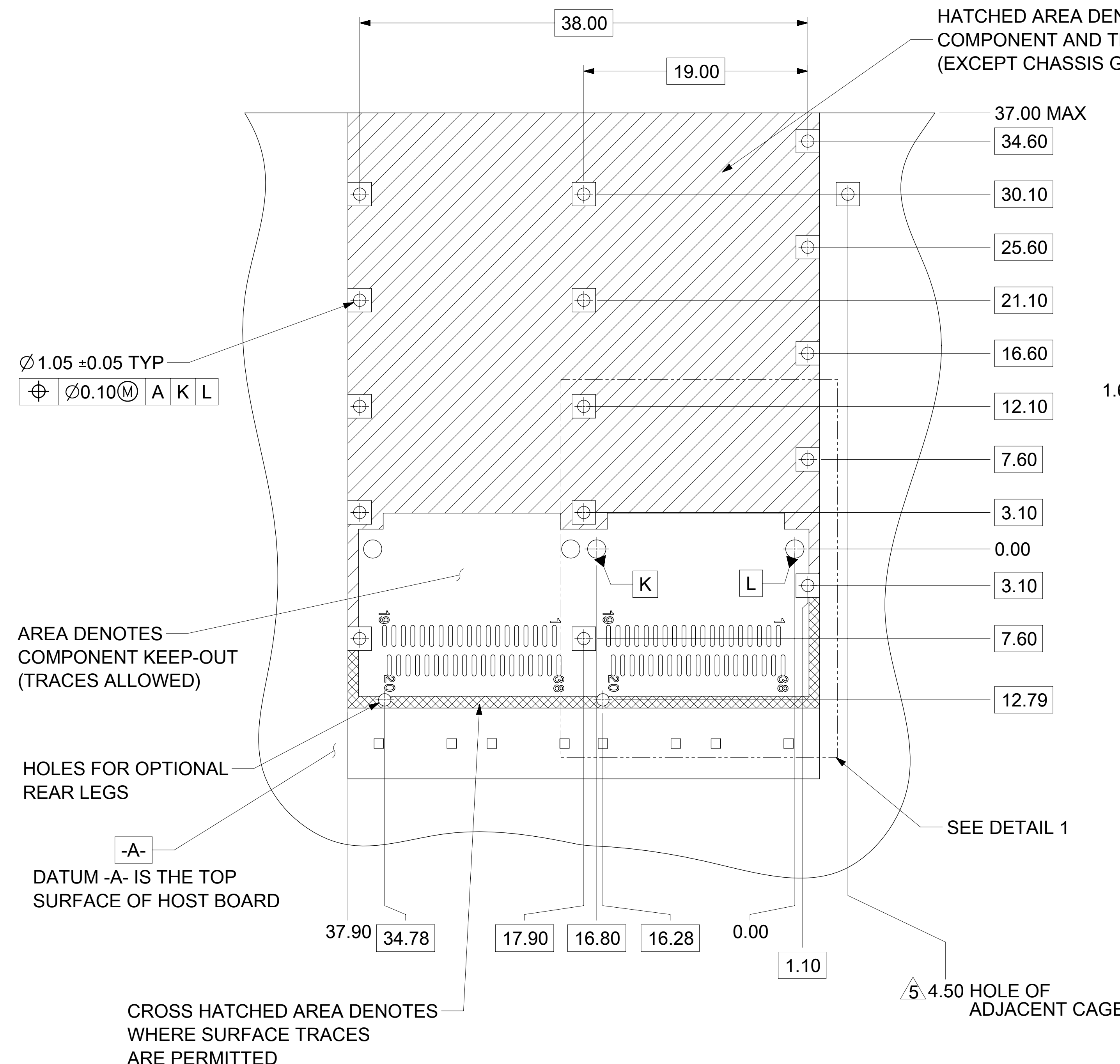


FUNCTIONAL SYMBOLS FA = 0 FE = 0 FP = 0	THIS DRAWING CONTAINS INFORMATION THAT IS PROPRIETARY TO MOLEX ELECTRONIC TECHNOLOGIES, LLC AND SHOULD NOT BE USED WITHOUT WRITTEN PERMISSION		CURRENT REV DESC:	
	DIMENSION UNITS mm	SCALE 2:1	EC NO: 690611 DRWN: DKUMARG 2021/12/30 CHK'D: AMRUTH 2021/12/31 APPR: JCHIANG 2022/01/03	
DIVISIONAL SYMBOLS	GENERAL TOLERANCES (UNLESS SPECIFIED)		INITIAL REVISION:	
	ANGULAR TOL ± 2.0°		DRWN: TKUMARKC 2015/11/27 APPR: RCHEN08 2015/12/18	
	4 PLACES ±	DRAFT WHERE APPLICABLE MUST REMAIN WITHIN DIMENSIONS		
	3 PLACES ±	THIRD ANGLE PROJECTION		
2 PLACES ± 0.13	DRAWING		SERIES	MATERIAL NUMBER
1 PLACE ± 0.25	D-SIZE		100015	SEE P/N TABLE
0 PLACES ±	GENERAL MARKET		CUSTOMER	
DOCUMENT NUMBER		DOC TYPE		DOC PART
1000151200		PSD		ASY
REVISION		SHEET NUMBER		J2
4 OF 8		GENERAL MARKET		4 OF 8

PCB LAYOUT FOR SINGLE SIDED MOUNTING

CROSS HATCHED AREA DENOTES EMI GROUNDING PAD (MUST BE CONNECTED TO CHASSIS GROUND)

HATCHED AREA DENOTES COMPONENT AND TRACE KEEP-OUT (EXCEPT CHASSIS GROUND)



Ø 1.05 ±0.05 TYP
 ⊕ Ø0.10(M) A K L

AREA DENOTES COMPONENT KEEP-OUT (TRACES ALLOWED)

HOLES FOR OPTIONAL REAR LEGS

-A- DATUM -A- IS THE TOP SURFACE OF HOST BOARD

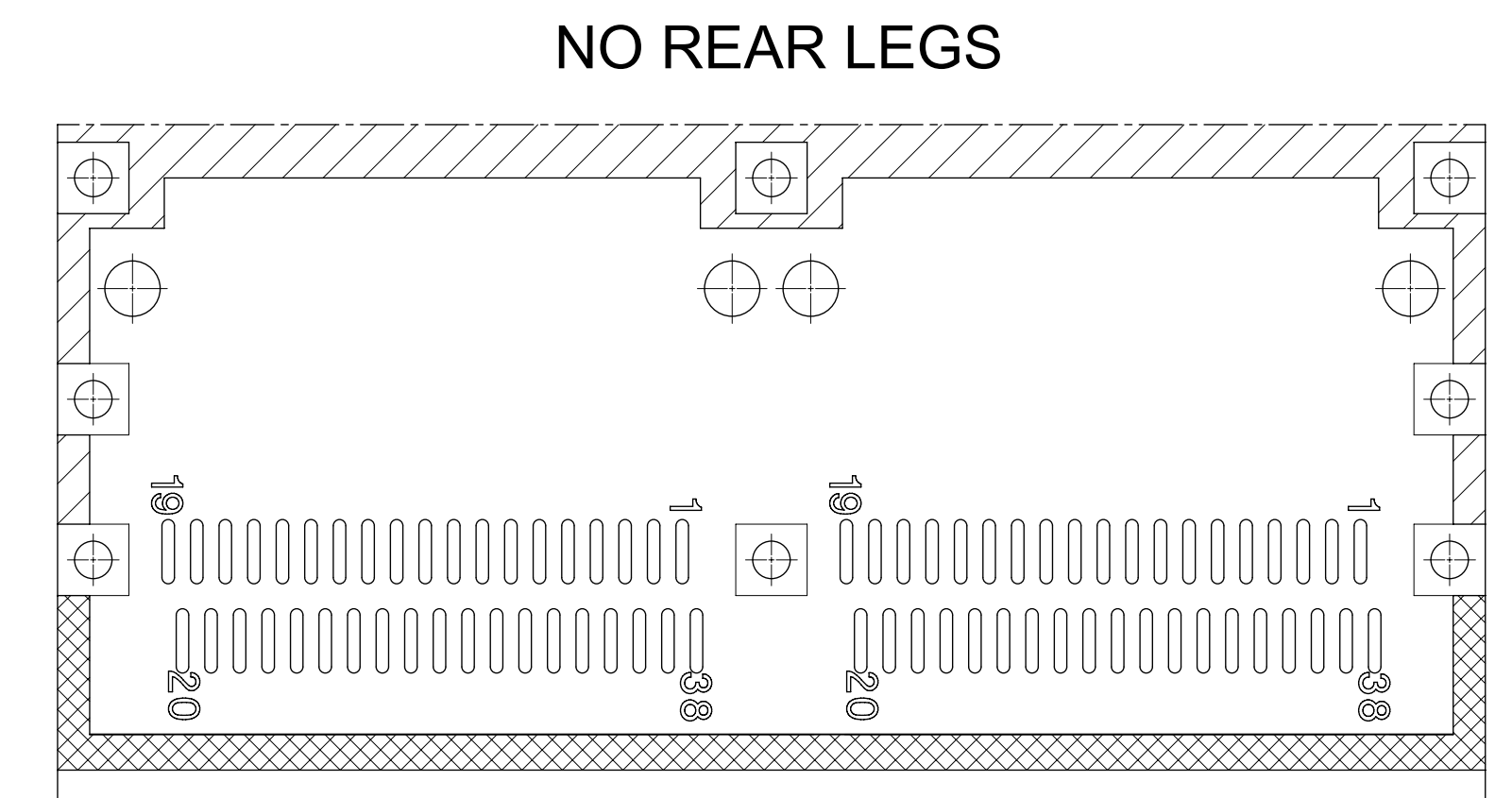
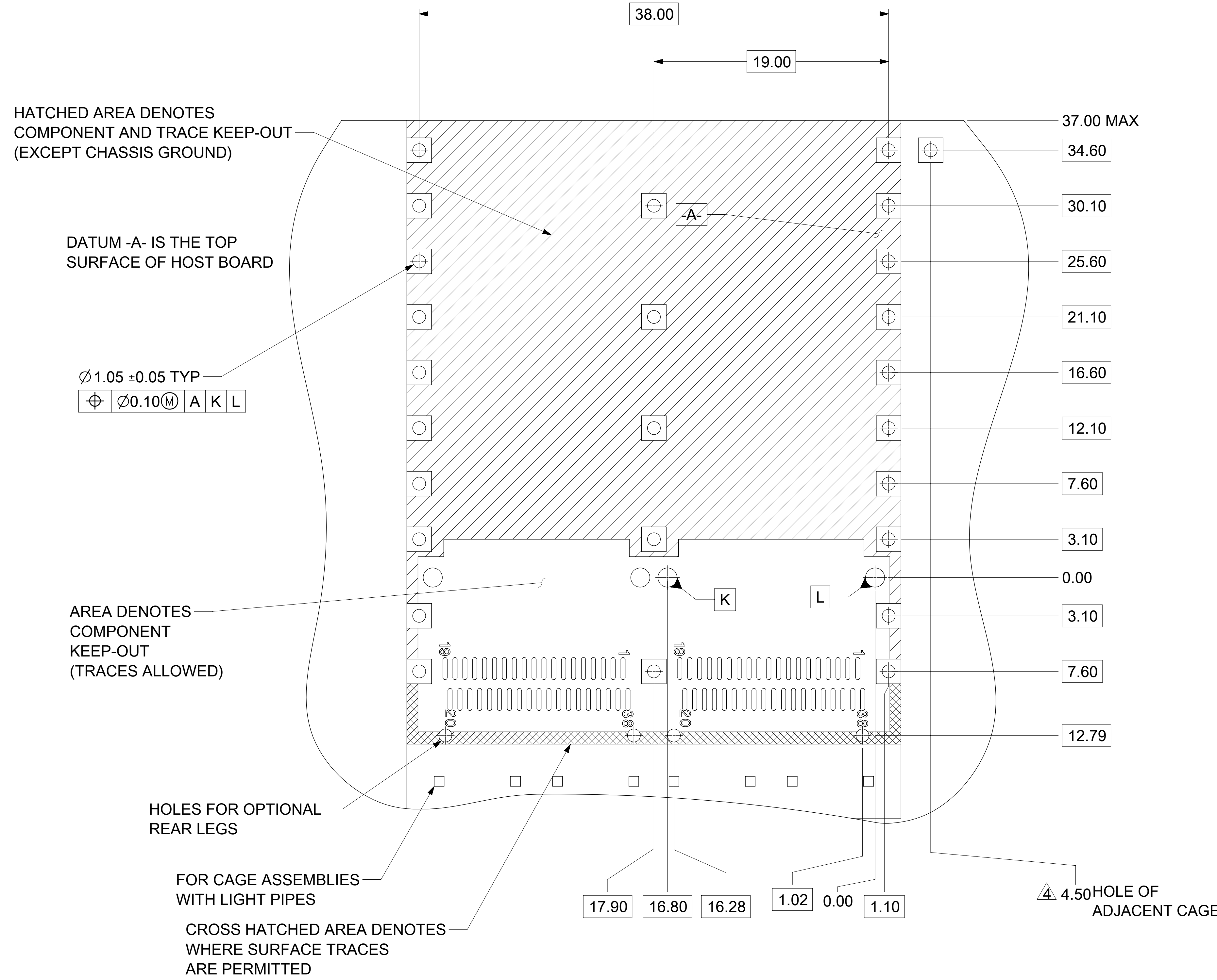
CROSS HATCHED AREA DENOTES WHERE SURFACE TRACES ARE PERMITTED

- NOTES:
- PADS AND VIAS GO TO CHASSIS GROUND. (RECOMMENDED PADS TO BE 2.00mm SQUARE.)
 - RECOMMENDED THRU HOLE PLATING INCLUDES HASL, OSP, OR IMMERSION (GOLD, SILVER, OR TIN).
 - CONNECTOR PAD LAYOUT PER SFF-8663 WILL ACCOMODATE MOLEX CONNECTOR SERIES 170432.
 - NOTED DIMENSIONS ONLY APPLY TO CAGE ASSEMBLIES WITH LIGHT PIPES.
 - THIS DIM IS FOR REF ONLY USER CAN MODIFY IT DEPENDS ON APPLICATION

DETAIL F SCALE 5:1

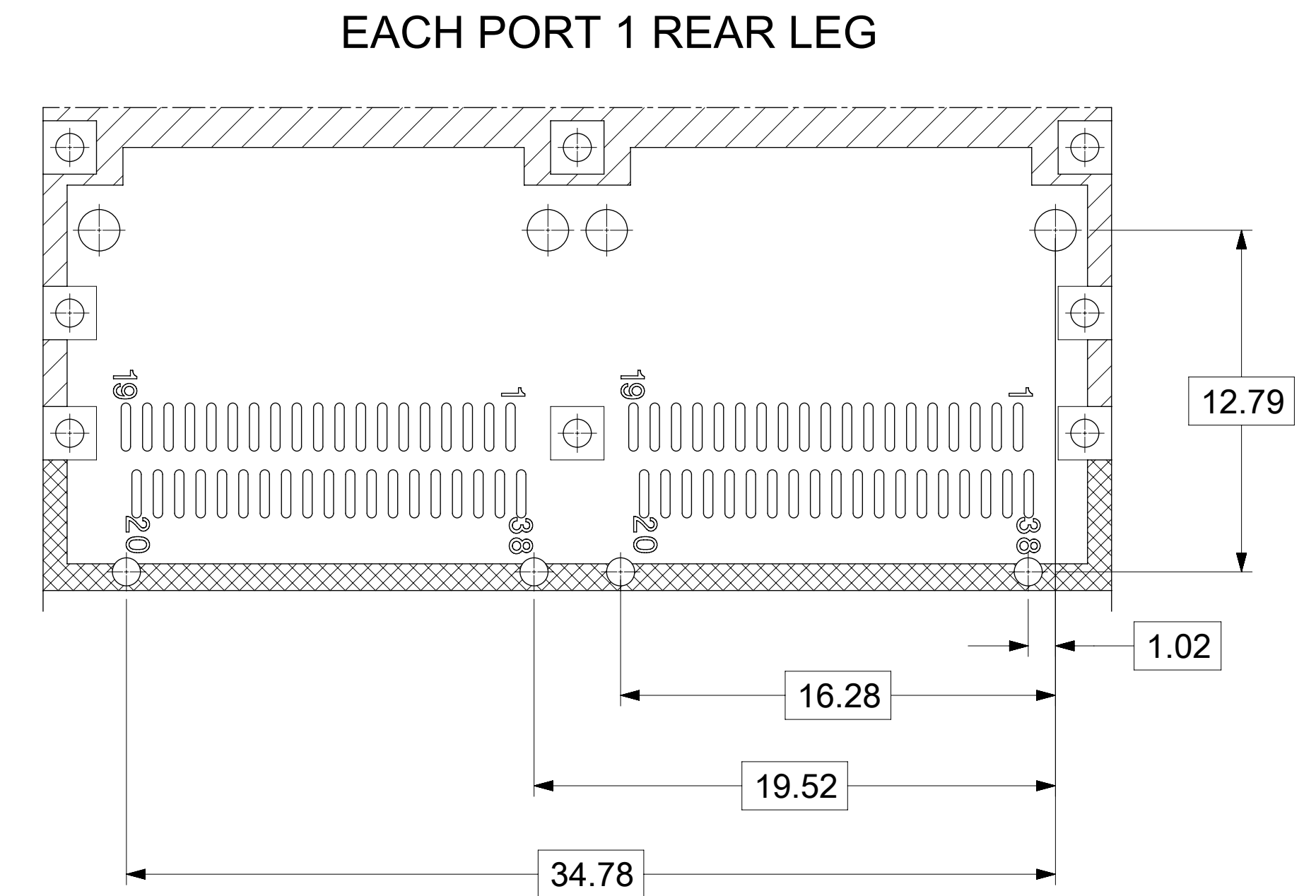
FUNCTIONAL SYMBOLS FA = 0 FC = 0 FD = 0	THIS DRAWING CONTAINS INFORMATION THAT IS PROPRIETARY TO MOLEX ELECTRONIC TECHNOLOGIES, LLC AND SHOULD NOT BE USED WITHOUT WRITTEN PERMISSION	CURRENT REV DESC:		molex
	DIMENSION UNITS: mm	SCALE: 4:1	EC NO: 690611	
DIVISIONAL SYMBOLS	GENERAL TOLERANCES (UNLESS SPECIFIED)	4 PLACES ±	DRWN: DKUMARG 2021/12/30	PRODUCT CUSTOMER DRAWING
	ANGULAR TOL ± 2.0°	3 PLACES ±	CHK'D: AMRUTH 2021/12/31	
		2 PLACES ± 0.13	APPR: JCHIANG 2022/01/03	DOCUMENT NUMBER: 1000151200
		1 PLACE ± 0.25	INITIAL REVISION: DRWN: TKUMARKC 2015/11/27	DOC TYPE: PSD
		0 PLACES ±	APPR: RCHEN08 2015/12/18	DOC PART: ASY
DRAFT WHERE APPLICABLE MUST REMAIN WITHIN DIMENSIONS	THIRD ANGLE PROJECTION	DRAWING: D-SIZE	SERIES: 100015	REVISION: J2
		MATERIAL NUMBER: SEE P/N TABLE	CUSTOMER: GENERAL MARKET	SHEET NUMBER: 5 OF 8

PCB LAYOUT FOR BELLY TO BELLY MOUNTING



PARTIAL 3
SCALE 5:1

NOTE:
SEE SHEET 5 FOR
HOST CONNECTOR DETAIL
AND LED LOCATION DETAILS

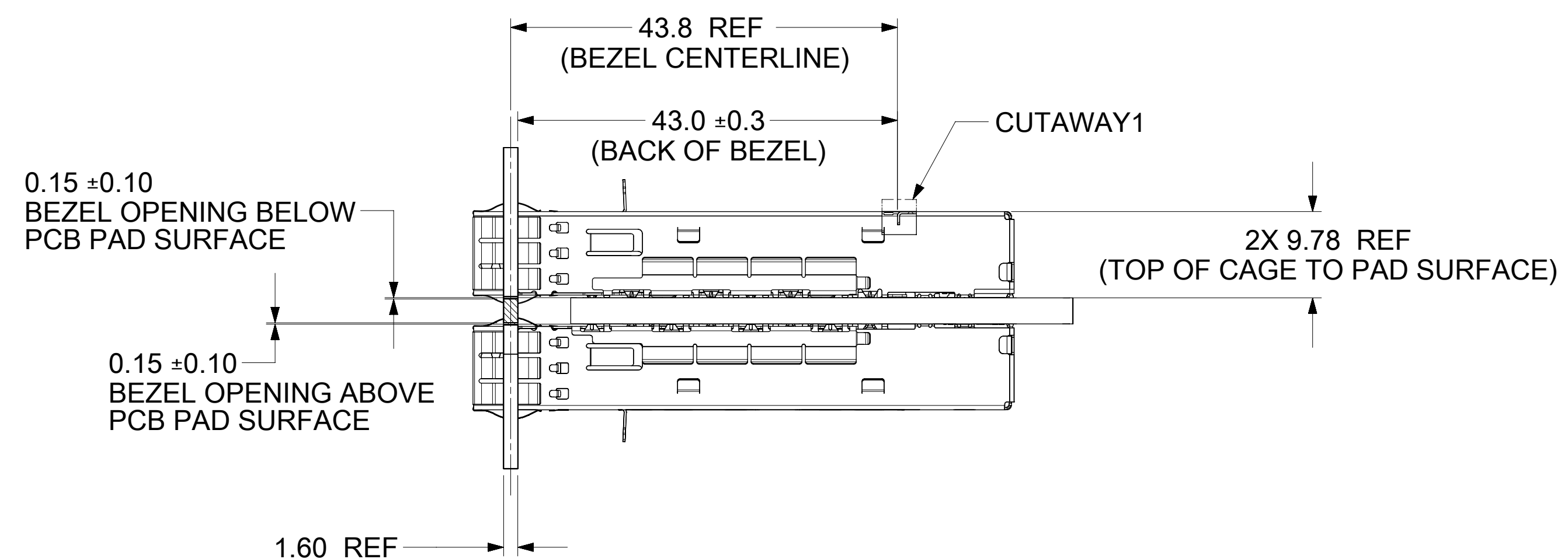


PARTIAL 4
SCALE 5:1

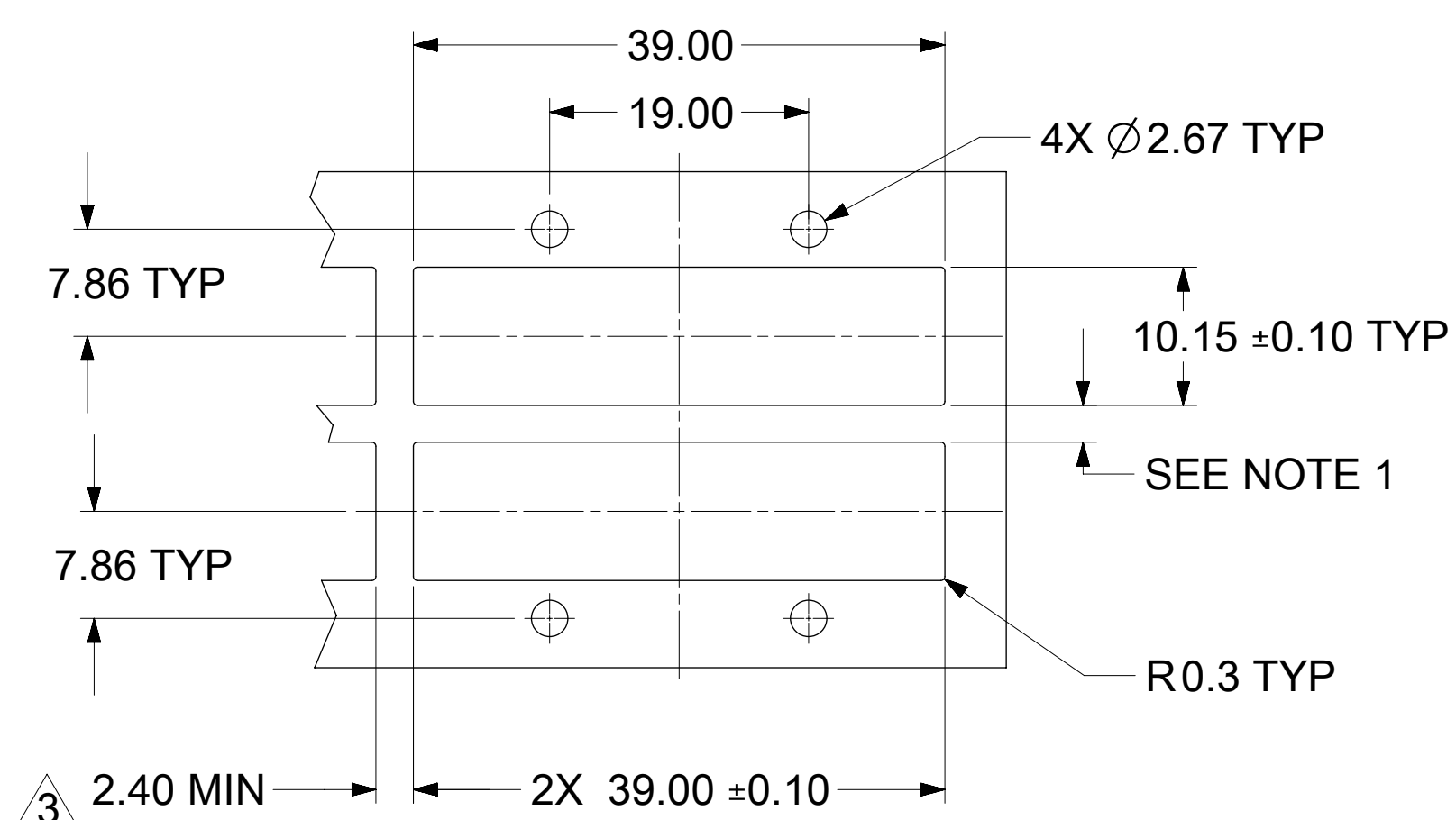
- NOTES:
1. PADS AND VIAS GO TO CHASSIS GROUND. (RECOMMENDED PADS TO BE 2.00mm SQUARE.)
 2. RECOMMENDED THRU HOLE PLATING INCLUDES HASL, OSP, OR IMMERSION (GOLD, SILVER, OR TIN).
 3. CONNECTOR PAD LAYOUT PER SFF-8663 WILL ACCOMODATE MOLEX CONNECTOR SERIES 170432.
 4. THIS DIM IS FOR REF ONLY USER CAN MODIFY IT DEPENDS ON APPLICATION.

FUNCTIONAL SYMBOLS $\nabla_A = 0$ $\nabla_C = 0$ $\nabla_P = 0$ DIVISIONAL SYMBOLS	THIS DRAWING CONTAINS INFORMATION THAT IS PROPRIETARY TO MOLEX ELECTRONIC TECHNOLOGIES, LLC AND SHOULD NOT BE USED WITHOUT WRITTEN PERMISSION		CURRENT REV DESC:			
	DIMENSION UNITS mm	SCALE 5:1	EC NO: 690611 DRWN: DKUMARG 2021/12/30 CHK'D: AMRUTH 2021/12/31 APPR: JCHIANG 2022/01/03			ZQSFP+ 1X2 GANGED CAGE ASSY'S (SPRING FINGER) WITH H/S & L/P OPTIONS
	GENERAL TOLERANCES (UNLESS SPECIFIED)		INITIAL REVISION: DRWN: TKUMARKC 2015/11/27 APPR: RCHEN08 2015/12/18			PRODUCT CUSTOMER DRAWING
	ANGULAR TOL $\pm 2.0^\circ$		4 PLACES \pm 3 PLACES \pm 2 PLACES ± 0.13 1 PLACE ± 0.25 0 PLACES \pm			DOCUMENT NUMBER 1000151200
DRAFT WHERE APPLICABLE MUST REMAIN WITHIN DIMENSIONS		THIRD ANGLE PROJECTION	DRAWING SERIES D-SIZE 100015	MATERIAL NUMBER SEE P/N TABLE	CUSTOMER GENERAL MARKET	
DOCUMENT STATUS P1 RELEASE DATE 2022/01/03 03:46:33				DOC TYPE PSD ASY	REVISION J2	
				SHEET NUMBER 6 OF 8		

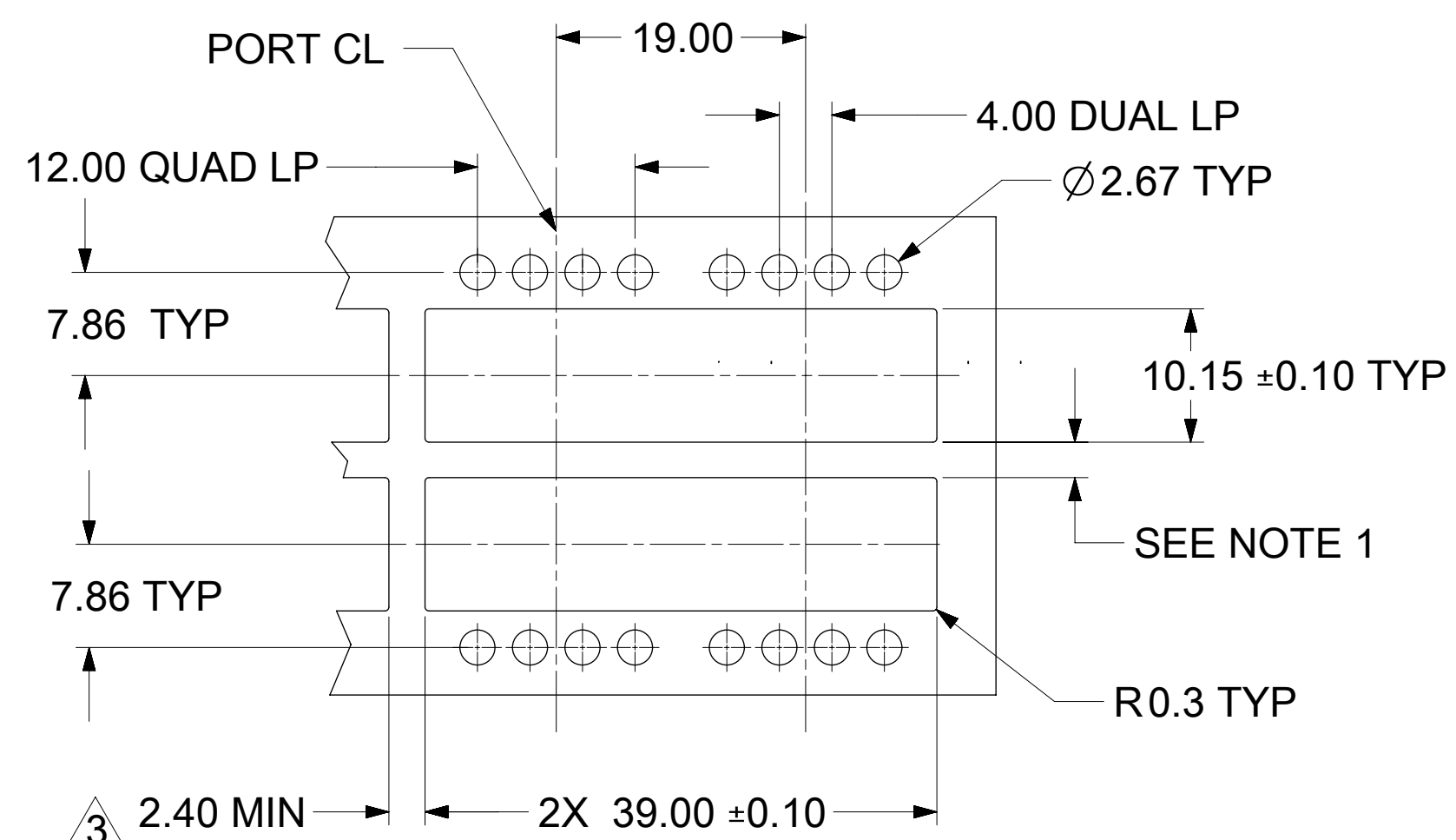
BEZEL AND BOARD POSITION DIMENSIONS FOR BELLY TO BELLY MOUNTING



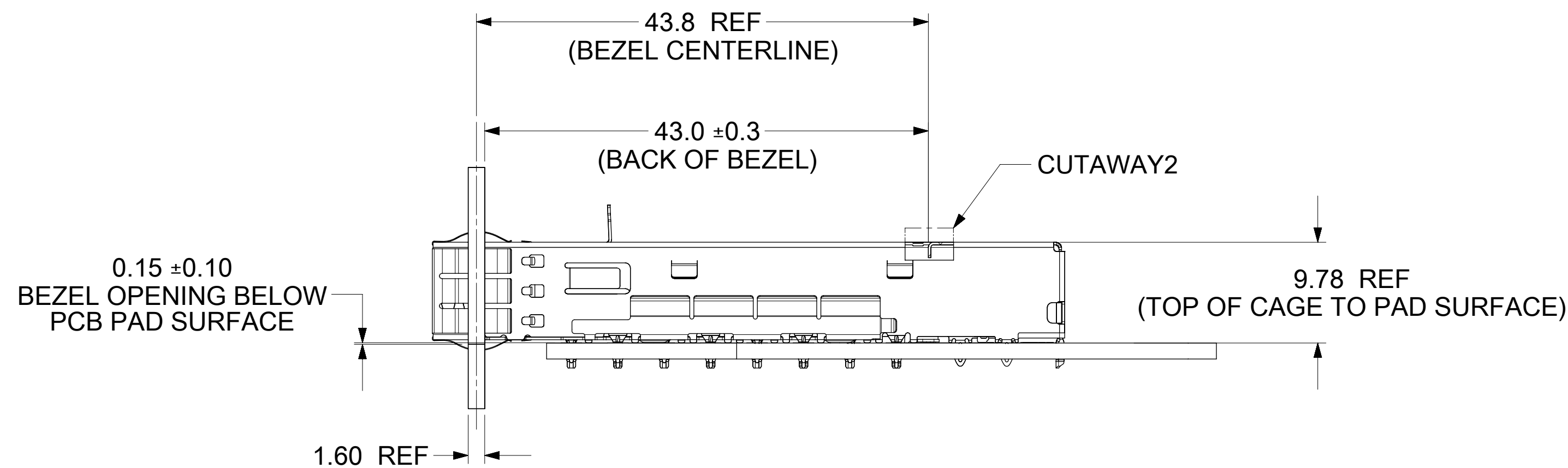
SINGLE LIGHT PIPE ²



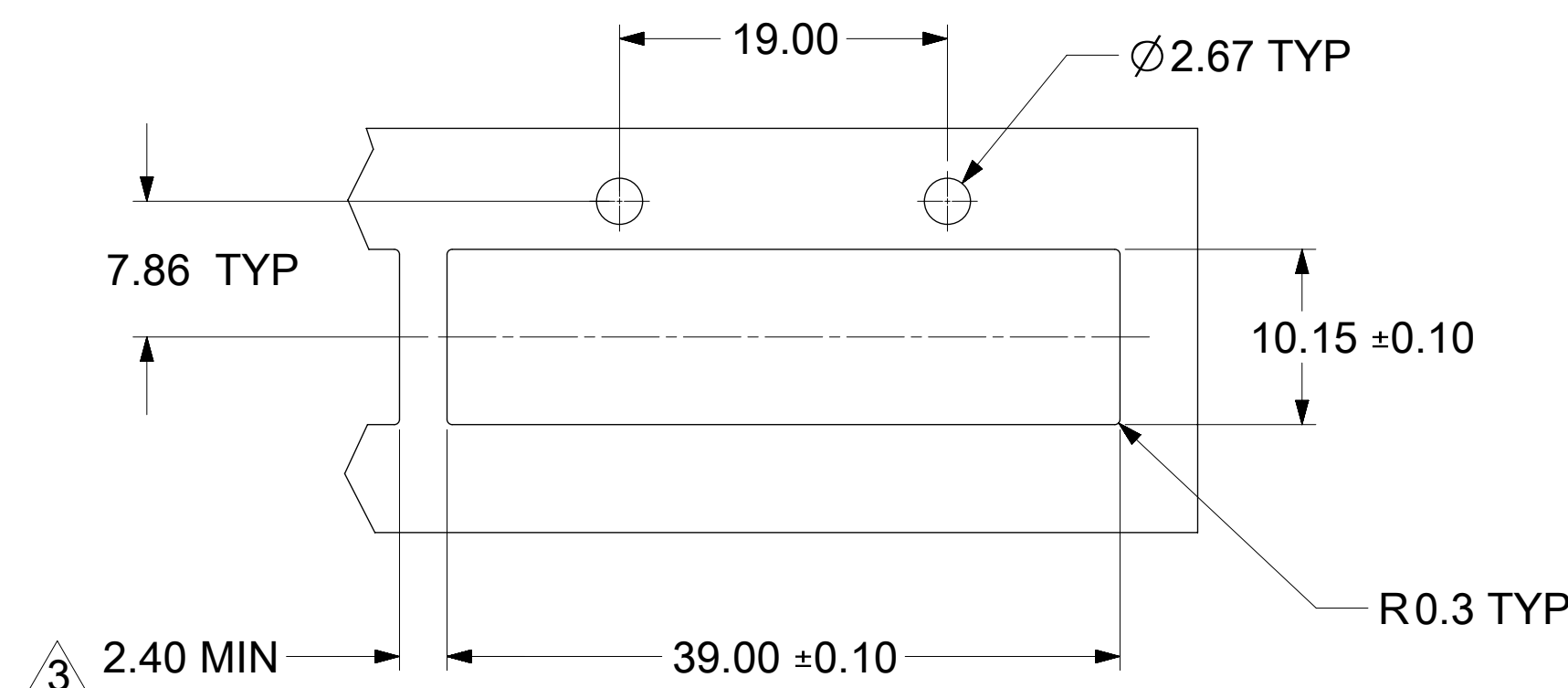
DUAL/QUAD LIGHT PIPE ²



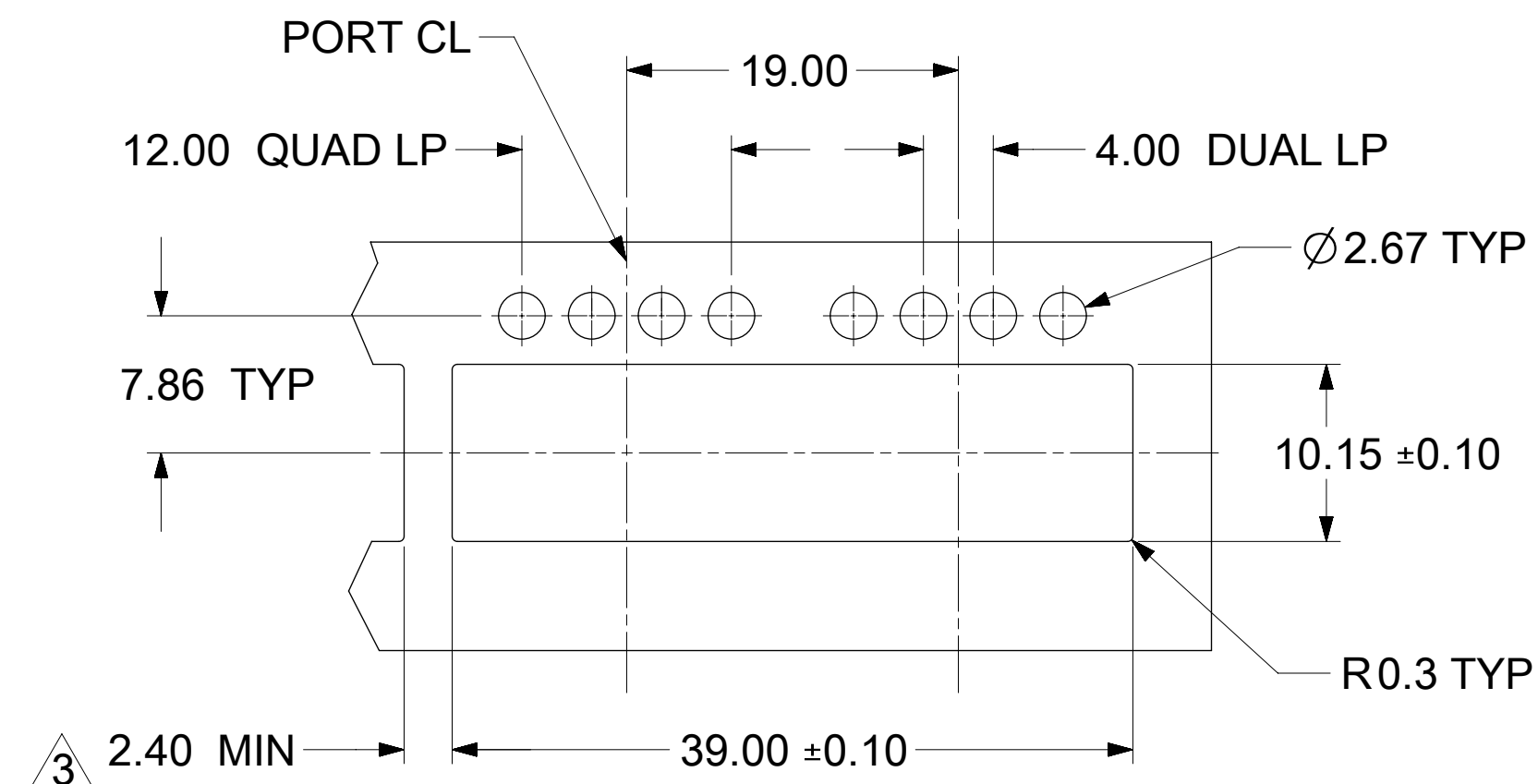
BEZEL AND BOARD POSITION DIMENSIONS FOR SINGLE SIDE MOUNTING



SINGLE LIGHT PIPE ²



DUAL/QUAD LIGHT PIPE ²



- NOTE:
- 1. PCB THICKNESS VARIATION MUST BE CONSIDERED WHEN DETERMINING BEZEL OPENING LOCATION.
 - ² NOTED DIMENSIONS ONLY APPLY TO CAGE ASSEMBLIES WITH LIGHT PIPES.
 - ³ THIS DIM IS FOR REF ONLY USER CAN MODIFY IT DEPENDS ON APPLICATION.

FUNCTIONAL SYMBOLS	THIS DRAWING CONTAINS INFORMATION THAT IS PROPRIETARY TO MOLEX ELECTRONIC TECHNOLOGIES, LLC AND SHOULD NOT BE USED WITHOUT WRITTEN PERMISSION		
	DIMENSION UNITS	SCALE	CURRENT REV DESC:
$F_A = 0$	mm	2:1	
$F_C = 0$	GENERAL TOLERANCES (UNLESS SPECIFIED)		
$F_P = 0$	ANGULAR TOL ± 2.0°		
DIVISIONAL SYMBOLS	4 PLACES	±	EC NO: 690611
	3 PLACES	±	DRWN: DKUMARG 2021/12/30
	2 PLACES	± 0.13	CHK'D: AMRUTH 2021/12/31
	1 PLACE	± 0.25	APPR: JCHIANG 2022/01/03
	0 PLACES	±	INITIAL REVISION:
DRAFT WHERE APPLICABLE MUST REMAIN WITHIN DIMENSIONS		THIRD ANGLE PROJECTION	DRAWING SERIES
			D-SIZE 100015
DOCUMENT STATUS		P1	RELEASE DATE
2022/01/03		03:46:33	
DOCUMENT NUMBER		DOC TYPE	DOC PART
1000151200		PSD	ASY
CUSTOMER		SHEET NUMBER	
GENERAL MARKET		7 OF 8	

molex

ZQSFP+ 1X2 GANGED CAGE ASSY'S (SPRING FINGER) WITH H/S & L/P OPTIONS

PRODUCT CUSTOMER DRAWING

1000151200 PSD ASY J2

REV	DATE	DESCRIPTION
A	2013/03/29	INITIAL RELEASE
B	2013/02/04	SHEET 3: ADDED VIEW AND P/N TABLE FOR CLOSED TOP W/ LP. SHEET 4/5: EXPANDED AREA WHERE SURFACE TRACES ARE PERMITTED.REMOVED "HOLE PATTERN REPEATS FOR EACH PORT" FROM NOTE 4
C	2014/06/27	SHEET 1: ADDED MATERIAL INFORMATION TO NOTES. CHANGED REARMOST LEG ON BOTH SIDES OF ALL CAGES FROM 3D PRESSFIT TO EYE-OF-THE-NEEDLE PRESSFIT LEG.
D	2014/10/06	SHEET 2: CHANGED HEATSINK HEIGHT DIMENSIONS TO REF J13: DIM 67.48 CHANGED TO REF SHEET 4: MOVED DATUMS "K" AND "L" TO CONNECTOR HOLES REMOVED BASIC FROM "0.00" POSITIONS SHEET 5: MOVED DATUMS "K" AND "L" TO CONNECTOR HOLES REMOVED BASIC FROM "0.00" POSITIONS H16: MADE HOLE DIAMETER DIMENSION TYP SHEET 6: EDIT NOTE 1, REMOVED "SIZE" REMOVED NOTE 1 FROM ALL "10.15" DIMENSIONS
E	2015/04/14	SHEET 4: REVISED DIM "WAS" 12.77 "NOW" 12.79 @G11 ADDED DIMS @K13 AND K14 REMOVED NOTE 4 AND REVISED NOTE 5 TO NOTE 4 REVISED FRAMED TEXT NUMBER 4 TRIANGLES TO FRAMED TEXT NUMBER 5 @D4, @E4,@F4, @F6, @F7,AND @H7 SHEET 5: REVISED DIM "WAS" 12.77 "NOW" 12.79 @F8 REMOVED NOTE 4 @A20 REMOVED SEE NOTE 4 AND ADDED DIMS @K10 AND @K12 SHEET 6: REVISED PORT CL "WAS" (4) "NOW" PORT CL @F6
F	2015/06/30	SHEET 3: ADDED P/N 1000151901 TO WITH HAETSINK AND LIGHT PIPE TABLE
G	2015/08/17	REMASTERED FROM SD-100015-1200 REV_'F' TO 1000151200 PSD REV_G ADDED SHEET 3 FOR P/N 1000151901 SHEET 4: F15: ADDED COLUMN FOR LP SHIELD IN "WITH HAETSINK AND LIGHT PIPE" TABLE D2: ADDED VIEW FOR "QUAD LIGHT PIPE WITH LIGHT SHIELD" SHEET 5: A19: ADDED NOTE 5 "THIS DIM IS FOR REF ONLY USER CAN MODIFY IT DEPENDS ON APPLICATION. D4 & H4: ADDED PARTIAL VIEW 1 AND PARTIAL VIEW 2. SHEET 6: A19: ADDED NOTE 4 "THIS DIM IS FOR REF ONLY USEER CAN MODIFY IT DEPENDS ON APPLICATION". E4 & J4 ADDED PARTIAL VIEW 3 & PARTIAL VIEW 4. SHEET 7: A19: ADDED NOTE 3 "THIS DIM IS FOR REF ONLY USEER CAN MODIFY IT DEPENDS ON APPLICATION".
H	2016/03/01	CHANGED THE DOCUMENT TYPE FROM RSD TO SD. SHEET 1: E08: REMOVED DIM 1.8±0.25. C16: CHANGED BERYLLIUM COPPER TO COPPER ALLOY IN NOTE. D11: ADDED DIMENSION 13.40 REF SHEET 2: E07: ADDED NOTE "CL OF REAR WALL TO CL OF LED" TO DIM 3.7 TYP. SHEET 4: G06: ADDED COLUMN FOR LP TABS IN TABLE. SHEET 5: J14: CHANGED DIMENSION 19 TO BASIC DIMENSION. J15: CHANGED DIMENSION 38 TO BASIC DIMENSION. SHEET 6: K12: CHANGED DIMENSION 19 TO BASIC DIMENSION. K13: CHANGED DIMENSION 38 TO BASIC DIMENSION. SHEET 7: G14: ADDED TYP TO DIM 4X2.67. B16: CHANGED DIMENSION 2.75 MIN TO 2.40 MIN E16: CHANGED DIMENSION 2.75 MIN TO 2.40 MIN F08: CHANGED DIMENSION 2.75 MIN TO 2.40 MIN C08: CHANGED DIMENSION 2.75 MIN TO 2.40 MIN J18: ADDED DIM 0.15±0.10(BEZEL OPENING ABOVE PCB PAD SURFACE)
J	2018/05/22	SHEET 5: ADDED PAD TO HOLES & UPDATED VIEWS TO AVOID CONFUSION SHEET 6: ADDED PAD TO HOLES & UPDATED VIEWS TO AVOID CONFUSION
J1	2019/08/26	OBSOLETED P/N 1000151240, 1000151441, 1000151542
J2	2021/12/31	SHEET 05 : E07 : CORRECTED DIMENSION LINE FOR THE DIM 1.20

FUNCTIONAL SYMBOLS	THIS DRAWING CONTAINS INFORMATION THAT IS PROPRIETARY TO MOLEX ELECTRONIC TECHNOLOGIES, LLC AND SHOULD NOT BE USED WITHOUT WRITTEN PERMISSION		
	DIMENSION UNITS	SCALE	CURRENT REV DESC:
$\frac{F}{A} = 0$	mm	1:1	EC NO: 690611 DRWN: DKUMARG 2021/12/30 CHK'D: AMRUTH 2021/12/31 APPR: JCHIANG 2022/01/03
$\frac{F}{C} = 0$	GENERAL TOLERANCES (UNLESS SPECIFIED)		
$\frac{F}{P} = 0$	ANGULAR TOL ± 2.0°		INITIAL REVISION: DRWN: TKUMARKC 2015/11/27 APPR: RCHEN08 2015/12/18
DIVISIONAL SYMBOLS	4 PLACES ±	3 PLACES ±	
	2 PLACES ± 0.13	1 PLACE ± 0.25	THIRD ANGLE PROJECTION DRAFT WHERE APPLICABLE MUST REMAIN WITHIN DIMENSIONS
	0 PLACES ±		
DRAFT WHERE APPLICABLE MUST REMAIN WITHIN DIMENSIONS		DRAWING	SERIES
			D-SIZE 100015
DOCUMENT STATUS		P1	RELEASE DATE
2022/01/03		03:46:33	
DOCUMENT NUMBER		DOC TYPE	DOC PART
1000151200		PSD	ASY
MATERIAL NUMBER		CUSTOMER	SHEET NUMBER
SEE P/N TABLE		GENERAL MARKET	8 OF 8

molex

ZQSFP+ 1X2 GANGED CAGE
ASSY'S (SPRING FINGER) WITH H/S & L/P OPTIONS

PRODUCT CUSTOMER DRAWING

DOCUMENT NUMBER	DOC TYPE	DOC PART	REVISION
1000151200	PSD	ASY	J2