

4

3

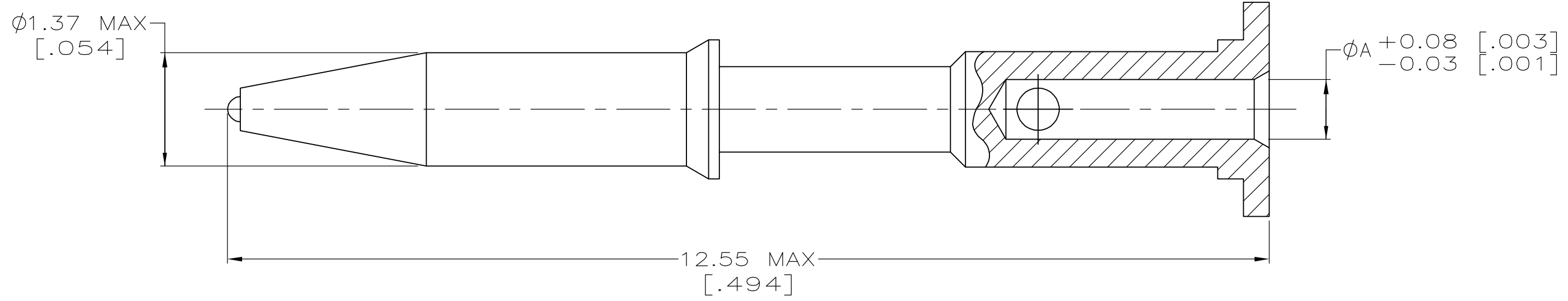
2

1

THIS DRAWING IS UNPUBLISHED. RELEASED FOR PUBLICATION
 © COPYRIGHT BY TYCO ELECTRONICS CORPORATION. ALL RIGHTS RESERVED.

LOC	DIST	REVISIONS			
P	LTR	DESCRIPTION	DATE	DWN	APVD
AJ	17	F	REVISED PER EC OS14-0193-05	09JUN05	BM JL

- ① BRASS PER QQ-B-626
- ② GOLD PLATE PER MIL-G-45204, 0.76μm [.000030] MIN THICKNESS



0.33 [.013]	1-413657-5
0.79 [.031]	1-413657-2
0.61 [.024]	1-413657-0
0.89 [.035]	413657-8
0.38 [.015]	413657-6
0.51 [.020]	413657-4
0.71 [.028]	413657-2
A	PART NUMBER

THIS DRAWING IS A CONTROLLED DOCUMENT.		DWN J.L.GROFT 12-4-89	Tyco Electronics Corporation Harrisburg, Pa 17105-3608	
DIMENSIONS: INCHES		CHK R.E.RUTH 1/12/90		
		APVD M.HEIDELBAUGH 1/12/90	NAME CONTACT, 75 OHM, BNC	
TOLERANCES UNLESS OTHERWISE SPECIFIED:		PRODUCT SPEC	RESTRICTED TO	
0 PLC ± - 1 PLC ± - 2 PLC ± - 3 PLC ± - 4 PLC ± - ANGLES ± -		APPLICATION SPEC	SIZE A3	CAGE CODE 00779
MATERIAL ①	FINISH ②	WEIGHT -	DRAWING NO C-413657	SCALE 20:1
CUSTOMER DRAWING			SHEET 1 OF 1	REV F