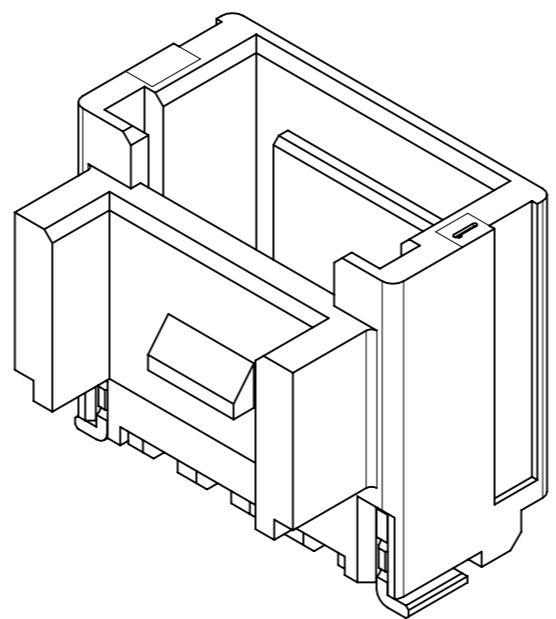


NOTES

- 1. 材料及び仕上げ(めっき仕様) : TABLE 1 参照
MATERIAL AND FINISHES : SEE TABLE 1
- 2. 製品仕様書 : PS-501940-001
PRODUCT SPECIFICATION:
- 3. 梱包形態 : SEE SHEET 3
PACKAGING INFORMATION:
- 4. 嵌合相手 : 501939 シリーズ
MATES WITH:501939 SERIES
- 5. アプリケーション仕様書(コネクタ取扱い説明書) : 5013300000-AS A00(JAPANESE)/A01(ENGLISH)
APPLICATION SPECIFICATION(CONNECTOR MANUAL):
- 6. ソルダーピン及びネイルの平坦度:0.1 MAX
SOLDER PIN AND NAIL COPLANARITY: 0.1 MAX
- 7. 偶数極に適用
APPLY FOR EVEN CIRCUIT
- 8. 本製品は錫めっき品である。金めっき品は以下の図面を御参照下さい。
THIS PRODUCT IS A TIN PLATING. PLEASE REFER TO THE FOLLOWING DRAWING FOR GOLD PLATING VERSION.

GOLD PLATING THICKNESS [micro-meter MIN]	SERIES No	DRAWING No
0.1	501940 **03	5019400001-SD PSD 000
0.38	203560 **03	2035600000-SD PSD 000
0.76	203561 **03	2035610000-SD PSD 000

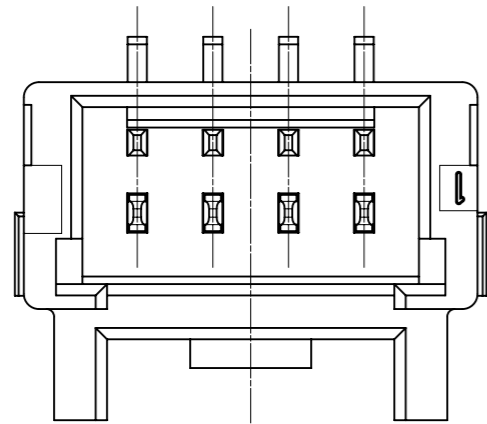
番号 NO	部品 PART	材質 MATERIAL	
①	ウエハー WAFER	ポリアミド(PA), UL94V-0, 色 : SEE SHEET 5 POLYAMIDE(PA), UL94V-0, COLOR : SEE SHEET 5	
②	ソルダーピン SOLDER PIN	リン青銅 PHOSPHOR BRONZE	
		接点部 CONTACT AREA	錫めっき : 1.0 MICRO-METER MIN MATTE TIN PLATING
		テール部 TAIL AREA	錫めっき : 1.0 MICRO-METER MIN MATTE TIN PLATING
③	ネイル NAIL	下地めっき UNDER PLATING	ニッケルめっき : 1.0 MICRO-METER MIN NICKEL
		テール部 TAIL AREA	錫めっき : 1.0 MICRO-METER MIN MATTE TIN PLATING
④	カバーテープ COVER TAPE	下地めっき UNDER PLATING	ニッケルめっき : 1.0 MICRO-METER MIN NICKEL
		ポリイミドテープ POLYIMIDE TAPE	



5.2	6.5	4.0	7.0	5
	5.5	3.0	6.0	4
4.2	4.5	2.0	5.0	3
D	C	B	A	極数 CIRCUIT SIZE

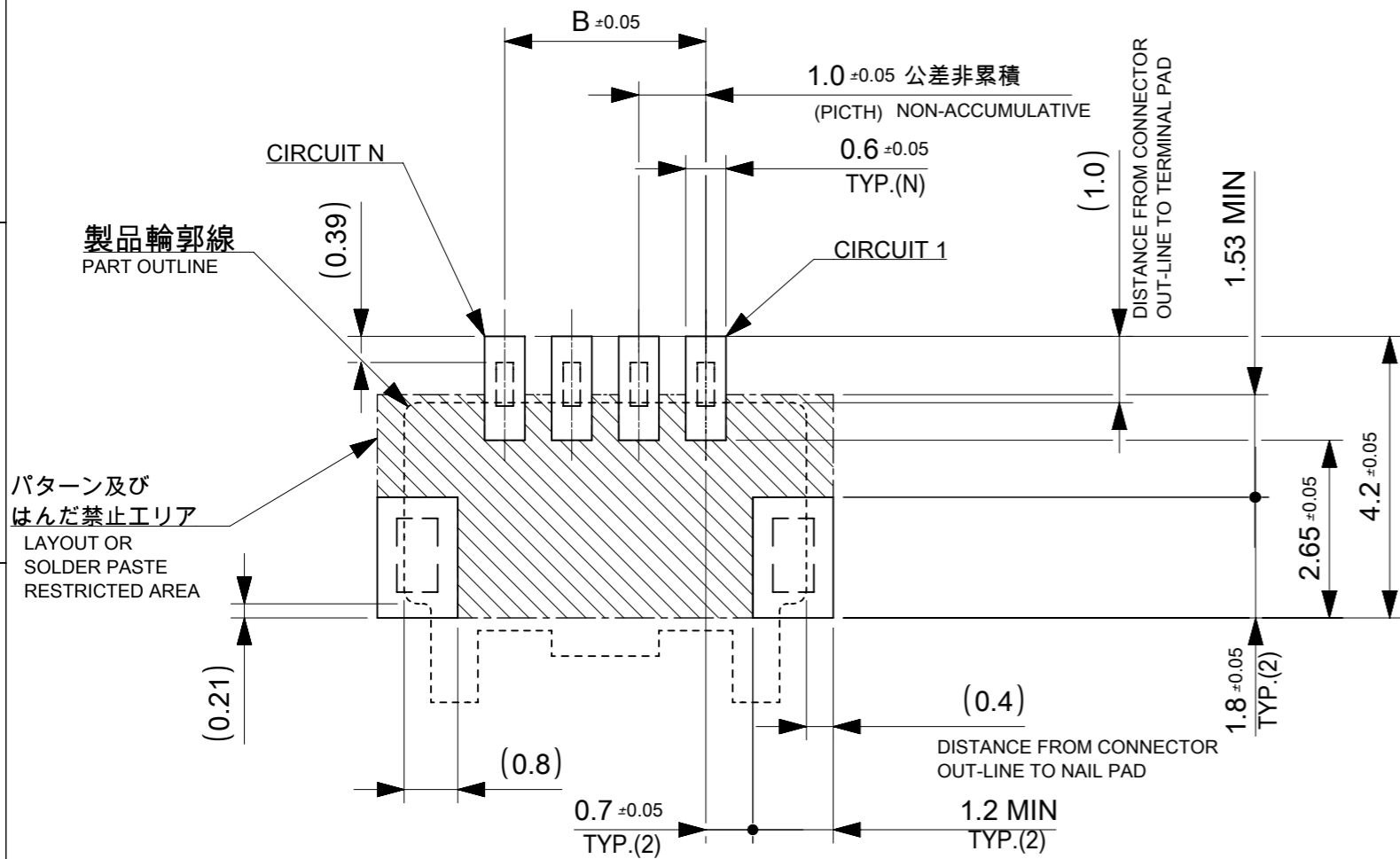
THIS DRAWING CONTAINS INFORMATION THAT IS PROPRIETARY TO MOLEX ELECTRONIC TECHNOLOGIES, LLC AND SHOULD NOT BE USED WITHOUT WRITTEN PERMISSION

DIMENSION UNITS	SCALE	CURRENT REV DESC:		
mm	NTS			
GENERAL TOLERANCES (UNLESS SPECIFIED)		<p>molex</p> <p>PICO-CLASP 1.0 W/B SINGLE ROW VT SMT OUTER LOCK TIN PLATING</p> <p>PRODUCT CUSTOMER DRAWING</p>		
ANGULAR TOL	± 3.0 °			
4 PLACES	± 0.2			
3 PLACES	± 0.2			
2 PLACES	± 0.2			
1 PLACE	± 0.2	<p>EC NO: 635683</p> <p>DRWN: MIKEDA01 2020/04/10</p> <p>CHK'D: SAKIYAMA 2020/05/13</p> <p>APPR: KOMURAKAMI 2020/05/14</p>		
0 PLACES	± 0.2	<p>INITIAL REVISION:</p> <p>DRWN: AISHIKAWA 2019/03/13</p> <p>APPR: KOMURAKAMI 2019/04/03</p>		
DRAFT WHERE APPLICABLE MUST REMAIN WITHIN DIMENSIONS		THIRD ANGLE PROJECTION	DRAWING	SERIES
			A3-SIZE	501940
		MATERIAL NUMBER	CUSTOMER	SHEET NUMBER
		SEE SHEET 5	GENERAL	1 OF 5




製品レイアウト
PRODUCT LAYOUT

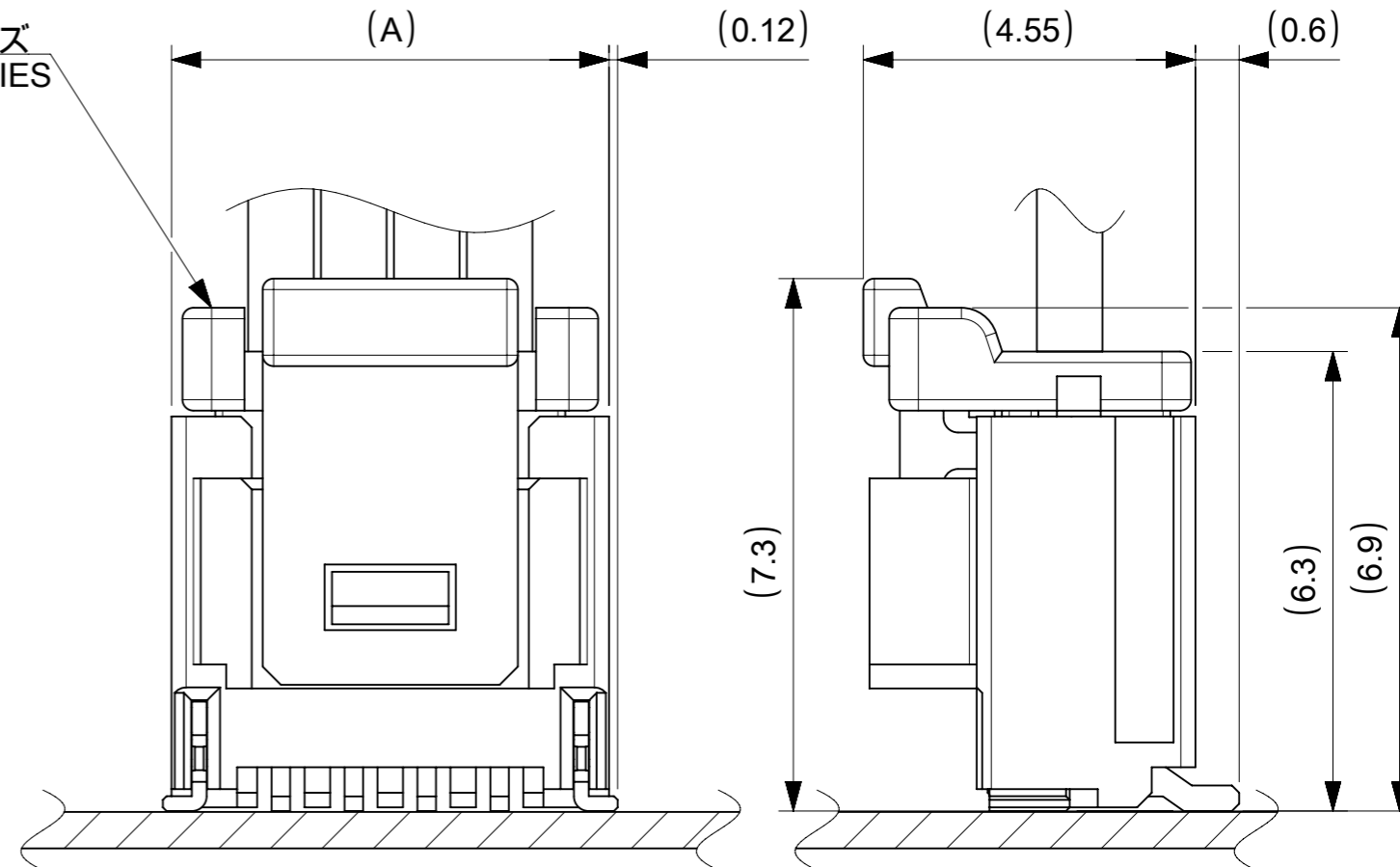
△ 4 嵌合相手 : 501939 シリーズ
MATE WITH : 501939 SERIES



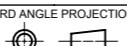
推奨基板レイアウト(全極数適用) : 実装面側
(参考 : 基板厚 1.0mm, メタルマスク厚さ 0.12mm, マスク開口率100%)

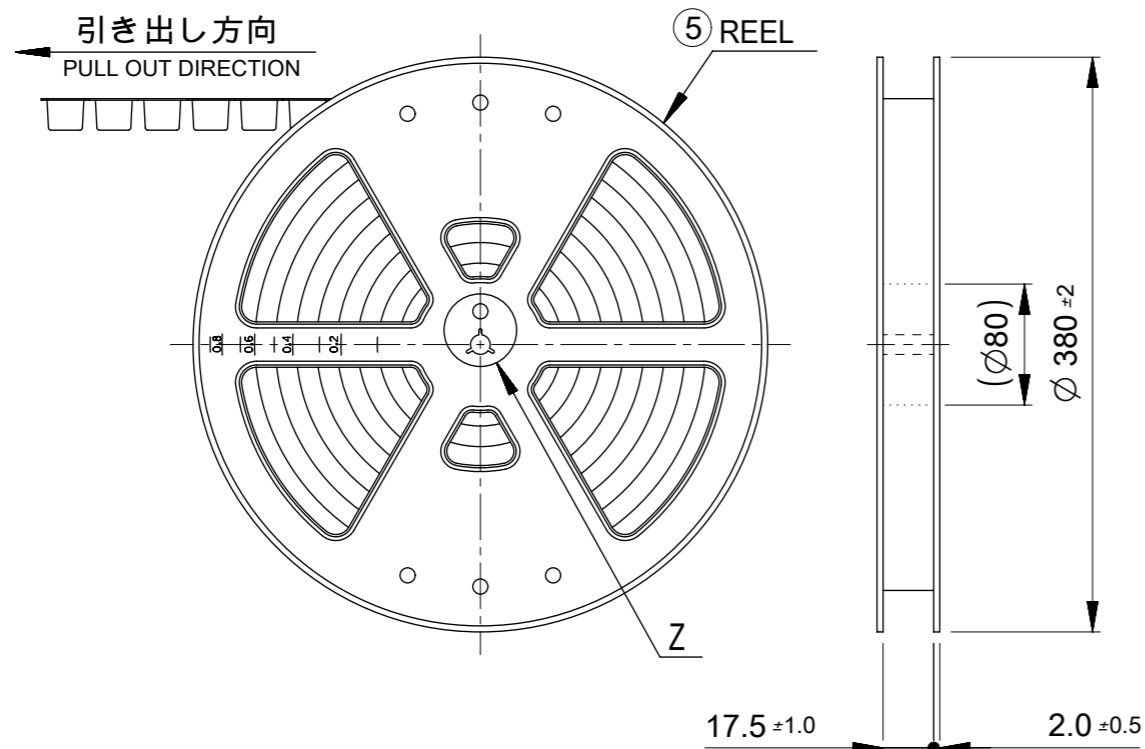
POLARIZED RECOMMENDED PCB LAYOUT(APPLY TO ALL CIRCUIT) : COMPONENT SIDE
(REFERENCE: PCB THICKNESS 1.0mm, STENCIL THICKNESS 0.12mm, APERTURE RATIO 100%)

 :パターン禁止エリア
RESTRICTED AREA
NO PCB COMPONENTS ALLOWED



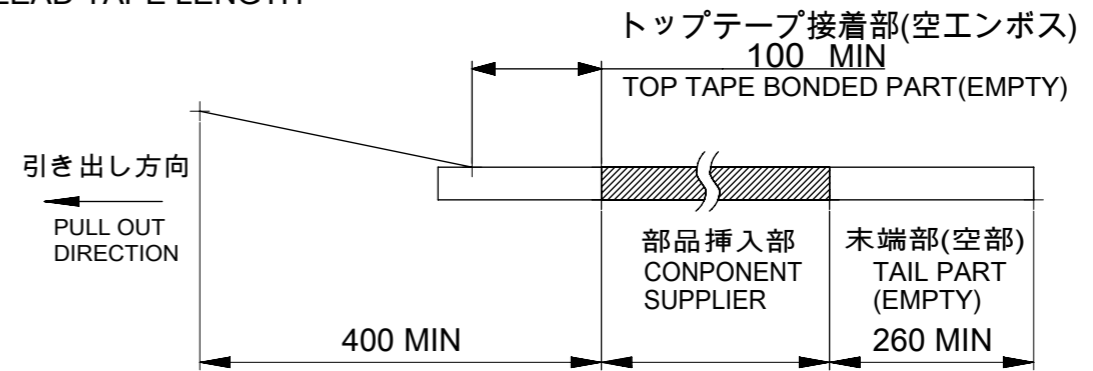
嵌合図
MATED CONNECTORS

THIS DRAWING CONTAINS INFORMATION THAT IS PROPRIETARY TO MOLEX ELECTRONIC TECHNOLOGIES, LLC AND SHOULD NOT BE USED WITHOUT WRITTEN PERMISSION									
DIMENSION UNITS		SCALE		CURRENT REV DESC:					
mm		NTS		molex					
GENERAL TOLERANCES (UNLESS SPECIFIED)				PICO-CLASP 1.0 W/B SINGLE ROW VT SMT OUTER LOCK TIN PLATING					
ANGULAR TOL ± 3.0 °				PRODUCT CUSTOMER DRAWING					
4 PLACES ± 0.2				EC NO: 635683		2020/04/10		DOCUMENT NUMBER	
3 PLACES ± 0.2				DRWN: MIKEDA01		2020/05/13		5019400000-SD	
2 PLACES ± 0.2				CHK'D: SAKIYAMA		2020/05/14		DOC TYPE DOC PART REVISION	
1 PLACE ± 0.2				APPR: KOMURAKAMI		2020/05/14		PSD 000 B	
0 PLACES ± 0.2				INITIAL REVISION:				MATERIAL NUMBER CUSTOMER SHEET NUMBER	
DRAFT WHERE APPLICABLE MUST REMAIN WITHIN DIMENSIONS				DRWN: AISHIKAWA		2019/03/13		SEE SHEET 5 GENERAL 2 OF 5	
				APPR: KOMURAKAMI		2019/04/03			
THIRD ANGLE PROJECTION		DRAWING		SERIES		MATERIAL NUMBER		CUSTOMER	
		A3-SIZE		501940		SEE SHEET 5		GENERAL	

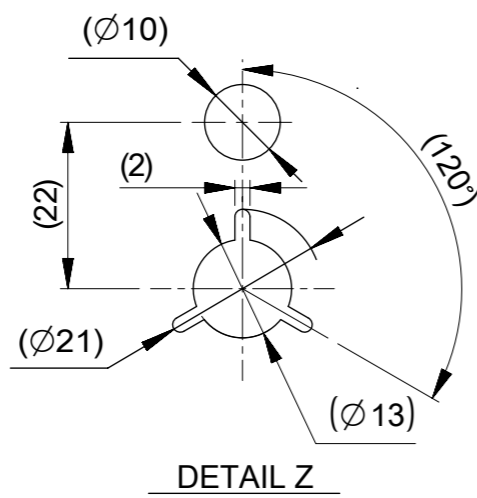


NOTES

- 9. 梱包数量:1100個/リール
NUMBER OF CONNECTORS : 1100 PIECES/REEL
- 10. リードテープ長さ
LEAD TAPE LENGTH



- 11. トップテープの剥離強度はIEC60286-3に準拠。
TOP TAPE PEELING FORCE IS DEFINED BY IEC60286-3.
- 12. 梱包仕様書 : SPK-501940-001
PACKAGE SPECIFICATION:
- 13. 発注番号 : SHEET 5 参照
ORDER No. : PLEASE REFER TO SHEET 5 FOR PRODUCT LIST.



501940 ** * *

極数 CIRCUIT SIZE	ハウジングカラー HOUSING COLOR	製品識別番号 IDENTIFICATION NUMBER
	0:NATURAL(BEIGE)	7:EMBOSSED PACKAGE

THIS DRAWING CONTAINS INFORMATION THAT IS PROPRIETARY TO MOLEX ELECTRONIC TECHNOLOGIES, LLC AND SHOULD NOT BE USED WITHOUT WRITTEN PERMISSION		CURRENT REV DESC:		molex	
DIMENSION UNITS mm	SCALE NTS	EC NO: 635683			
GENERAL TOLERANCES (UNLESS SPECIFIED)		DRWN: MIKEDA01 2020/04/10		PICO-CLASP 1.0 W/B	
ANGULAR TOL	± 3.0 °	CHK'D: SAKIYAMA 2020/05/13		SINGLE ROW VT SMT OUTER LOCK TIN PLATING	
4 PLACES	± 0.2	APPR: KOMURAKAMI 2020/05/14		PRODUCT CUSTOMER DRAWING	
3 PLACES	± 0.2	INITIAL REVISION:		DOCUMENT NUMBER	
2 PLACES	± 0.2	DRWN: AISHIKAWA 2019/03/13		5019400000-SD	
1 PLACE	± 0.2	APPR: KOMURAKAMI 2019/04/03		DOC TYPE	DOC PART
0 PLACES	± 0.2	THIRD ANGLE PROJECTION		PSD	000
DRAFT WHERE APPLICABLE MUST REMAIN WITHIN DIMENSIONS		DRAWING	SERIES	MATERIAL NUMBER	CUSTOMER
		A3-SIZE	501940	SEE SHEET 5	GENERAL
				REVISION	
				000	B
				SHEET NUMBER	
				3 OF 5	

番号 NO.	部品 PART	材質 MATERIAL
⑤	リール REEL	ポリスチレン(PS) <リサイクル材を含む> POLYSTYRENE(PS) <RECYCLE MATERIAL CONTAINED>
DOCUMENT STATUS	P1	RELEASE DATE 2020/05/14 10:49:39

引き出し方向
PULL OUT DIRECTION

16mm幅テープ
TAPE WIDTH:16mm

⑦ TOP TAPE

CONNECTOR

⑥ CARRIER TAPE

SECTION Y-Y

(7.5) コネクター中心位置
CENTER OF CONNECTOR

SECTION X-X

(2.0) エンボスポケット中心位置
CENTER OF EMBOSSED POCKET

累積ピッチ : 40 ±0.2
ACUUMLATIVE PITCH:

CIRCUIT 1 $\phi 1.5^{+0.1}_{0.0}$

1.75 ±0.1

(D)

16.0 ±0.3

12.0 ±0.1

(5.65)

(2.55)

0.5 ±0.05

(5.65)

(5.8)

(6.8)

8.3	5
7.3	4
6.3	3
D	極数 CIRCUIT SIZE

THIS DRAWING CONTAINS INFORMATION THAT IS PROPRIETARY TO MOLEX ELECTRONIC TECHNOLOGIES, LLC AND SHOULD NOT BE USED WITHOUT WRITTEN PERMISSION

DIMENSION UNITS	SCALE	CURRENT REV DESC:	
mm	NTS		
GENERAL TOLERANCES (UNLESS SPECIFIED)		molex	
ANGULAR TOL	± 3.0 °	PICO-CLASP 1.0 W/B	
4 PLACES	± 0.2	SINGLE ROW VT SMT OUTER LOCK TIN PLATING	
3 PLACES	± 0.2	PRODUCT CUSTOMER DRAWING	
2 PLACES	± 0.2	DOCUMENT NUMBER	
1 PLACE	± 0.2	5019400000-SD	
0 PLACES	± 0.2	DOC TYPE DOC PART REVISION	
DRAFT WHERE APPLICABLE MUST REMAIN WITHIN DIMENSIONS		PSD 000 B	
THIRD ANGLE PROJECTION		MATERIAL NUMBER CUSTOMER SHEET NUMBER	
DRAWING SERIES		SEE SHEET 5 GENERAL 4 OF 5	
A3-SIZE		501940	

番号 NO.	部品 PART	材質 MATERIAL
⑥	キャリアテープ CARRIER TAPE	ポリプロピレン(PP)、その他 POLYPROPYLENE(PP), etc
⑦	トップテープ TOP TAPE	ポリエチレン(PE)、その他 POLYETHYLENE(PE), etc

DOCUMENT STATUS	P1	RELEASE DATE	2020/05/14	10:49:39
-----------------	----	--------------	------------	----------

9 8 7 6 5 4 3 2 1

E

E

D

D

C

C

B

B

A

A

△13 製品一覧 PRODUCT LIST

HOUSING COLOR	
NATURAL(BEIGE)	
501940 0507	5
501940 0407	4
501940 0307	3
発注番号 ORDER No	極数
梱包形態 : エンボスリール PACKAGE:EMBOSSSED REEL	CIRCUIT SIZE

THIS DRAWING CONTAINS INFORMATION THAT IS PROPRIETARY TO MOLEX ELECTRONIC TECHNOLOGIES, LLC AND SHOULD NOT BE USED WITHOUT WRITTEN PERMISSION											
DIMENSION UNITS	SCALE	CURRENT REV DESC:					molex				
mm	NTS										
GENERAL TOLERANCES (UNLESS SPECIFIED)		EC NO: 635683					PICO-CLASP 1.0 W/B				
ANGULAR TOL	± 3.0 °	DRWN: MIKEDA01 2020/04/10					SINGLE ROW VT SMT OUTER LOCK TIN PLATING				
4 PLACES	± 0.2	CHK'D: SAKIYAMA 2020/05/13					PRODUCT CUSTOMER DRAWING				
3 PLACES	± 0.2	APPR: KOMURAKAMI 2020/05/14					DOCUMENT NUMBER				
2 PLACES	± 0.2	INITIAL REVISION:					5019400000-SD		DOC TYPE	DOC PART	REVISION
1 PLACE	± 0.2	DRWN: AISHIKAWA 2019/03/13							PSD	000	B
0 PLACES	± 0.2	APPR: KOMURAKAMI 2019/04/03									
DRAFT WHERE APPLICABLE MUST REMAIN WITHIN DIMENSIONS		THIRD ANGLE PROJECTION	DRAWING	SERIES	MATERIAL NUMBER	CUSTOMER		SHEET NUMBER			
			A3-SIZE	501940	SEE SHEET 5	GENERAL		5 OF 5			

DOCUMENT STATUS	P1	RELEASE DATE	2020/05/14	10:49:39
-----------------	----	--------------	------------	----------

9 8 7 6 5 4 3 2 1

FORMAT: master-ib-prod-A3
REVISION: 11
DATE: 2018/01/18