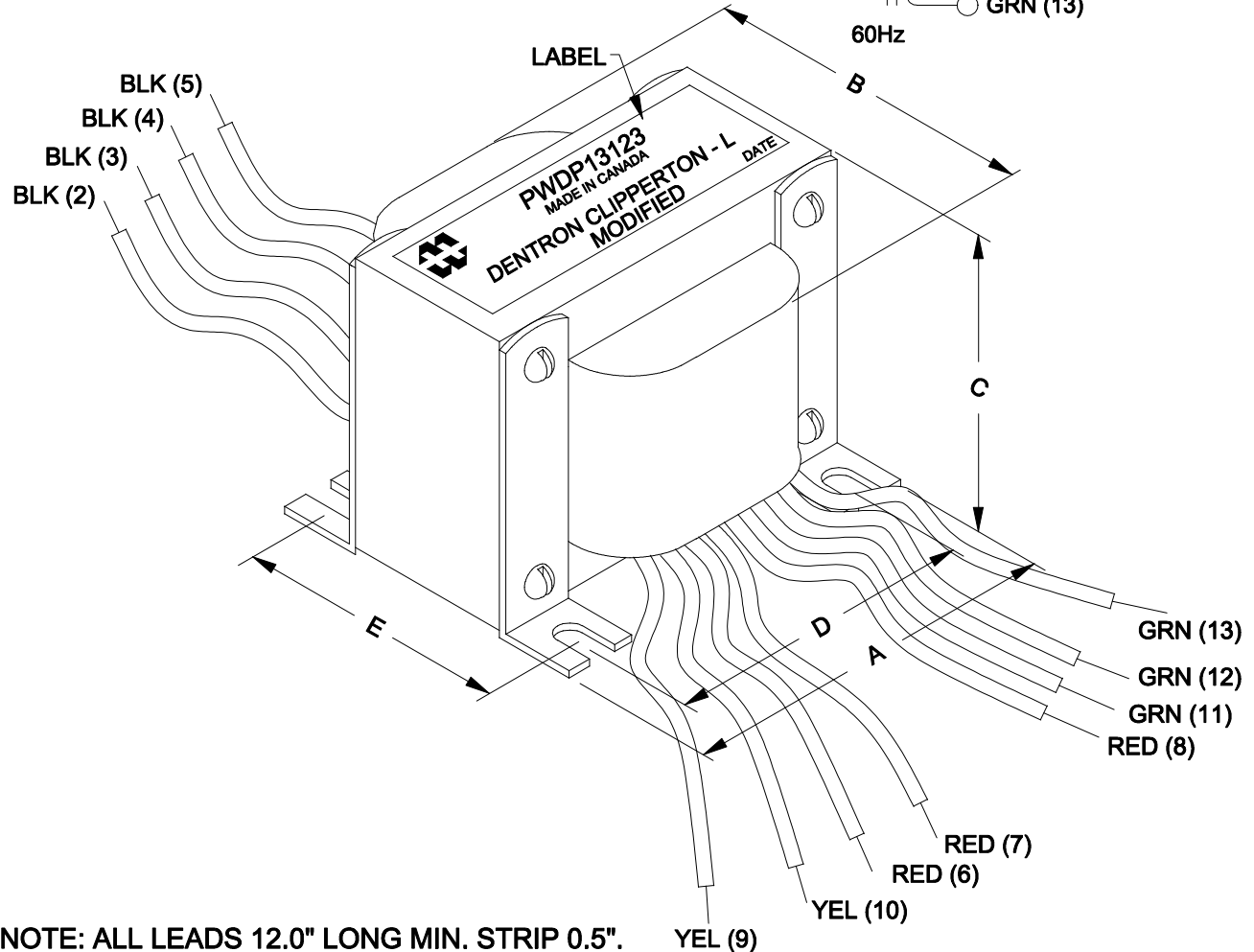
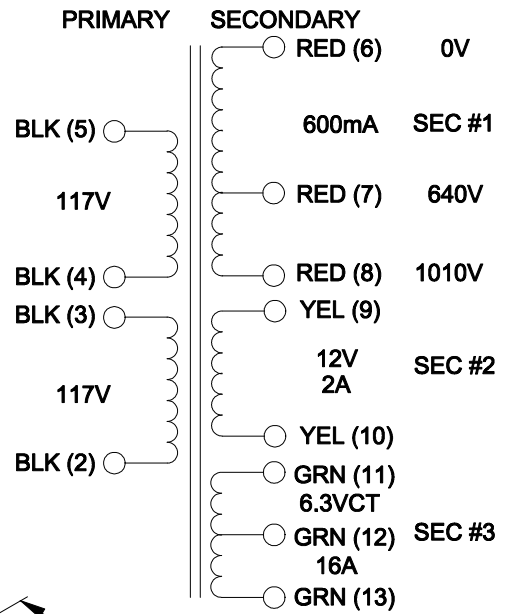


DIMENSIONS:	
A	5.750" ±0.063
B	6.650" MAX.
C	4.250" ±0.063
D	4.938" ±0.063
E	4.625" ±0.063
G	0.203" x 0.400" ±0.015



NOTE: ALL LEADS 12.0" LONG MIN. STRIP 0.5".

HAMMOND
MANUFACTURING T.M.

ELECTRONIC DIVISION
52 RANKIN PLACE,
WATERLOO, ONTARIO, N2J 3Z5
PH # (519) 886-6181
FAX # (519) 886-9540

TITLE			
DENTRON CLIPPERTON - L			
NO	DATE	REVISION	DWG. BY
0	06/29/17	RELEASED.	C.I.
			DATE
			06/29/17
			DIM IN()MM()

EDBPWDP13123