

PART NAME: KNOB

SCALE: 1:1

DATE: 3/18/94

DR. BY HD



DESIGNERS & MANUFACTURERS
OF KNOBS, HANDLES, CASES &
CUSTOM PLASTIC COMPONENTS

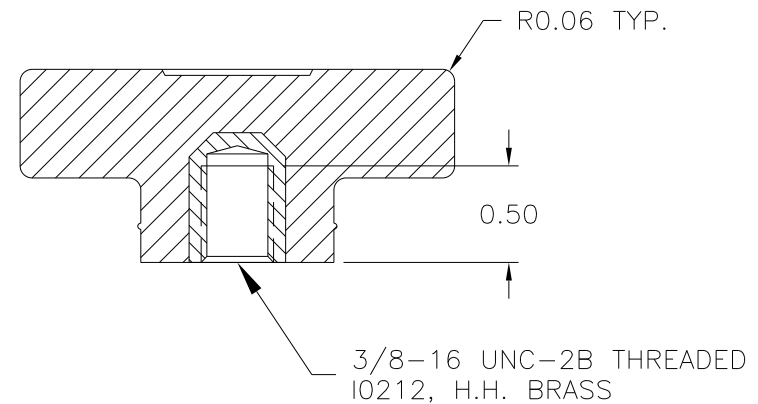
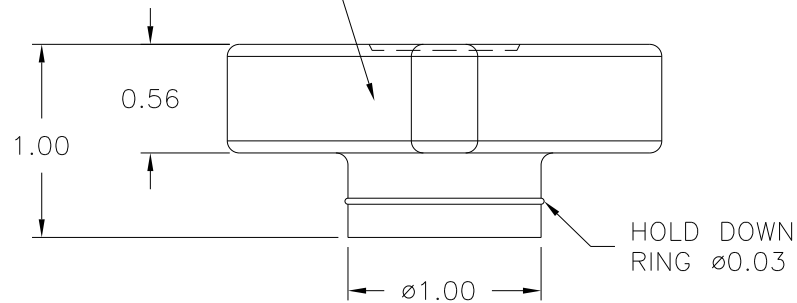
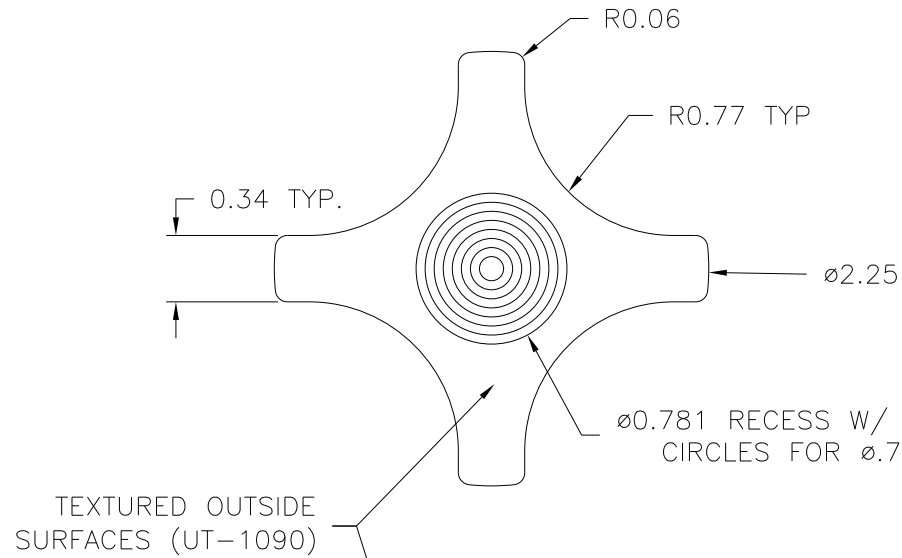
P/N 2837-B

THIS DRAWING IS THE PROPERTY OF DAVIES MOLDING COMPANY. IS SUBMITTED SOLELY AS A DESIGN OR ENGINEERING PROJECT.
WE ACCEPT NO RESPONSIBILITY WHATSOEVER FOR THE PRACTICAL APPLICATION OF THE PIECES MADE TO THIS DESIGN.

DO NOT SCALE DRAWING

M^{NO.} 73

CAVITY	2837
CAVITY PLUG	2837
CORE	2837
SLEEVE	M-2837
PIN	2837-B
INSERT	I0212



MATERIAL: 20% TALC-FILLED POLYPROPYLENE (BC9)
COLOR: BLACK

TOLERANCES: UNLESS OTHERWISE SPECIFIED	DO NOT SCALE DRAWING				
DECIMALS: X.XXX ± .005 X.XX ± .015	MM: X.XX ± 0.15MM X.X ± 0.4MM				
FRACTIONS ± 1/64	ANG. ± 1°	CHANGES			