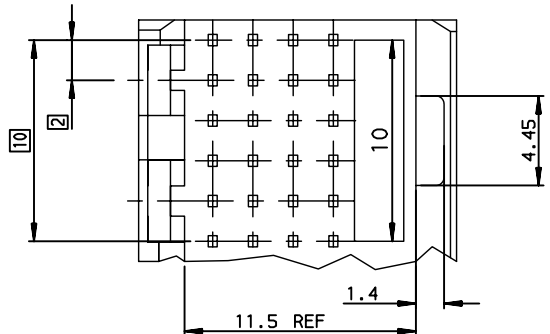
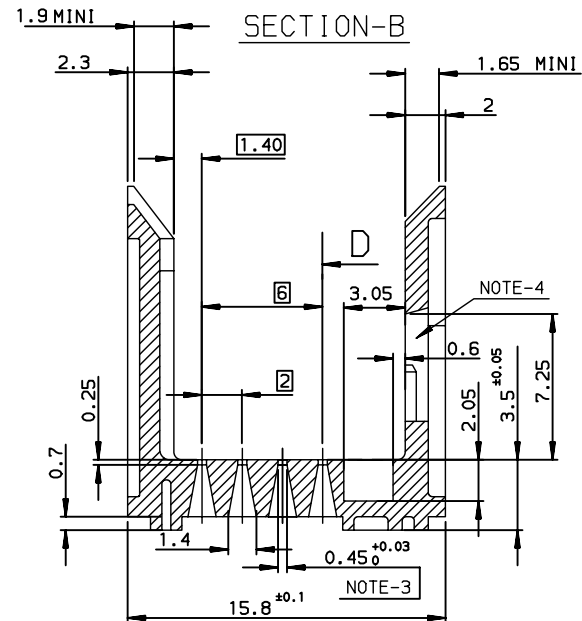
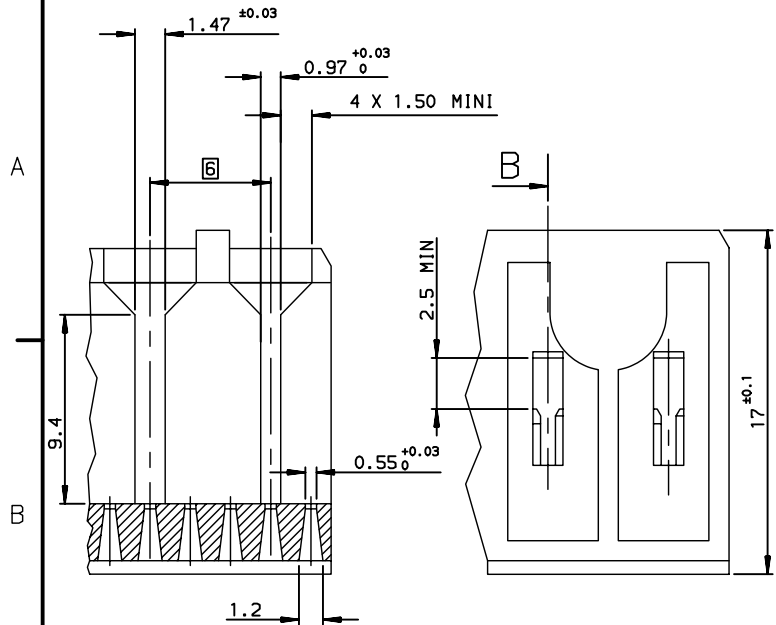


REDUCED SCALE SHEET



24 WAYS

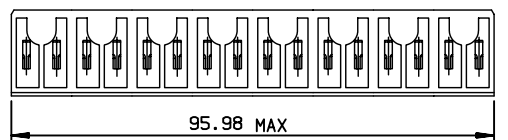
11.98 MAX

48 WAYS

23.98MAX

96 WAYS

47.98 MAX



192 WAYS

NB OF WAY	PART NUMBERS	COMMENTS
24	HM13211LF OR 70203-111LF	RoHS COMPATIBLE VERSION
48	HM13212LF OR 70203-112LF	RoHS COMPATIBLE VERSION
96	HM13213LF OR 70203-113LF	RoHS COMPATIBLE VERSION
192	HM13214LF OR 70203-114LF	RoHS COMPATIBLE VERSION

NOTE-1: OTHER DIMENSIONS IN ACCORDANCE WITH IEC-48B-(S.296) SPECIFICATION
 NOTE-2: MATERIAL LCP NATURAL COLOUR
 NOTE-3: FORCE FIT CAVITIES FOR RETENTION WITH REAR PLUG-UP CONTACT PART
 NOTE-4: CAVITY FOR LATCHING AND CODING

NOTE:RoHS INFORMATIONS

- The "LF" product meets European union Directives and other country regulations as described in 65-22-008.
- The product is not intended to be exposed to a manufacturing solder process.
- Packaging spec: see 65-14-920.

rev	ecn no	dr	date
M	-	TAR	2005/10/01
N	LS06-0114	LGO	2006/08/10
P	LS07-0249	LGO	2007/10/02
-	-	-	-
-	-	-	-
-	-	-	-

www.fciconnect.com		surface ISO 1302 ✓	tolerance std ISO 406 ISO 1101	projection mm
TOLERANCES UNLESS OTHERWISE SPECIFIED				
Dr	PERRICHOT	2002/08/22	ANGULAR	0.X ±0.1
Eng	PERRICHOT	2002/08/22	LINEAR	0.XX ±0.1
Chr	LEGARE	2002/08/22	0.XX' ±2'	0.XXX ±0.1
Appr	LEGARE	2002/08/22	Product family	METRAL
title METRAL SHROUD 4 ROWS STANDARD			size A3	Scale 4
catalog no			ECN LS07-0249	Spec ref -
title WIDE BODY STAND-OFF 3.5mm			dwg no 70203	Rev. P
CUSTOMER			sheet 1 of 1	

European Views

Copyright FCI. FCJ