

Precise, Adjustable Low Pressure Switch

Sensitive differential switches are the perfect fit for those needing a sensitive, adjustable switch at an affordable price. These switches sense very low pressures such as less than an inch of water (Range = 0.25 inches of water to 35 inches of water). For a frame of reference, a trumpet player blows 55 inches of water (or 2 Psi) on average, so these switches are very sensitive. They can be setup to sense either pressure, vacuum, or the difference between two sources of pressure or vacuum. The switches are also adjustable and can be fine-tuned on the fly by calibrating the set screw. The switches can respond to rapid pulsing and their gold-plated silver contacts will handle low level switching currents.

Connections:

NORMALLY OPEN CONTACTS

Connect the pressure source to inlet port B and set the adjusting screw to the desired set point. Turning the adjusting screw clockwise narrows the gap between contacts and decreases the set point.

NORMALLY CLOSED CONTACTS

Connect the pressure source to inlet port A and monitor continuity across the terminals. Slowly turn the adjusting screw clockwise, narrowing the gap between contacts until they are closed.



Sensitive Differential Switch
1.75" x 1.25" x 1"

General Specification:

APPROVAL: UL Recognized, CUL Recognized for 100,000 cycles. File #E80254

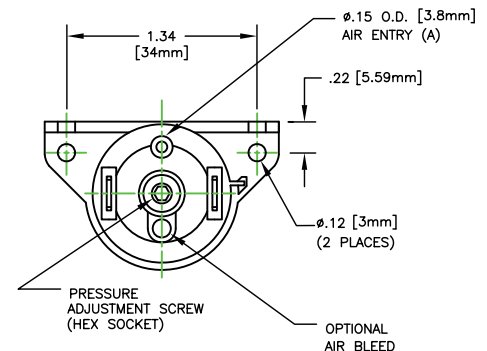
MATERIAL: Acetal Body/Acetal Mechanism
EPDM Diaphragm - Other material available, call us for more information.

OPERATING TEMPERATURE: -22°F to 150°F

CONSTRUCTION: Terminals are molded into the plastic body for maximum strength and seating. Upper body and lower body are welded together using microprocessor controlled ultrasonic welding equipment to insure permanent leak proof bonding.

TESTING: All switches are 100% tested at high and low range points and set points. Units are 100% tested at proof pressure.

SETTING: Field adjustable or Factory Set options available. Contact us!



PRESSURE RANGE (INCHES WATER, GAUGE)			STANDARD ELECTRICAL RATING		REPEAT ACCURACY	CONTACT RESISTANCE	PROOF PRESSURE (INCHES OF WATER)	PART NUMBER
PRESSURE	VACUUM	DIFFERENTIAL	MAX. RESISTIVE	MIN. RESISTIVE	CONSTANT TEMPERATURE			
0.25-15	0.25-15	0.25-15	750 ma 250VAC	5 ma 3VDC	+/-4%	0.04 OHMS	250	D1000E
0.25-35	0.25-35	0.25-35	1 amp 250VAC	5 ma 3 VDC	+/-3%	0.02 OHMS	350	D1001E

PRESAIR SWITCHES ARE DESIGNED & MANUFACTURED IN ALTOONA, WI, U.S.A.