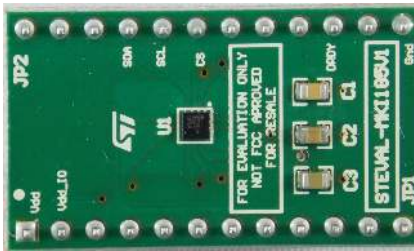


IIS2MDC adapter board for a standard DIL24 socket



Features

- Complete IIS2MDC pinout for a standard DIL24 socket
- Fully compatible with the STEVAL-MKI109V3 motherboard
- RoHS compliant

Description

The [STEVAL-MKI185V1](#) adapter board is designed to facilitate the evaluation of MEMS devices in the IIS2MDC product family. The board offers an effective solution for fast system prototyping and device evaluation directly within the user's application.

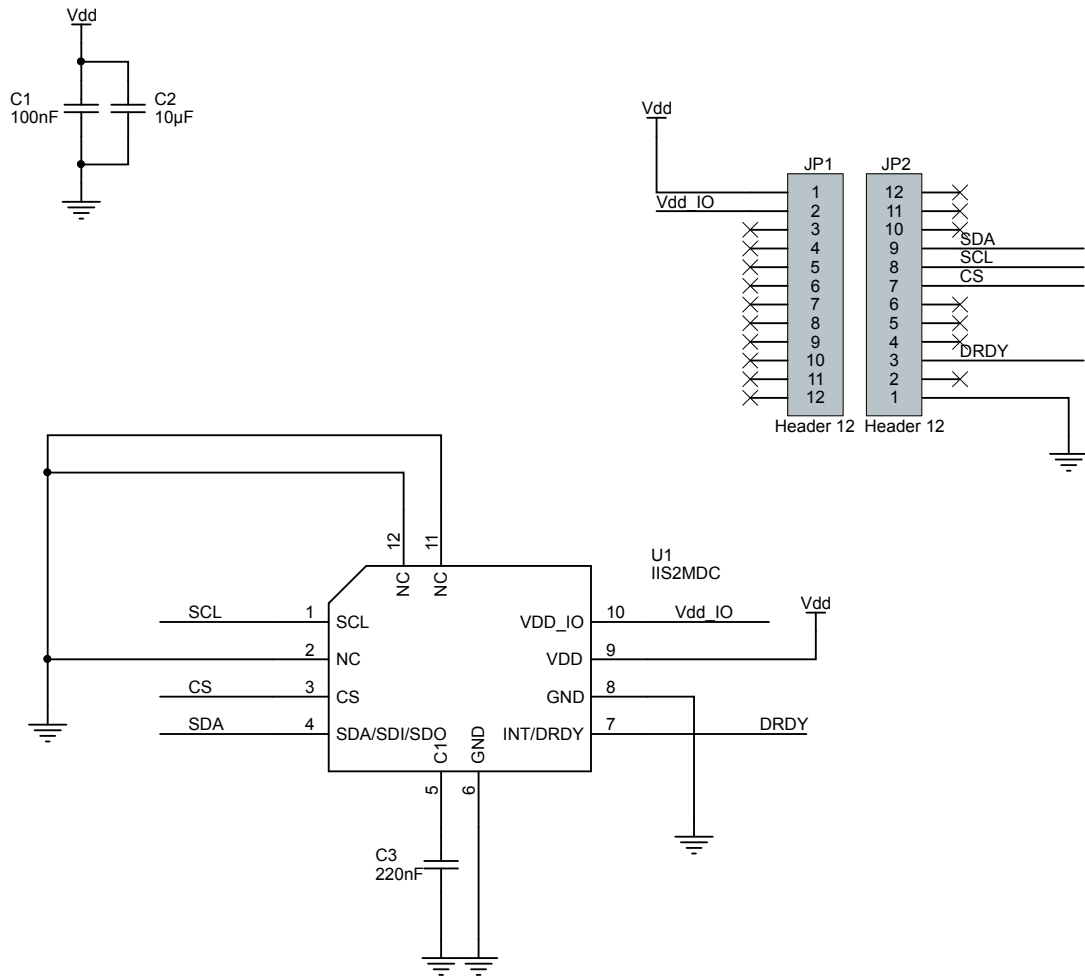
The STEVAL-MKI185V1 can be plugged into a standard DIL24 socket. The adapter provides the complete IIS2MDC pinout and comes ready-to-use with the required decoupling capacitors on the V_{DD} power supply line.

This adapter is supported by the [STEVAL-MKI109V3](#) motherboard, which includes a high performance 32-bit microcontroller functioning as a bridge between the sensor and a PC, on which it is possible to use the downloadable graphical user interface (Unico GUI), or dedicated software routines for customized applications.

Summary table

STEVAL-MKI185V1	STEVAL-MKI185V1
IIS2MDC high-accuracy, ultra-low-power, 3-axis digital output magnetometer	IIS2MDC
Unico GUI	Windows Linux Mac OS X
STEVAL-MKI109V3 motherboard	STEVAL-MKI109V3

1 Schematic diagrams

Figure 1. STEVAL-MKI185V1 circuit schematic


Revision history

Table 1. Document revision history

Date	Version	Changes
11-Jan-2018	1	Initial release.

IMPORTANT NOTICE – PLEASE READ CAREFULLY

STMicroelectronics NV and its subsidiaries (“ST”) reserve the right to make changes, corrections, enhancements, modifications, and improvements to ST products and/or to this document at any time without notice. Purchasers should obtain the latest relevant information on ST products before placing orders. ST products are sold pursuant to ST’s terms and conditions of sale in place at the time of order acknowledgement.

Purchasers are solely responsible for the choice, selection, and use of ST products and ST assumes no liability for application assistance or the design of Purchasers’ products.

No license, express or implied, to any intellectual property right is granted by ST herein.

Resale of ST products with provisions different from the information set forth herein shall void any warranty granted by ST for such product.

ST and the ST logo are trademarks of ST. All other product or service names are the property of their respective owners.

Information in this document supersedes and replaces information previously supplied in any prior versions of this document.

© 2018 STMicroelectronics – All rights reserved