

# Type LPX-04B-I In-Line Indicating Fuse Holder Maxi Auto Blade Fuses Waterproof



www.optifuse.com

(619) 593-5050

## Ratings:

**Fuse Type:** Maxi Auto Blade – APX

**Electrical Rating:** 20A-60A 24VDC

**IP Rating:** IP66

**Body:** PVC

**Contacts:** Tin plated Brass

**With LED** warning light when fuse is opened.

**Standard Wire Gauges:** #6 AWG

**Standard Wire Colors:** Red

**Standard Body colors:** Black

**Standard Wire Length:** 5 inches

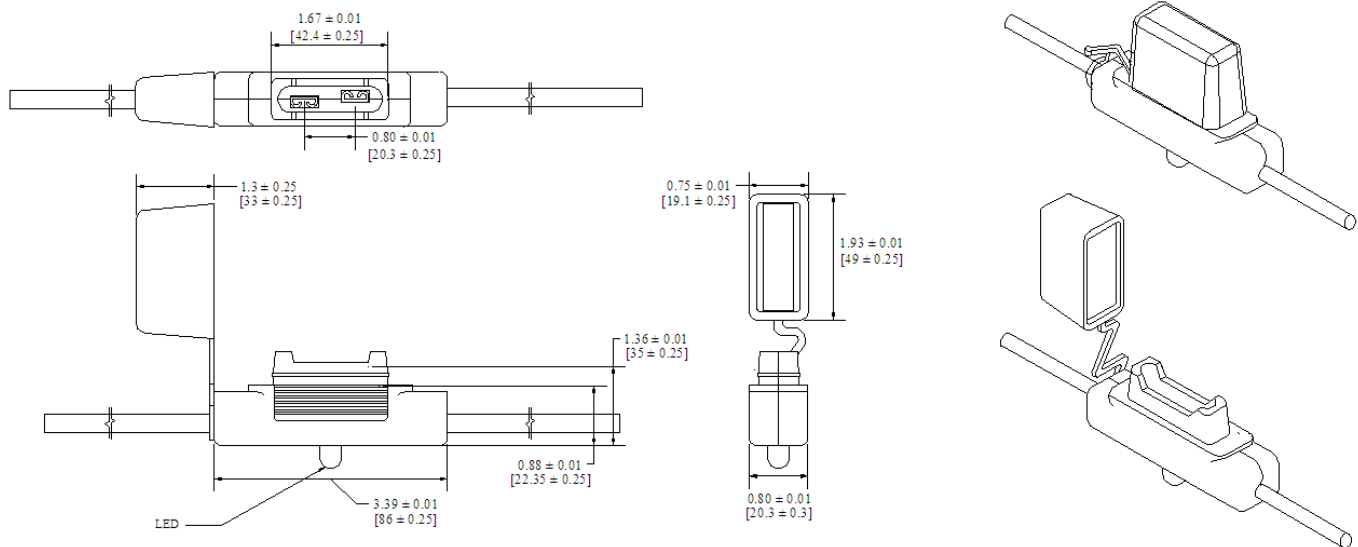
## Part number format

**LPX-04B-I-##R**

where ## = Wire gauge

Available in various wire gauges and lengths, and wire colors.  
Contact factory for those not listed above.

## Mechanical Dimensions: Inches [mm]



## Warning:



- Operation beyond the specified maximum ratings or improper use may result in damage and possible electrical arcing and/or flame.
- Avoid contact of device with chemical solvent. Prolonged contact may damage the device performance.
- Not designed for prolonged liquid exposure or submersible applications.