

**PROPER USE GUIDELINES**

Cumulative Trauma Disorders can result from the prolonged use of manually powered hand tools. Hand tools are intended for occasional use and low volume applications. A wide selection of powered application equipment for extended-use, production operations is available.

**1. INTRODUCTION**

This instruction sheet covers tooling selections for crimping, inserting, and extracting screw-machine contacts, and manual application procedures. Application procedures for the other tools are packaged with the tool.

**i NOTE**  
Read these instructions thoroughly before making any selections.

**i NOTE**  
Dimensions in this instruction sheet are in millimeters [with inches in brackets]. Figures and illustrations are for reference only and are not drawn to scale.

Reasons for reissue of this instruction sheet are provided in Section 7, REVISION SUMMARY.

**2. DESCRIPTION**

- The screw-machine contacts are supplied in loose-piece for manual (4/8-indent hand crimping tools) application and tape mounted for power assisted (machine) application. Insertion and extraction tools are used to insert contacts into and extract contacts from connectors (see Figure 1).

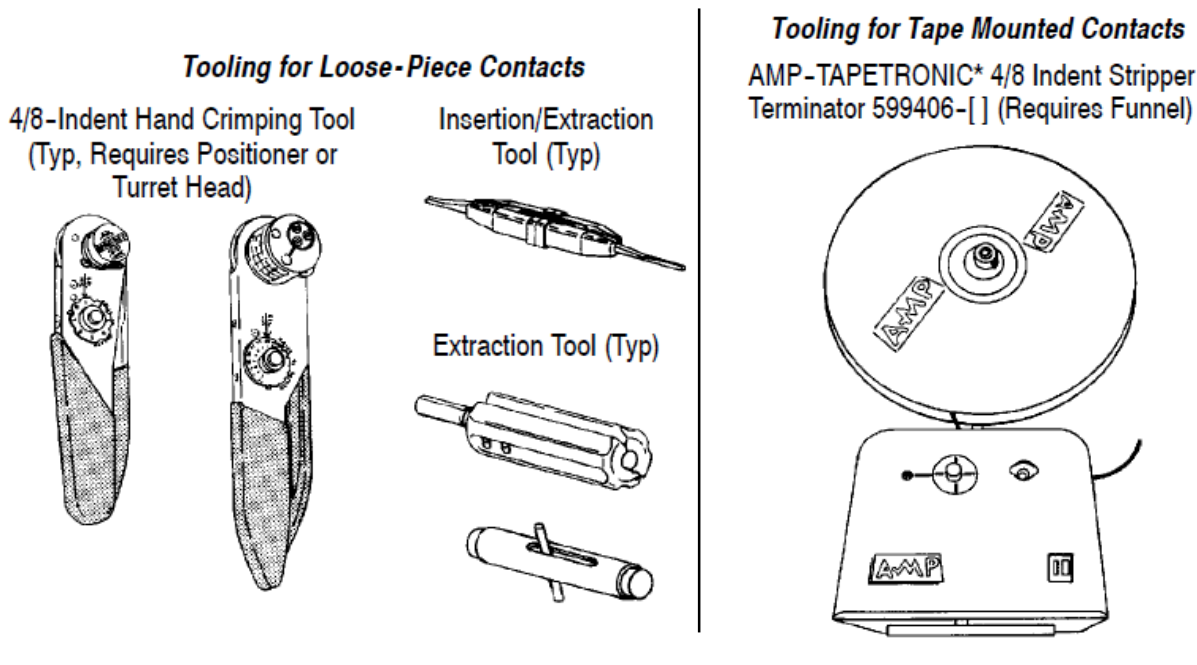


Figure 1

- The military uses a standardized numbering system which pertains to the tools that are qualified to military specifications (spec). Refer to Figure 2 for a cross-reference of these tools.
- Refer to Figure 3 for proper contact and tooling combination. **Note:** Read the chart from the left page across to the right page.

Description	Part	Military Spec
4/8- Indent Hand Crimping Tool	601966-1	MIL-C-22520/2-01
	601967-1	MIL-C-22520/1-01
	608651-1	---
Positioner or Turret Head	601966-2	MIL-C-22520/2-02
	601966-4	MIL-C-22520/2-06
	601966-5	MIL-C-22520/2-08
	601966-6	MIL-C-22520/2-09
	601966-8	MIL-C-22520/2-23
	601967-2	MIL-C-22520/1-02
	1-601967-2	MIL-C-22520/1-11
Insertion/Extraction Tool	91066-1	MIL-I-81969/1-01 or MS3156-22
	91067-1	MIL-I-81969/1-04
	91067-2	MIL-I-81969/1-02 or MS3156-20
	91066-3	MIL-I-81969/1-03 or MS3156-16
Extraction Tool	445147-1	MIL-C-81969/28-02
	58284-1	MIL-C-81969/28-03
	91074-1	MIL-C-81969/28-01 or MS3178-001

Figure 2

Product Line	CONTACT				WIRE		TOOL SELECTOR SETTING	
	Size	Pin	Socket	Military Spec	Size (AWG)	Strip Length		
Type II Contact For Multimate Connectors	20	201607	201609	—	28	5.16 [.203]	2	
					26		2	
					24		3	
		—	201353	—	28	5.16 [.203]	2	
					26		2	
					24		3	
		201582	201584-6	—	24	5.16 [.203]	1	
					22		2	
					20		3	
		200334	200331	—	24	5.16 [.203]	1	
					22		2	
					20		3	
		—	201589	—	18	6.35 [.250]	4	
					16		5	
		16	—	201554	—	32	5.16 [.203]	1
						30		1
			201334	—	—	28	5.16 [.203]	2
			—	201332	—	26		2
	24					3		
	201611		—	—	28	5.16 [.203]	2	
	—		201613	—	26		2	
					24	3		
	201578		—	—	22	5.16 [.203]	2	
	—		201580	—	20		3	
	200679		201328	—	24	5.16 [.203]	1	
	201330		—	—	22		2	
	204188	—	20		3			
	200681	200333	—	18	6.35 [.250]	4		
				16		5		
	202507	—	—	18	6.35 [.250]	4		
—	202508	—	16	5				
			18	4				
200336	200333	—	16	6.35 [.250]	5			
			14		5			
201570	201568	—	14	5.16 [.203]	5			
201555	—	—	32		1			
—	201554	—	30		1			

Figure 3 (cont'd)

	Tooling for Loose Piece Contacts		Tooling for Tape Mounted Contacts		CONNECTOR Military Spec	INSERTION TOOL	EXTRACTION TOOL
	Positioner or Turret Head	Hand Crimping Tool	Machine	Funnel			
→	1-601967-5	58305-1 or 601967-1	—	—	—	200893-2 or 91002-1	305183
	1-601967-5	58305-1 or 601967-1	—	—	—	200893-2 or 91002-1	305183
	1-601967-5	58305-1 or 601967-1	—	—	—	200893-2 or 91002-1	305183
	1-601967-5	58305-1 or 601967-1	—	—	—	200893-2 or 91002-1	305183
	1-601967-6	45098 or 601967-1	—	—	—	200893-2 or 91002-1	305183
	1-601967-5	58305-1 or 601967-1	—	—	—	200893-2 or 91002-1	305183
→	1-601967-6	58305-1 or 601967-1	—	—	—	200893-2 or 91002-1	305183
	1-601967-5						
	1-601967-6	58305-1 or 601967-1	—	—	—	200893-2 or 91002-1	305183
	1-601967-5						
	1-601967-6	58305-1 or 601967-1	—	—	—	200893-2 or 91002-1	305183
	1-601967-5						
	1-601967-5	58305-1 or 601967-1	—	—	—	200893-2 or 91002-1	305183
	1-601967-6						
	1-601967-6	45098 or 601967-1	—	—	—	200893-2 or 91002-1	305183
	1-601967-6	90136-1 or 601967-1	—	—	—	200893-2 or 91002-1	305183
	1-601967-5						
	1-601967-6	45098 or 601967-1	—	—	—	200893-2 or 91002-1	305183
	1-601967-6	58305-1 or 601967-1	—	—	—	—	305183
	1-601967-5						
	1-601967-5	58305-1 or 601967-1	—	—	—	200893-2 or 91002-1	305183

Figure 3 (cont'd)

Product Line	Size	CONTACT			WIRE		TOOL SELECTOR SETTING
		Pin	Socket	Military Spec	Size (AWG)	Strip Length	
Type II Contact For Multimate Connectors	16	—	201609	—	28	5.16 [.203]	2
					26		2
					24		3
		—	201332	—	26	5.16 [.203]	2
					24		3
		200679	201328	—	24	5.16 [.203]	1
					22		2
					20		3
		200681	200333	—	18	5.16 [.203]	4
		200336	—	—	16		5
		204274	—	—	18	5.16 [.203]	4
		202507	—	—	18		4
		204219	202508	—	16		5
		202725	202726	—	18 <sup>②</sup>	5.16 [.203]	5
		201570	—	—	14	5.16 [.203]	5
201645	—	—	5				
—	201568	—	5				
Type VII Contact For Subminiature Connectors	22	202123	202124	—	32 <sup>①</sup>	3.18 [.125]	1
					30 <sup>①</sup>		1
					28		2
					26		2
		204092	—	—	30 <sup>①</sup>	3.18 [.125]	1
					28		2
					26		3
			24		4		
Type XIII Contact For Terminal Junction (TJG) Modules	20	203669-4	—	—	24	4.78 [.188]	5
					22		6
					20		7

① This wire size is not recommended for use in the machine.

② Refer to the instruction sheet (408-series) packaged with the contact for wire strip length.

Figure 3 (cont'd)

	Tooling for Loose Piece Contacts		Tooling for Tape Mounted Contacts		CONNECTOR Military Spec	INSERTION TOOL	EXTRACTION TOOL
	Positioner or Turret Head	Hand Crimping Tool	Machine	Funnel			
→	1-601967-5	58305-1 or 601967-1	—	—	—	200893-2 or 91002-1	305183
→	1-601967-5	58305-1 or 601967-1	—	—	—	200893-2 or 91002-1	305183
→	1-601967-5	58305-1 or 601967-1	—	—	—	200893-2 or 91002-1	305183
→	1-601967-6	45098 or 601967-1	—	—	—	200893-2 or 91002-1	305183
→	1-601967-6	45098 or 601967-1	—	—	—	200893-2 or 91002-1	305183
→	1-601967-5						
→	1-601967-6	45098 or 601967-1	—	—	—	200893-2 or 91002-1	305183
→	1-601967-5	45098 or 601967-1	—	—	—	200893-2 or 91002-1	305183
→	1-601966-0	601966-1	599406-7	1-125905-1	—	91005-2	91004-2
→	1-601966-0	601966-1	599406-7	—	—	—	—
→	601966-2	601966-1	599406-7	—	—	—■	—■

■ Military Spec MIL-I-81969/14

Figure 3 (cont'd)

Product Line	CONTACT				WIRE		TOOL SELECTOR SETTING	
	Size	Pin	Socket	Military Spec	Size (AWG)	Strip Length		
Type XV For ARINC Front Release AM, AD, and AAP Connectors	20	203840	—	—	24	4.78 [.188]	2	
					22		3	
					20		4	
		—	203841	—	24	4.78 [.188]	2	
					22		3	
					20		4	
	16	203884	—	—	20	6.35 [.250]	4	
					18		5	
					16		5	
Type XVII For ARINC Rear Release RM Connectors	22	204873	—	MIL-C-39029/11-144	26	3.96 [.156]	3	
					24		3	
					22		4	
		—	205103	MIL-C-39029/12-148	26	3.96 [.156]	3	
					24		3	
					22		4	
		—	205904	—	30 <sup>①</sup>	3.96 [.156]	4	
					28		5	
					24		5	
	20	204938	—	MIL-C-39029/11-145	24	3.96 [.156]	6	
					22		6	
					20		7	
		—	205116	MIL-C-39029/12-149	24	3.96 [.156]	5	
					22		6	
					20		7	
		—	205791	206887	—	30 <sup>①</sup>	3.96 [.156]	4
						28		5
						26		6
	16	204978	—	MIL-C-39029/11-146	20	6.35 [.250]	4	
					18		5	
					16		6	
		—	205117	MIL-C-39029/12-150	20	6.35 [.250]	4	
					18		5	
					16		6	
12	205763-5	—	—	14	6.35 [.250]	7		
				12		8		
	—	205851-2	—	—	14	6.35 [.250]	7	
				12	8			

① This wire size is not recommended for use in the machine.

Figure 3 (cont'd)

→	Tooling For Loose Piece Contacts		Tooling For Tape Mounted Contacts		CONNECTOR Military Spec	INSERTION TOOL	EXTRACTION TOOL
	Positioner or Turret Head	Hand Crimping Tool	Machine	Funnel			
	601967-2	601967-1	599406-5	125905-8	MIL-C-81659	91039-1	91040-1
	601967-2	601967-1	599406-5	125905-8	MIL-C-8165	91039-1	91040-1
	601967-2	601967-1	599406-5	125905-6	MIL-C-81659	91039-3	91040-3
	601966-8	601966-1	599406-7	1-125905-2	MIL-C-81659	91066-1	91066-1
	601966-8	601966-1	599406-7	1-125905-2	—	91066-1	91066-1
	601966-8	601966-1	599406-7	1-125905-2	—	91066-1	91066-1
→	601966-5	601966-1	599406-7	125905-1 (Max Insulation Dia 1.98 [.078])	MIL-C-81659	91067-2	91067-2
	601966-5	601966-1	599406-7	125905-1 (Max Insulation Dia 1.98 [.078])	—	91067-2	91067-2
	601966-5	601966-1	599406-7	—	—	91067-2	91067-2
	601967-2	601967-1	599406-5	125905-6	MIL-C-81659	91066-3	91066-3
	601967-2	601967-1	599406-5	125905-6	—	91066-3	91066-3
	601967-2	601967-1	—	—	MIL-C-81659	—	445147-1
	601967-2	601967-1	—	—	MIL-C-81659	—	445147-1

Figure 3 (cont'd)



Product Line	CONTACT				WIRE		TOOL SELECTOR SETTING	
	Size	Pin	Socket	Military Spec	Size (AWG, See Note)	Strip Length		
COAXICON* Contact For ARINC Coaxial Connectors	0	—	51781-1	—	RG 214/U	—	—	
	1	225837-1	—	—	Semi-Rigid 141	② (408-2348-02)	8	
		—	225831-1	—	—	RG 214/U	② (408-2348-02)	—
	3	226053-1	—	—	RG 141/U, 58C/U	② (408-2348-01)	8	
		—	225792-1	—	RG 214/U, 213/U	② (408-2348-01)	—	
		—	225792-3	—	RG 58C/U, 141A/U	② (408-2348-01)	8	
	5	225790-1	225791-1	—	RG 58C/U, 141/U	② (408-2348)	5	
		225790-2	225791-2	—	RG 233/U, 142/U	② (408-2348)	5	
		225790-3	—	—	Semi-Rigid 141	② (408-2348)	5	
		225790-4	—	—	RG 180B/U	② (408-2348)	5	
	7	—	225796-1	—	RG 58C/U	② (408-2348-01)	5	
		—	225796-2	—	RG 233/U		5	
	9	225935-1	—	—	RG 58C/U, 141A/U	② (408-2348-03)	5	
		—	225936-1	—	Semi-Rigid 141	② (408-2348-03)	5	
	ARINC 600	22	208262	—	—	26	3.96 [.156]	3
						24		3
22						4		
—		208264	—	—	26	3.96 [.156]	3	
					24		3	
					22		4	
20		208265	—	—	24	3.96 [.156]	5	
					22		6	
					20		7	
		—	208267	—	—	24	3.96 [.156]	5
	22					6		
	20					7		

② Refer to the instruction sheet (408-series) packaged with the contact for wire strip length.

**Note:** Unless otherwise specified

Figure 3 (cont'd)

→	Tooling for Loose Piece Contacts		Tooling for Tape Mounted Contacts		CONNECTOR Military Spec	INSERTION TOOL	EXTRACTION TOOL
	Positioner or Turret Head	Hand Crimping Tool	Machine	Funnel			
	—	69646	—	—	—	—	91040-7
	—	601966-1④ and 220066-1⑤	—	—	—	—	—
	—	220015-1	—	—	—	—	—
	1-601966-8③	601966-1④ and 220066-1⑤	—	—	—	—	—
	—	220015-1	—	—	—	—	—
	—	601966-1④ and 220066-1⑤	—	—	—	—	—
	1-601966-6③	601966-1④ and 220066-1⑤	—	—	—	—	91074-1
	1-601966-6③	601966-1④ and 220066-1⑤	—	—	—	—	91074-1
	1-601966-6③	601966-1④ and 220066-1⑤	—	—	—	—	91074-1
	1-601966-6③	601966-1④ and 220066-1⑤	—	—	—	—	91074-1
	2-601966-6③	601966-1④ and 220066-1⑤	—	—	—	—	—
→	1-601966-6③	601966-1④ and 220066-1⑤	—	—	—	—	—
	1-601966-6③	601966-1④ and 220066-1⑤	—	—	—	—	91074-1
	1-601966-6③	601966-1④ and 220066-1⑤	—	—	—	—	91074-1
	601966-8	601966-1	599406-7	1-125905-2	—	91066-1	91066-1
	601966-8	601966-1	599406-7	1-125905-2	—	91066-1	91066-1
	601966-5	601966-1	599406-7	125905-1	—	91067-2	91067-2
	601966-5	601966-1	599406-7	125905-1 (Max Insulation Dia 1.98 [.078])	—	91067-2	91067-2

③ This positioner is used with Tool 601966-1

④ This tool crimps only the center contact of the pin or socket

⑤ This tool crimps only the ferrule of the pin or socket

Figure 3 (cont'd)

Product Line	Size	CONTACT			WIRE		TOOL SELECTOR SETTING				
		Pin	Socket	Military Spec	Size (AWG, See Note)	Strip Length					
ARINC 600	16	204978	—	—	20	6.35 [.250]	4				
		208268	—	—	18		5				
		213122	—	—	16		6				
		—	208270	—	—	20	6.35 [.250]	4			
						18		5			
						16		6			
	12	208271	—	—	14	6.35 [.250]	7				
		213123	—	—	12		8				
		—	208273	—	—	14	6.35 [.250]	7			
						12		8			
						—		—	—	—	—
						—		—	—	—	—
TRIAXIAL	8	222190	222191	MIL-C-39029-95 and MIL-C-39029-96	—	—	—				
Type XVII For AMPLIMITE+ HDD Connectors	22D	206496	—	—	28	3.96 [.156]	3				
					26		4				
		—	206496	—	—	28	3.96 [.156]	3			
						26		4			
		204370	—	—	MIL-C-39029/58-360	28	3.96 [.156]	1			
						26		2			
						24		3			
						22		4			
		—	204351	—	MIL-C-39029/57-354	28	3.96 [.156]	1			
						26		2			
						24		3			
						22		4			
	—	206071	—	—	28	3.96 [.156]	1				
					26		2				
					24		3				
					22		4				
	20	206794	206795	—	28	3.96 [.156]	5				
					26		6				
		205089	—	—	MIL-C-39029/64-369	24	3.56 [.140]	5			
						22		6			
						20		7			
						—		—	—	—	—

Note: Unless otherwise specified

Figure 3 (cont'd)

→	Tooling for Loose Piece Contacts		Tooling for Tape Mounted Contacts		CONNECTOR Military Spec	INSERTION TOOL	EXTRACTION TOOL
	Positioner or Turret Head	Hand Crimping Tool	Machine	Funnel			
	601967-2	601967-1	599406-5	125905-6	—	91066-3	91066-3
	601967-2	601967-1	599406-5	125905-6	—	91066-3	91066-3
	1-601967-2	601967-1	—	—	—	—	445147-1
	1-601967-2	601967-1	—	—	—	—	445147-1
	—	608650-1	—	—	MIL-C-83527	—	58284-1
	601966-6	601966-1	599406-7	125905-2	—	91067-1	91067-1
	601966-4	601966-1	599406-7	125905-2	—	91067-1	91067-1
→	601966-6	601966-1	599406-7	125905-2	MIL-C-24308	91067-1	91067-1
	601966-4	601966-1	599406-7	125905-2	MIL-C-24308	91067-1	91067-1
	601966-4	601966-1	599406-7	125905-2	—	91067-1	91067-1
	601966-5	601966-1	599406-7	—	—	91067-2	91067-2
	601966-5	601966-1	599406-7	125905-1	MIL-C-24308	91067-2	91067-2

Figure 3 (cont'd)

Product Line	CONTACT				WIRE		TOOL SELECTOR SETTING		
	SIZE	Pin	Socket	Military Spec	Size (AWG)	Strip Length			
Type XVII For AMPLIMITE HDD Connectors	20	—	205090	MIL-C-39029/63-368	24	3.56 [.140]	5		
					22		6		
					20		7		
		1218266-1	1218267-1	—	—	18 <sup>ⓐ</sup>	3.56 [.140]	7	
						18 <sup>ⓐ</sup>		7	
						24		3.56 [.140]	5
		22	6						
		20	7						
		AMPLIMITE Power 8 Contact	8	211159-1	211161-1	—	8	9.53 [.375]	7
10	6								
212007-1	212008-1			—	—	12	9.53 [.375]	1	
						14		1	
212013-1	212014-1			—	—	16	9.53 [.375]	8	
						18		6	
213552	—			—	—	8	9.53 [.375]	7	
						10		6	
LGH* Contact	22			—	204351-1	MIL-C-39029/57-354	28	3.96 [.156]	1
							26		2
		24	3						
		22	4						
		861211 or 863260	—	—	—	28	3.18 [.125]	4	
						26		5	
						24		3.96 [.156]	5
						22			6
	—	867782	—	—	24	3.96 [.156]	5		
					22		6		
					20		7		
	16	—	867328	MIL-C-39029/12-150	—	20	6.35 [.250]	4	
						18		5	
						16		6	
						22 (2) <sup>ⓑ</sup>		4.78 [.188]	6
16						7			

ⓐ 19-strand wire

ⓑ Use two size 22 AWG wires

Figure 3 (cont'd)

➔	Tooling for Loose Piece Contacts		Tooling for Tape Mounted Contacts		CONNECTOR Military Spec	INSERTION TOOL	EXTRACTION TOOL
	Positioner or Turret Head	Hand Crimping Tool	Machine	Funnel			
	601966-5	601966-1	599406-7	125905-1	—	91067-2	91067-2
	601966-5	601966-1	—	—	—	91067-2	91067-2
	601966-5	601966-1	599406-7	125905-1	—	91067-2	91067-2
	608651-2	608651-1	—	—	—	—	318813-1
	608651-2	608651-1	—	—	—	—	318813-1
	608668-2	608668-1	—	—	—	—	318813-1
	608651-3	608651-1	—	—	—	—	318813-1
➔	601966-4	601966-1	—	—	—	—	—
	—	601966-1	—	—	—	—	—
	—	601966-1	—	—	—	—	—
	601967-2	601967-1	—	—	—	91067-1	91067-1
	—■	601967-1	—	—	—	91066-3	91066-3

■ Military Spec MIL-C-22520/1-05

Figure 3 (End)

### 3. TOOLING ASSEMBLY

#### 3.1. Installing Positioner

Refer to Figure 4 and proceed as follows:

1. Squeeze the tool handles together, then allow the handles to FULLY open.



**CAUTION**

*The tool handles must be FULLY opened when installing the positioner; otherwise, damage to the tool will occur.*

2. Insert the post of the positioner into the hole in the back of the tool. **Note:** Make sure the bayonet pin enters the slot in the retainer ring of the tool.

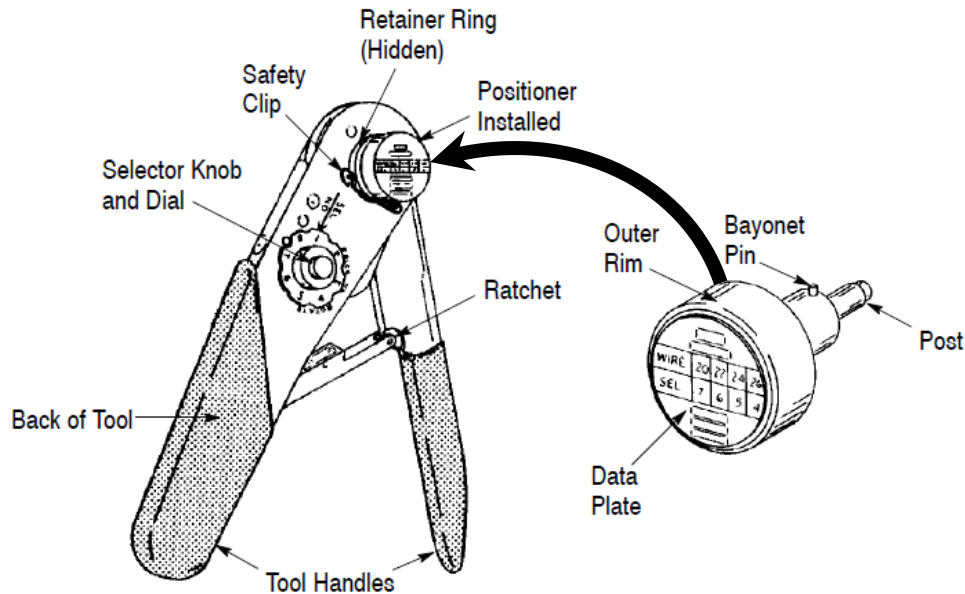


Figure 4

3. Firmly grip the outer rim of the positioner and push until the spring inside the positioner is depressed, then rotate the positioner clockwise until it stops.
4. Insert the tool safety clip into the retainer ring to lock the positioner in place.
5. Determine the selector setting according to the contact size and wire size listed in Figure 3 (or refer to the data plate on the positioner). Pull the selector knob and turn to the proper setting.



**CAUTION**

*The tool handles must be FULLY opened when changing the positioner selector setting; otherwise, damage to the tool will occur.*

#### 3.2. Installing Turret Head

Refer to Figure 5 and proceed as follows:

1. Squeeze the tool handles together, then allow the handles to FULLY open.



**CAUTION**

*The tool handles must be FULLY opened when installing the positioner; otherwise, damage to the tool will occur.*

2. Depress the turret trigger to release the turret from the index position (the turret should be extended).
3. Place the back of the turret head over the retainer ring on the back of the tool. Make sure that the turret head is seated, then tighten the two socket head cap screws of the turret head.
4. Rotate the turret until the positioner marked with the desired contact size is aligned with the index mark.
5. Press the turret until it is in the locked position.

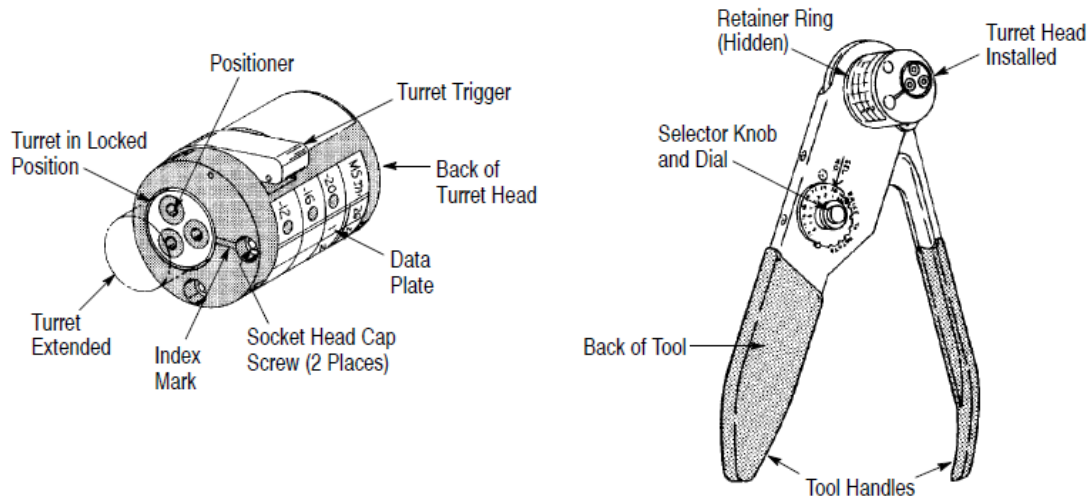


Figure 5

- Determine the selector setting according to the contact size and wire size listed in Figure 3. Pull the selector knob and turn to the proper setting.


**CAUTION**

The tool handles must be FULLY opened when changing the positioner selector setting; otherwise, damage to the tool will occur.

**4. CRIMPING PROCEDURE**

**NOTE**

These tools have a ratchet which ensures proper crimping of the contacts. Once engaged, the ratchet will NOT release until the tool handles are FULLY closed.

- Strip the wire according to the wire size listed in Figure 3.
- Squeeze the tool handles together, then allow the handles to FULLY open.
- Insert the mating end of the contact into the indenter from the FRONT of the tool until the contact bottoms (see Figure 6).

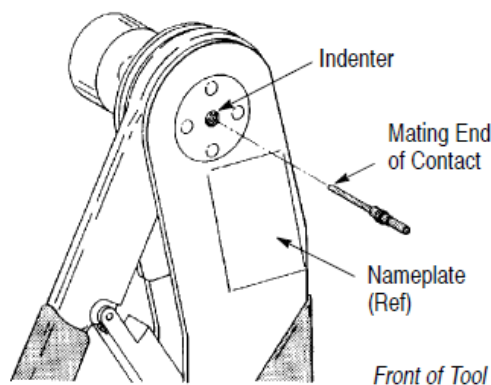


Figure 6

- Insert the wire into the contact wire barrel. While holding the wire in place, squeeze the tool handles until the ratchet releases. Allow the handles to open.
- Remove the crimped contact from the tool.  
Inspect the contact according to the applicable 114 Series Application Specification.



## 5. MAINTENANCE AND INSPECTION

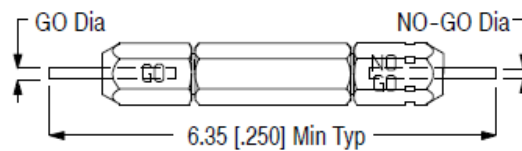
### 5.1. Daily Maintenance

Each operator should be aware of, and responsible for, the following steps of daily maintenance, to ensure continuous quality and reliability of each tool.

1. Remove dust, moisture, and other contaminants with a clean brush, or soft, lint-free cloth. DO NOT use objects that could damage the tool.
2. When the tool is not in use, keep the handles closed, and store the tool in a clean, dry area.

### 5.2. Gaging the Die Opening (Indenters)

This inspection requires the use of a plug gage conforming to the dimensions specified in Figure 7. For plug gages used for periodic general inspection, see Figure 8.



TOOL (Military Spec)	TOOL SELECTOR SETTING	GAGE ELEMENT DIAMETER $\pm 0.003$ [.0001]	
		GO	NO-GO
601966-1 (MIL-C-22520/2-01)	1	0.33 [.013]	0.46 [.018]
	2	0.41 [.016]	0.53 [.021]
	3	0.48 [.019]	0.61 [.024]
	4	0.56 [.022]	0.69 [.027]
	5	0.66 [.026]	0.79 [.031]
	6	0.76 [.030]	0.89 [.035]
	7	0.86 [.034]	0.99 [.039]
	8*	0.99 [.039]*	1.12 [.044]*
608651-1	1	1.78 [.070]	2.03 [.080]
	2	1.91 [.075]	2.16 [.085]
	3	2.03 [.080]	2.29 [.090]
	4*	2.16 [.085]*	2.41 [.095]*
	5	2.34 [.092]	2.59 [.102]
	6	2.51 [.099]	2.77 [.109]
	7	2.74 [.108]	3.00 [.118]
	8	3.00 [.118]	3.25 [.128]
601967-1 (MIL-C-22520/1-01) and 608668-1	1	0.71 [.028]	0.84 [.033]
	2	0.81 [.032]	0.94 [.037]
	3	0.91 [.036]	1.04 [.041]
	4*	0.99 [.039]*	1.12 [.044]*
	5	1.14 [.045]	1.27 [.050]
	6	1.32 [.052]	1.45 [.057]
	7	1.50 [.059]	1.63 [.064]
	8	1.73 [.068]	1.85 [.073]

\* Use for periodic general inspection. The plug gages listed in Figure 8 conform to these gage element diameters.

Figure 7

**For Periodic General Inspection**

TOOL	TOOL SELECTOR SETTING	PLUG GAGE (Military Spec)
601966-1	8	601968-1 (MIL-C-22520/3-01)
601967-1	4	
608668-1	4	
608651-1	4	601968-3

Figure 8

To gage the die opening, proceed as follows:

1. Remove traces of oil or dirt from the die opening and plug gage.
2. Fully close tool handles; then hold in this position. DO NOT force beyond initial contact.
3. Insert GO element into the die opening; but do not force it. The GO element must pass through the length of the die opening (see Figure 9).

**Gaging the Die Opening**

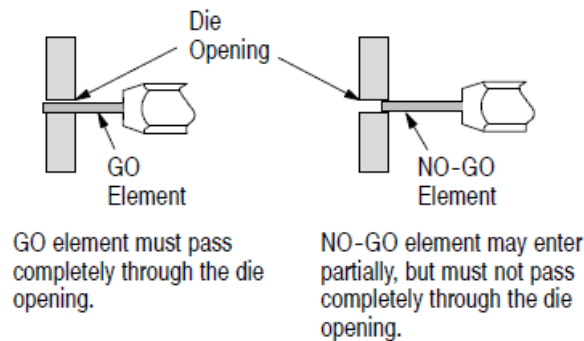


Figure 9

4. In the same manner, try to insert the NO-GO element into the die opening. The NO-GO element may enter partially, but must not pass completely through the length of the die opening (see Figure 9).

**i** **NOTE**  
Be careful NOT to crimp the gage element.

- ♦ If the die opening conforms to the gage inspection, the tool may be considered dimensionally correct and should be lubricated with a THIN coat of any good SAE 20 motor oil.
- ♦ If the die opening does NOT conform to the gage inspection, the tool must be returned for further evaluation and repair.

For additional information regarding the use of a plug gage, refer to Instruction Sheet [408-7424](#).

**6. REPLACEMENT AND REPAIR**

Order replacement parts through your TE representative, or call 1-800-526-5142, or send a facsimile of your purchase order to 717-986-7605, or write to:

CUSTOMER SERVICE (038-035)  
TE CONNECTIVITY CORPORATION  
PO BOX 3608  
HARRISBURG PA 17105-3608

For customer repair service, contact a TE Representative at 1-800-526-5136.

## 7. REVISION SUMMARY

- ◆ Updated format, logo and enterprise name
- ◆ Moved some figures due to formatting changes
- ◆ Figure 10 removed
- ◆ Section 5.3. removed