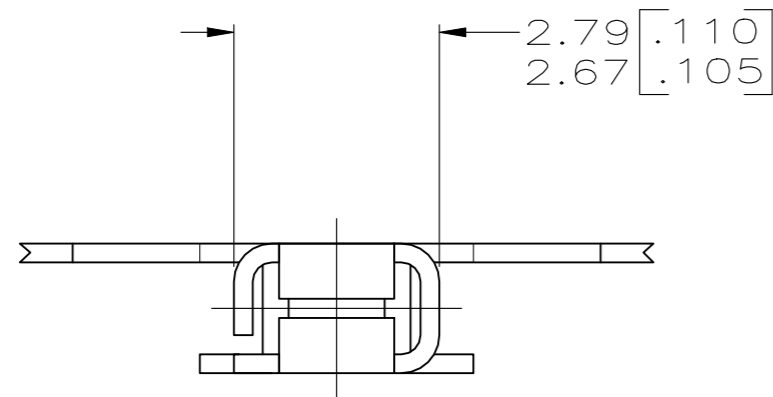
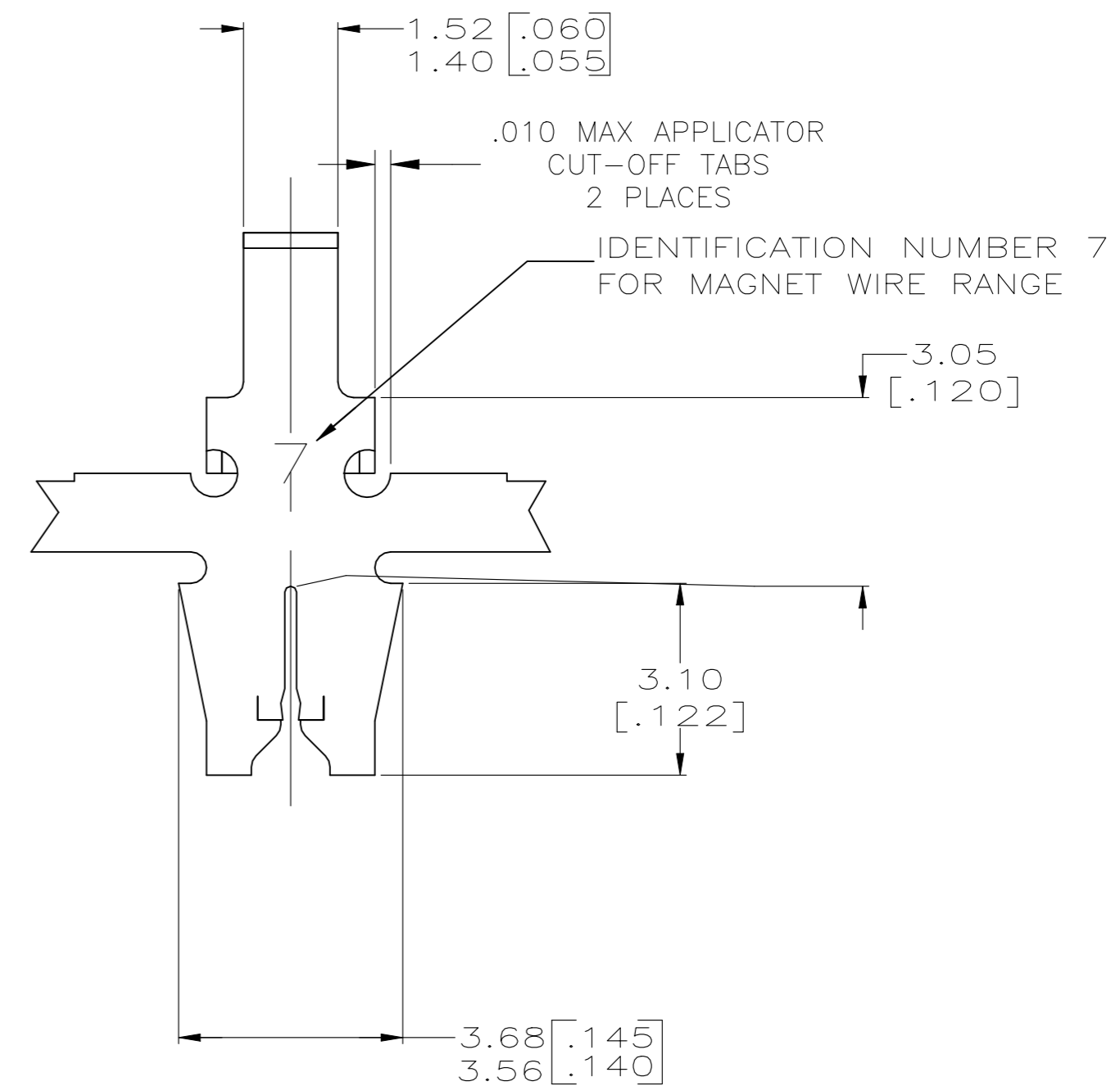
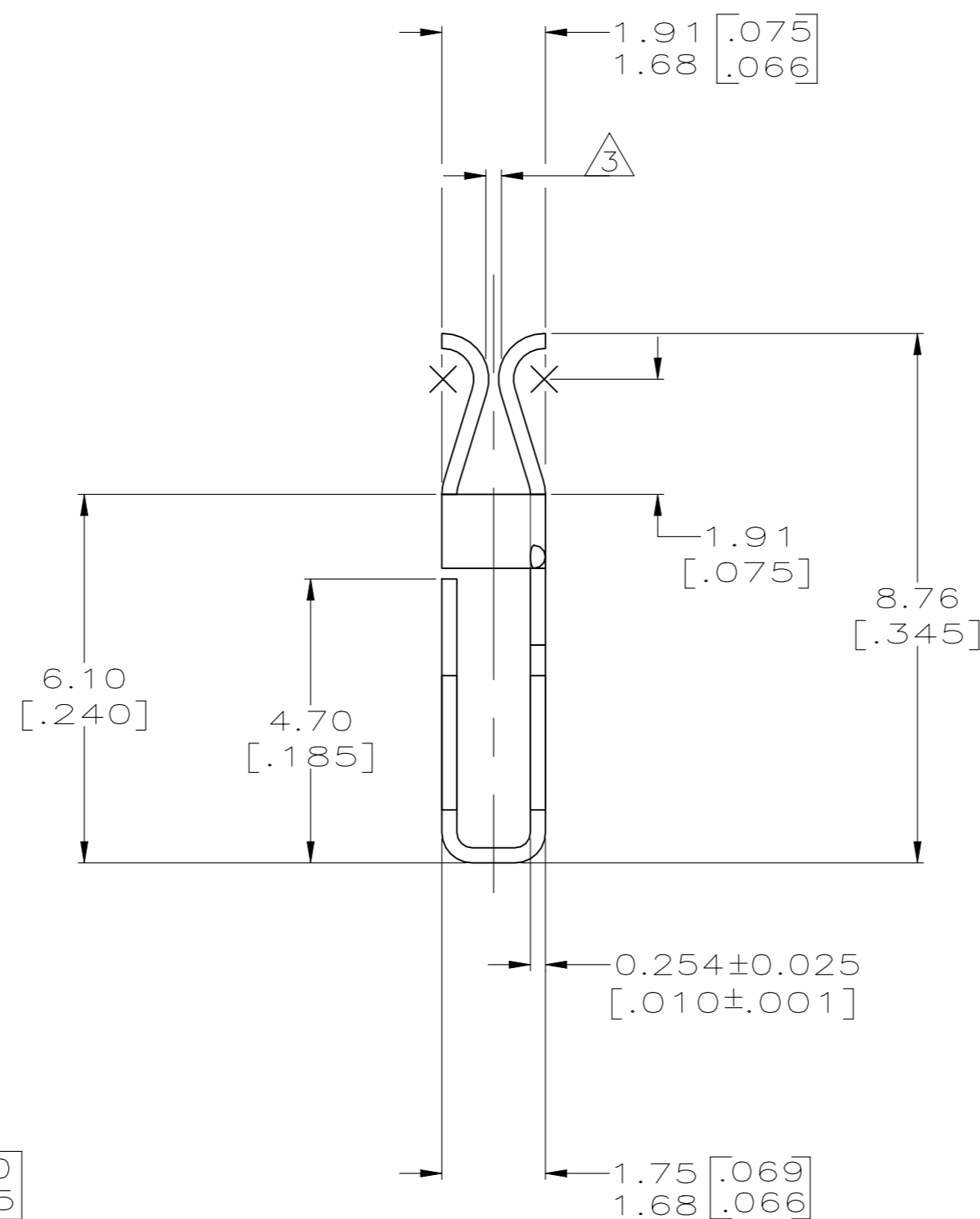
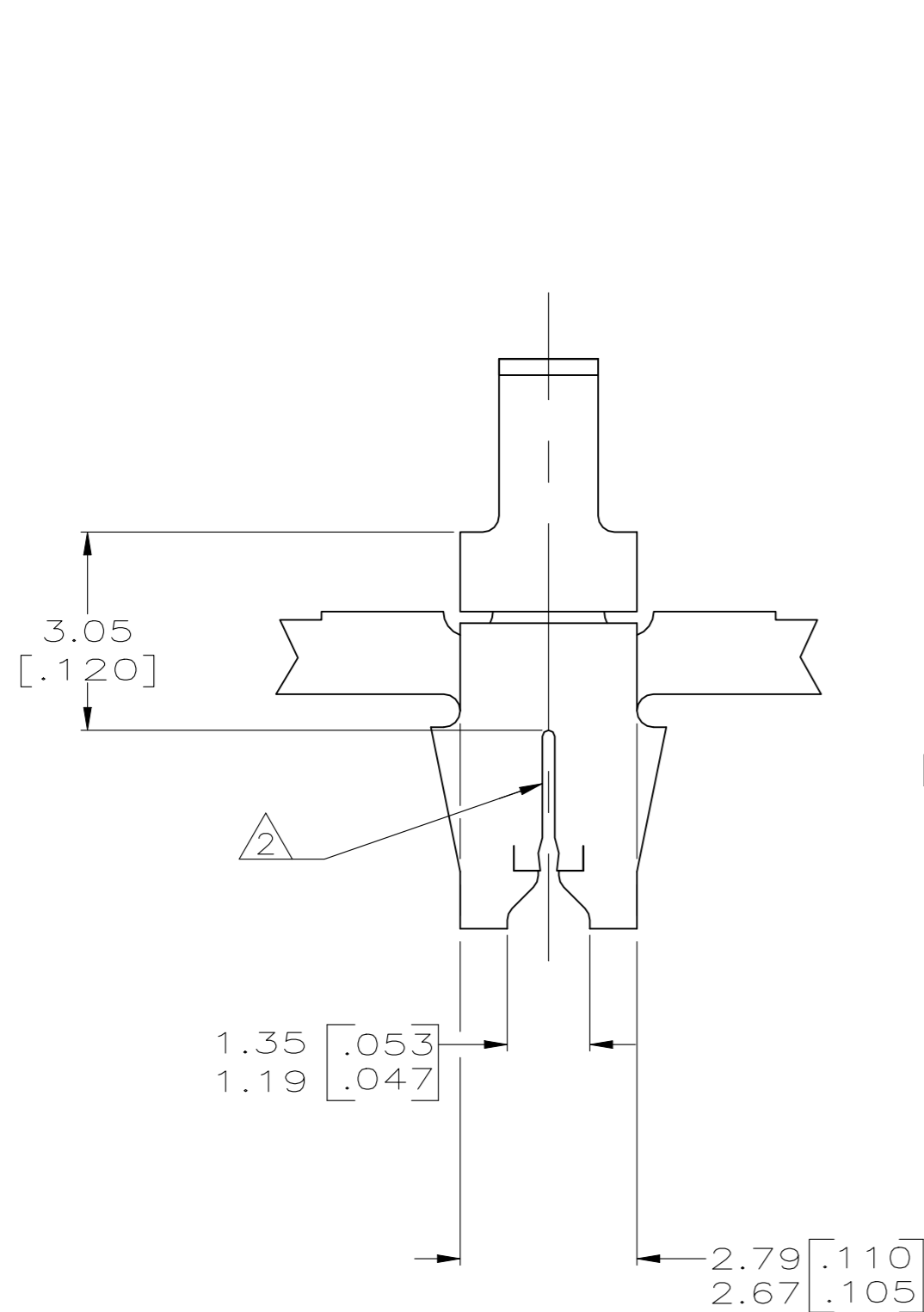


THIS DRAWING IS UNPUBLISHED. RELEASED FOR PUBLICATION
 © COPYRIGHT - - ALL RIGHTS RESERVED.

REVISIONS				
P	LTR	DESCRIPTION	DATE	APVD
D2		REVISED PER ECR-22-141492	09JUN2022	PC TD



- 1 CONTINUOUS STRIP ON REELS WITH TERMINALS LOCATED ON 8.38±0.08 [.330±.003] CENTERS.
- 2 SLOT ACCEPTS EITHER A SINGLE OR DOUBLE MAGNET WIRE OF THE SAME SIZE AND TYPE.
COPPER RANGE: 0.29-0.32mm [#29-#28] AWG.
- 3 FITS A 0.508±0.025 [.020±.001] THICK TAB.



OBSOLETE

-1217458-1-
PART NUMBER

THIS DRAWING IS A CONTROLLED DOCUMENT.		DWN 03AUG2000 MICHAEL S. FEHER	TE TE Connectivity			
DIMENSIONS: INCHES		CHK 03AUG2000 KURT A. RANDOLPH				
TOLERANCES UNLESS OTHERWISE SPECIFIED:		APVD 03AUG2000 KURT A. RANDOLPH	NAME RECEPTACLE, TAB, MAG-MATE			
0 PLC ± -		PRODUCT SPEC 108-2012	SIZE A2	CAGE CODE 00779	DRAWING NO C=1217458	RESTRICTED TO -
1 PLC ± -		APPLICATION SPEC 97-1039-190	SCALE 10:1	SHEET 1 of 1	REV D2	
2 PLC ± 0.25[.010]		MATERIAL H04 PHOS. BRONZE	CUSTOMER DRAWING			
3 PLC ± -		FINISH TIN PLATE				
4 PLC ± -						
ANGLES ± -						