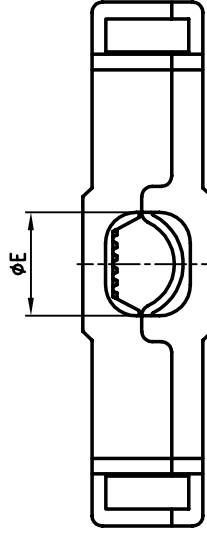
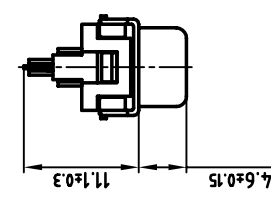
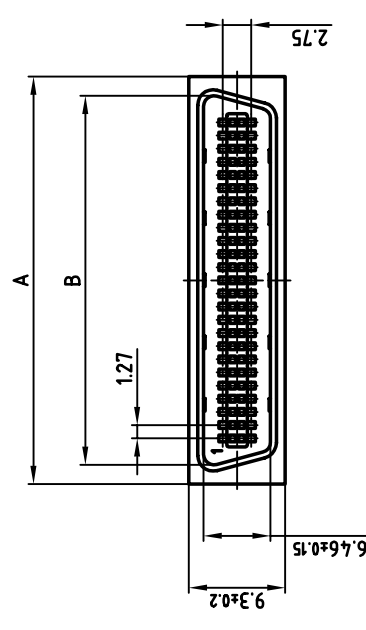
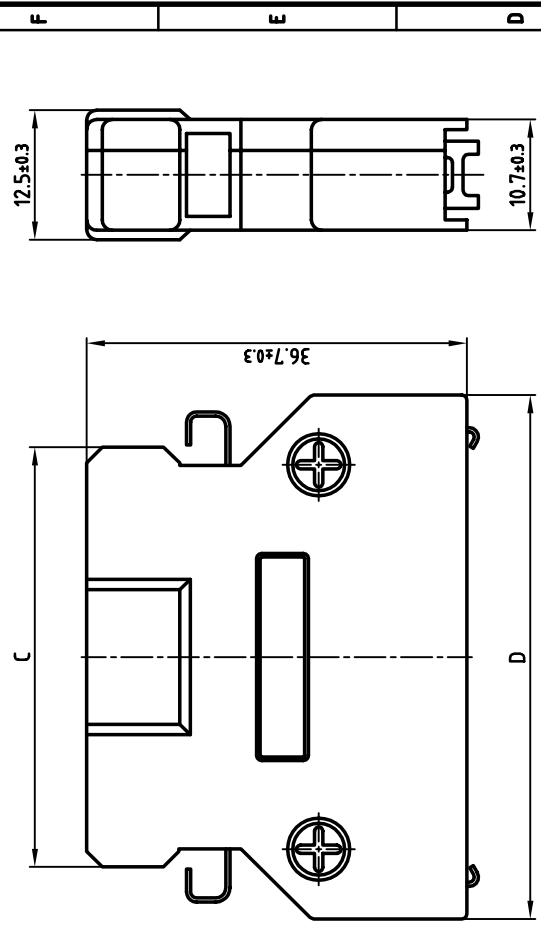


used for: SCSI II Micro Centronic Con.



**SPECIFICATIONS:**

- Connector:**
- Metals: Steel, Nickel Plated
- Contacts: Phosphor Bronze
- Contact Finish: Gold over Nickel
- Current Rating: 1 Amp
- Contact Resistance: 30m Ohm max.
- Insulating Resistance: 500m Ohm min.
- Withstanding Volt: 250 VAC / 1 minute
- Insulator: PBT UL 94 V-0
- Operating Temperature: -55°C + 105°C
- Hood:**
- Hood: Zinc Alloy Die-Cast
- Latches: Phosphor Bronze, Nickel Plated

No. of pos.	A ±0.2	B ±0.15	C ±0.3	D ±0.3	φE	Part No.
26	24.00	20.40	25.10	35.10	8-9	311A10099X
50	39.30	35.60	40.50	50.50	8-9	311A10109X
50	39.30	35.60	40.50	50.50	8-10	311A10119X
50	39.30	35.60	40.50	50.50	8.5-12	311A10129X

DO NOT ALTER CAD DRAWING BY HAND  
 OWNERSHIP AND COPYRIGHT OF CONEC GMBH  
 WRITTEN PERMISSION  
 BE PASSED ON TO A THIRD PARTY WITHOUT  
 REPRODUCTION IN ANY WAY, AND MAY NOT  
 THIS DRAWING MAY NOT BE COPIED OR

tolerance	material	scale:	2:1
date	name	title:	SEE SPECIFICATIONS
26.03.	Parrel	<b>SCSI II Micro Centronic Connector</b>	
26.03.	E. Mickenbecker	Male Solder Type 26 and 50pos. Metal Hood	
norm		dwg no:	AutoCAD 2000   DIN-A
4-old			3
			sh: 1/1
rev.	description	date	name

**CONEC®**  
 product no: **30K1A028**  
 SEE TABLE