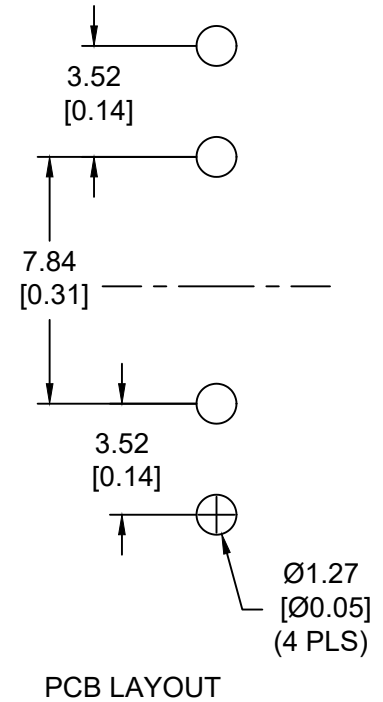
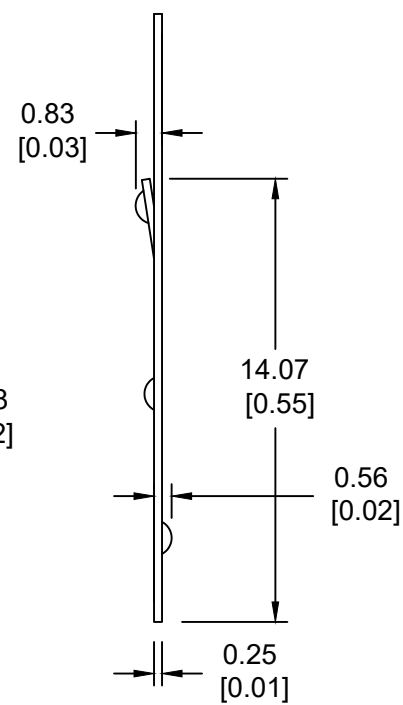
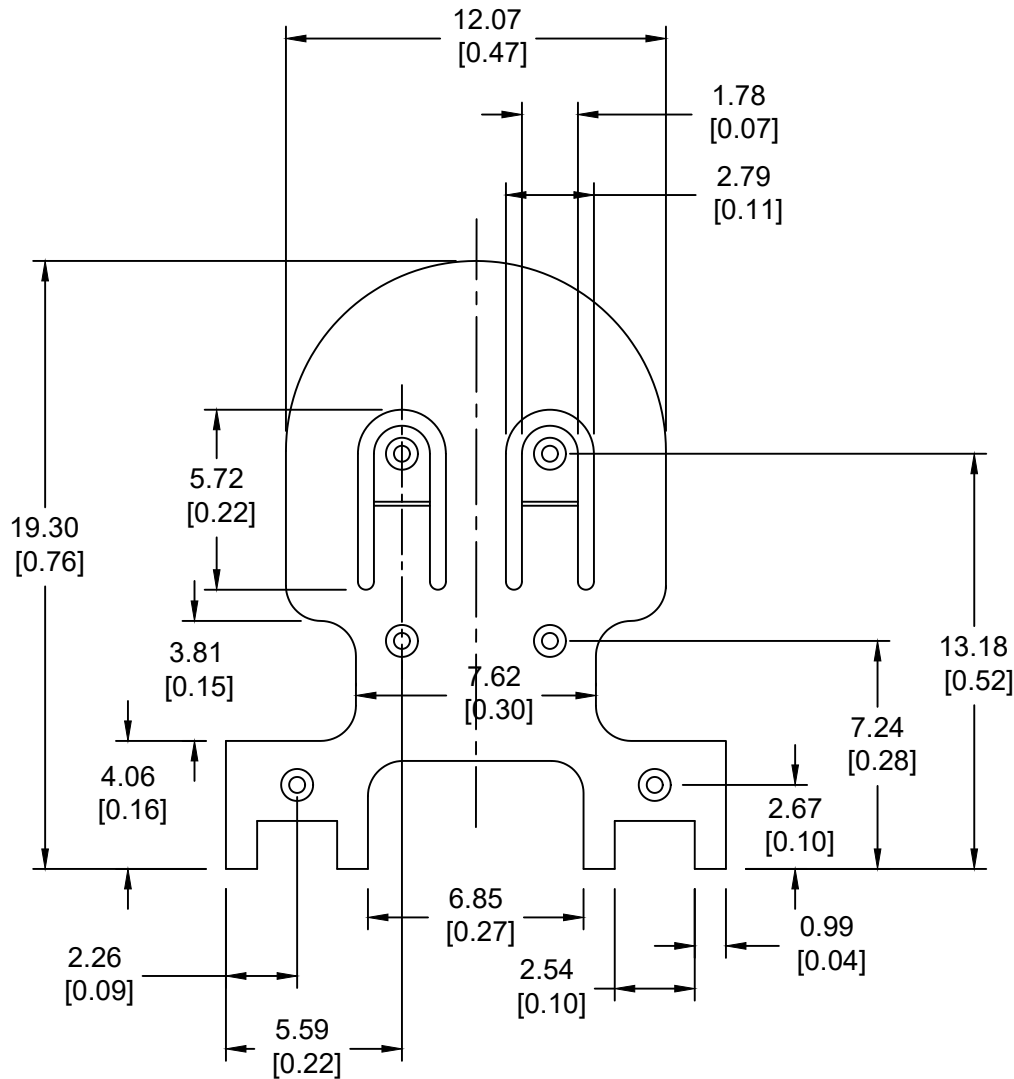



| Date | SYM | REVISION RECORD | AUTH | DR. | CK. |
|----------|-----|---|------|------|-----|
| 03/16/19 | A | Updated to "ROHS Compliant" | T.B. | B.S. | |
| 12/28/20 | B | Dim. 6.85 was 7.24 Dim. Ø1.27 was Ø1.10 at 3 pls Dim. 7.84 was 8.03 Dim. 3.52 was 3.33 | T.B. | B.S. | |
| | | | | | |
| | | | | | |



NOTES:

1. MATERIAL:
0.25mm PHOSPHOR BRONZE, NICKEL PLATED.
2. ROHS COMPLIANT

| | | | |
|--------------------------------|---|---------------------------|---------------|
| Tolerance (Except as noted) |  Memory Protection Devices, Inc 200 Broad Hollow Road, Farmingdale, New York 11735 | | |
| decimal ±.5 (.020) | | Scale | Drawn By B.S. |
| Fractional ± .8 (.030) | Title GENERIC COIN CELL NEGATIVE CONTACT FOR CR2032,CR2450 | | |
| Angular ± 3° | Date 12/28/20 | Drawing Number BC-2019 | |
| | | Approved By T.B. | |