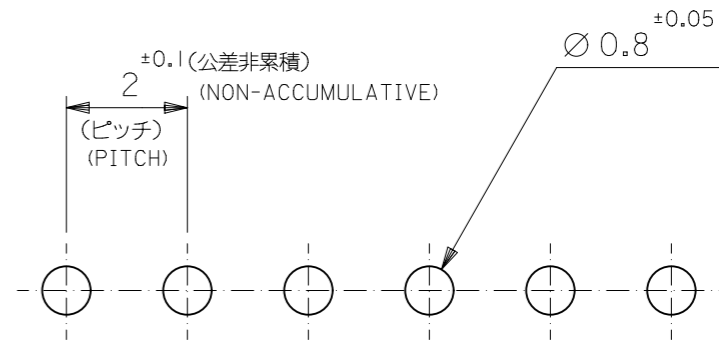
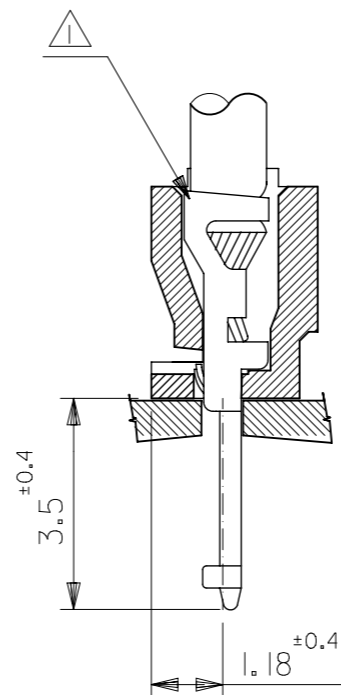
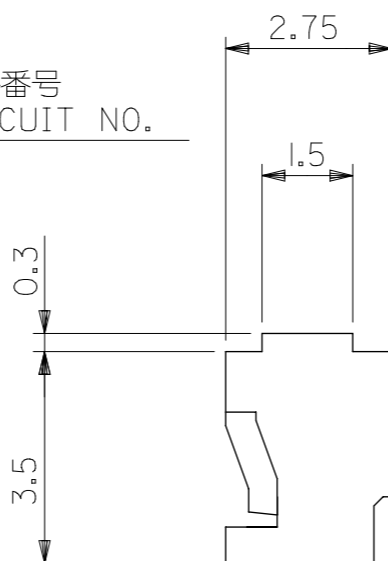


回路番号  
CIRCUIT NO.



基板取付穴推奨寸法

(基板厚:  $t=1\sim1.6\text{mm}$ )  
RECOMMENDED PC BOARD  
HOLE DIMENSION  
(THICKNESS:  $t=1\sim1.6\text{mm}$ )

注記  
NOTE

△ 適合ターミナル: 50034 8\*00  
APPLICABLE TERMINAL: 50034 8\*00

2. 材料     ハウジング: ポリアミド, UL94V-0  
色: ナチュラル(白)  
MATERIAL HOUSING: POLYAMIDE, UL94V-0  
COLOR: NATURAL(WHITE)

3. ELV 及び RoHS 適合品  
ELV AND RoHS COMPLIANT.

18	20.4	51015 1000	10
16	18.4	0900	9
14	16.4	0800	8
12	14.4	0700	7
10	12.4	0600	6
8	10.4	0500	5
6	8.4	0400	4
4	6.4	0300	3
2	4.4	51015 0200	2
B	A	ORDER No.	極数 NO. OF CKT

THIS DRAWING CONTAINS INFORMATION THAT IS PROPRIETARY TO MOLEX ELECTRONIC TECHNOLOGIES, LLC AND SHOULD NOT BE USED WITHOUT WRITTEN PERMISSION

GENERAL TOLERANCES (UNLESS SPECIFIED)	
10 <sup>UNDER</sup>	±0.2
10 <sup>OVER</sup> 30 <sup>UNDER</sup>	±0.25
30 <sup>OVER</sup>	±0.3
ANGULAR	±3°
DRAFT WHERE APPLICABLE MUST REMAIN WITHIN DIMENSIONS	

DIMENSION UNITS	SCALE	CURRENT REV DESC:
mm	8:1	OBSOLETE PART NUMBER AS PER PCN#509988
GENERAL TOLERANCES (UNLESS SPECIFIED)		EC NO: 704776
ANGULAR TOL ±		DRWN: SUGEEB 2022/04/08
4 PLACES ±		CHK'D: GGA 2022/05/24
3 PLACES ±		APPR: GGA 2022/05/24
2 PLACES ±		INITIAL REVISION:
1 PLACE ±		DRWN: RFC_PLMIMP 2018/11/28
0 PLACES ±		APPR: YOITO 2013/04/10
DRAFT WHERE APPLICABLE MUST REMAIN WITHIN DIMENSIONS		THIRD ANGLE PROJECTION

**molex**

2.0 BOARD IN CONN HSG

PRODUCT CUSTOMER DRAWING

DOCUMENT NUMBER: SD-51015-XX00  
DOC TYPE: PSD  
DOC PART: 020  
REVISION: D

MATERIAL NUMBER: SEE TABLE  
CUSTOMER: GENERAL MARKET  
SHEET NUMBER: 1 OF 1