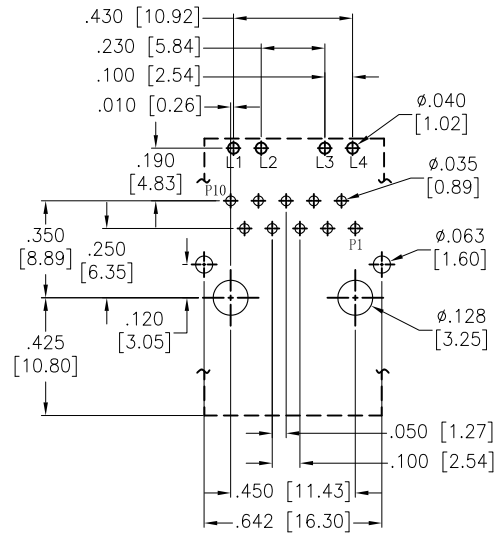
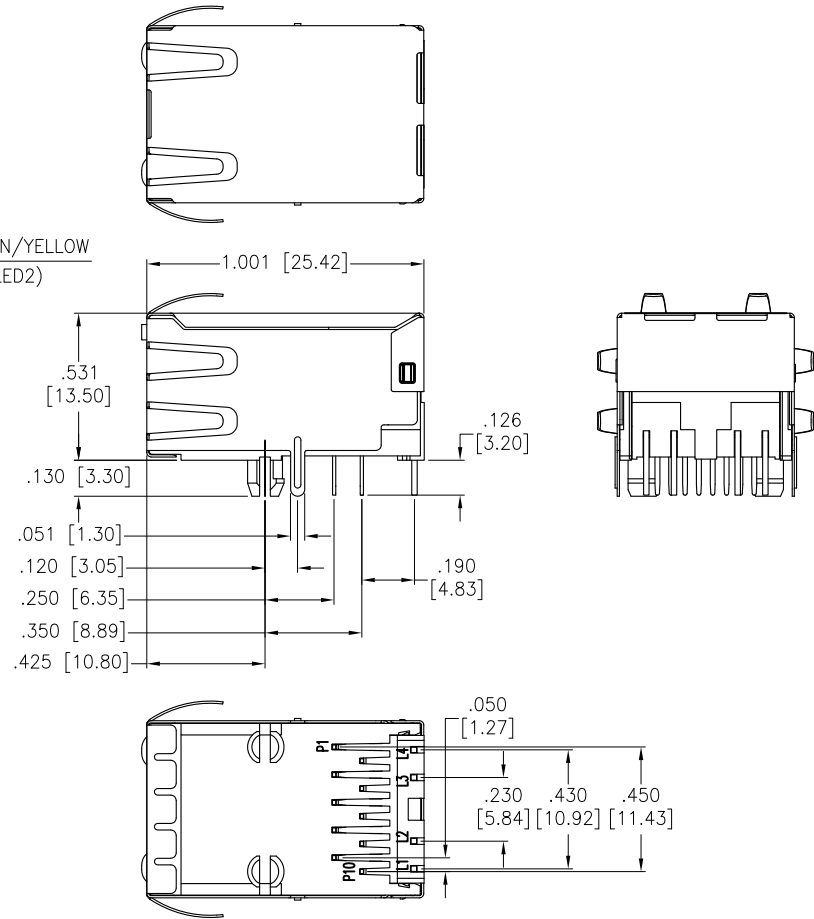
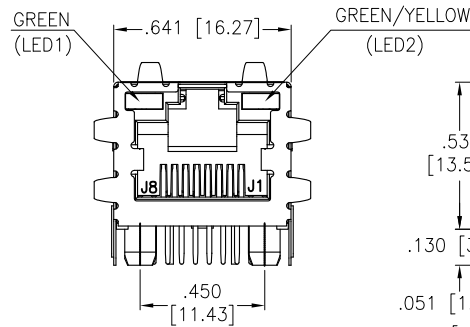


APPROVED: \_\_\_\_\_  
 DATE: \_\_\_\_\_ TITLE: \_\_\_\_\_

Rev	AWO #	Description	Date	Appr
-		RELEASED	6/22/12	
A		REVISED SHAPE	9/18/13	AY/AL
B		ADDED DIM.	8/20/15	AY/SY
C		REVISED SHAPE	9/22/15	
D		UPDATED CONTACTS DIM.	4/26/19	AY/SL



RECOMMENDED PCB LAYOUT



SPECIFICATIONS:

Material:  
 Insulator: Thermoplastic, rated UL 94V-0  
 Insulator color: Black  
 Contacts: Copper Alloy  
 Shield: Stainless Steel, Pre-soldering  
 Plating:  
 Round contact  
 Gold over Nickel underplate overall  
 Flat contact  
 Gold over Nickel underplate on contact area  
 Tin over Nickel underplate on solder tails

Electrical:  
 Insulation resistance: 500 Mohms min  
 Dielectric withstanding voltage: 1500VAC or 2250VDC for 1 minute  
 Temperature Rating:  
 Operating temperature: -0°C to +70°C  
 Environmental:  
 Lead free, RoHS compliant.



UNLESS OTHERWISE SPECIFIED  
 ALL DIMENSIONS ARE INCHES [MM]  
 TOLERANCES: EXCEPT AS NOTED

INCHES		HOLES	
.X	± .10	Ø.X	± .10
.XX	± .020	Ø.XX	± .015
.XXX	± .015	Ø.XXX	± .010

APPROVALS		DATE
DRAWN	AY	6/22/12
CHECKED	AL	6/22/12
APPROVED		

**ADAM TECH**  
 INTERCONNECTS  
 909 Rahway Avenue,  
 Union, NJ 07083  
 Phone: 908-687-5000  
 Fax: 908-687-5710

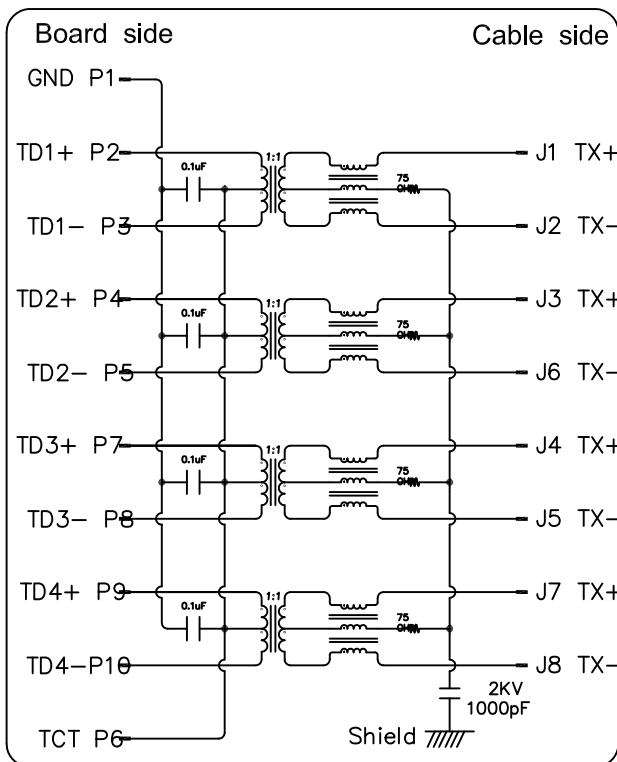
TITLE			
MODULAR TELEPHONE JACK, 1 PORT, 8P8C W/ LED1 GREEN, LED2 GREEN / YELLOW			
SIZE	PART NO.	REV.	
X	MTJ-88SX1-FSD-PG-LV-M66D	D	
REF:	S00101C	SCALE:	NTS
		SHEET 1 OF 2	

APPROVED: \_\_\_\_\_

DATE: \_\_\_\_\_ TITLE: \_\_\_\_\_

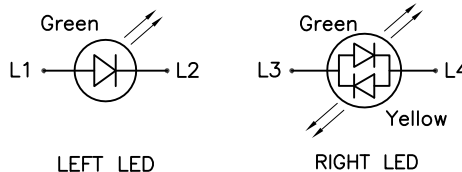
Rev	AWO #	Description	Date	Appr
-----	-------	-------------	------	------

SEE SHT 1 OF 2 FOR REVISION



**ELECTRICAL CHARACTERISTICS :**

1. INSERTION LOSS :
  - 1~100 MHz -1.0dB MAX.
2. RETURN LOSS(LOAD 100Ω) :
  - 1~30 MHz -18dB MIN
  - 30~60 MHz -16dB MIN
  - 60~80 MHz -12dB MIN
  - 80~100 MHz -10dB MIN
3. COMMON MODE REJECTION
  - 1~100 MHz -30dB MIN
4. CROSS TALK
  - 1~100 MHz -30dB MIN
5. INDUCTANCE @ 100KHz, 0.1V, 8mA DC BIAS
  - (P2-P3),(P4-P5),(P7-P8),(P9-P10) : 350 uH MIN
6. DCR
  - (J1-J2),(J3-J6),(J4-J5),(J7-J8) : 1.2 OMH MAX
6. HI-POT TEST
  - BOARD SIDE TO CABLE SIDE : 1500VAC 60S OR 2250VDC 60S
7. TURNS RATION 100KHz
  - (P2-P3) : (J1-J2) = 1:1 ±%5
  - (P4-P5) : (J3-J6) = 1:1 ±%5
  - (P7-P8) : (J4-J5) = 1:1 ±%5
  - (P9-P10) : (J7-J8) = 1:1 ±%5



UNLESS OTHERWISE SPECIFIED ALL DIMENSIONS ARE INCHES [MM] TOLERANCES: EXCEPT AS NOTED		<b>ADAM TECH</b> 909 Rahway Avenue, Union, NJ 07083 Phone: 908-687-5000 Fax: 908-687-5710	
INCHES		HOLES	
.X ± .10	Ø.X ± .10	<b>INTERCONNECTS</b> TITLE <b>MODULAR TELEPHONE JACK, 1 PORT, 8P8C          W/ LED1 GREEN, LED2 GREEN / YELLOW</b>	
.XX ± .020	Ø.XX ± .015		
.XXX ± .015	Ø.XXX ± .010		
APPROVALS		DATE	
DRAWN	AY	6/22/12	
CHECKED	AL	6/22/12	
APPROVED			
SIZE	PART NO.	REV.	
X	MTJ-88SX1-FSD-PG-LV-M66D	D	
REF: S00101C	SCALE: NTS	SHEET 2 OF 2	