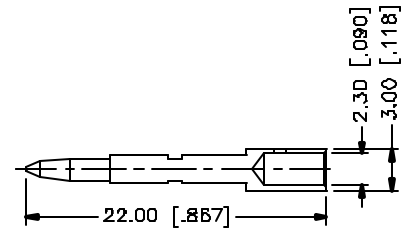
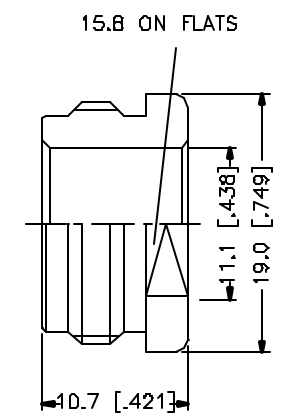
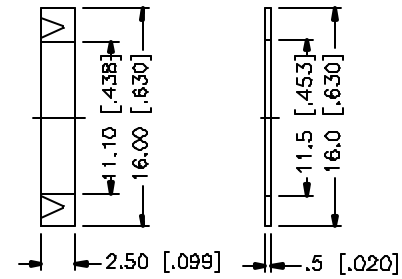
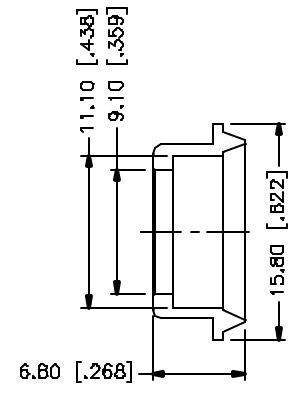
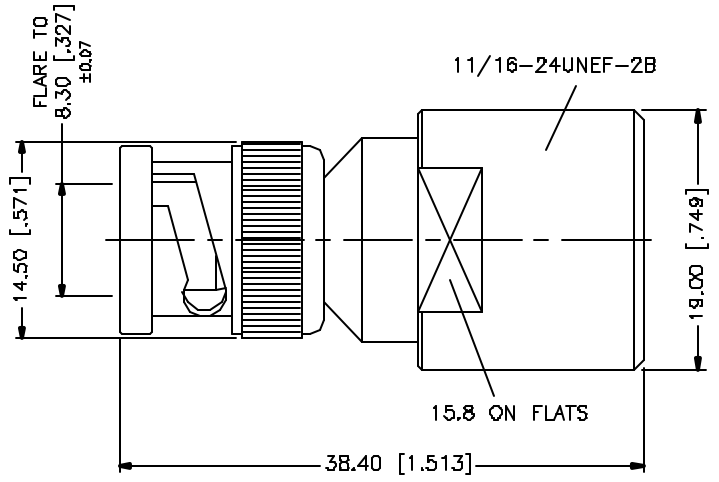
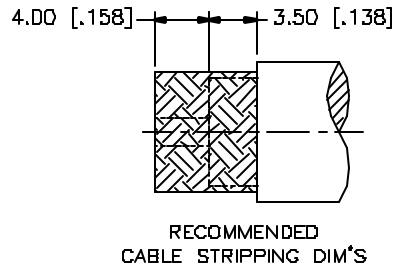


REV.	DATE	DESCRIPTION
A	03/18/05	MODIFY DESCRIPTION - UPDATE DRAWING FORMAT



NOTE:
1. CRIMPED CONTACT PIN
HEX CRIMP SIZE .100"
OR SOLDER.

QTY	DESCRIPTION	MATERIAL	FINISH	QTY
1	SHELL/BODY	BRASS	NICKEL	1
2	INSULATOR	TEFLON	NATURAL	1
3	CONTACT PIN	PHOS. BRONZE	GOLD	1
4	BRAID CLAMP	BRASS	NICKEL	1
5	GASKET	SILICONE	RED	1
6	WASHER	BRASS	NICKEL	1
7	NUT	BRASS	NICKEL	1

UNLESS OTHERWISE SPECIFIED DIMENSIONS ARE IN MILLIMETERS. DIMENSIONS IN [] ARE IN INCHES AND FOR CUSTOMER REFERENCE ONLY.

UNLESS OTHERWISE SPECIFIED TOLERANCES FOR MILLIMETERS ARE:
 0.6 - 8mm ± 0.20mm
 8 - 30mm ± 0.40mm
 30 - 120mm ± 0.50mm

UNLESS OTHERWISE SPECIFIED TOLERANCES FOR INCHES ARE:
 .020 - .315 = ± 0.007"
 .315 - 1.180 = ± 0.015"
 1.180 - 4.724 = ± 0.020"

DO NOT SCALE DRAWING

APPROVALS	DATE
DRAWN G.R.S.	03/18/05
CHECKED	
ISSUED	
SHEET 1 OF 1	
CAD FILE C:/112/112531.DWG	

Amphenol Connex

PART DESCRIPTION
BNC CLAMP PLUG
(RG-8/U, 213/U, 214/U CABLE)

PART NO.
112531

DWG. NO. 112531.DWG	REV. A	SIZE A	SCALE NA
---------------------	--------	--------	----------