
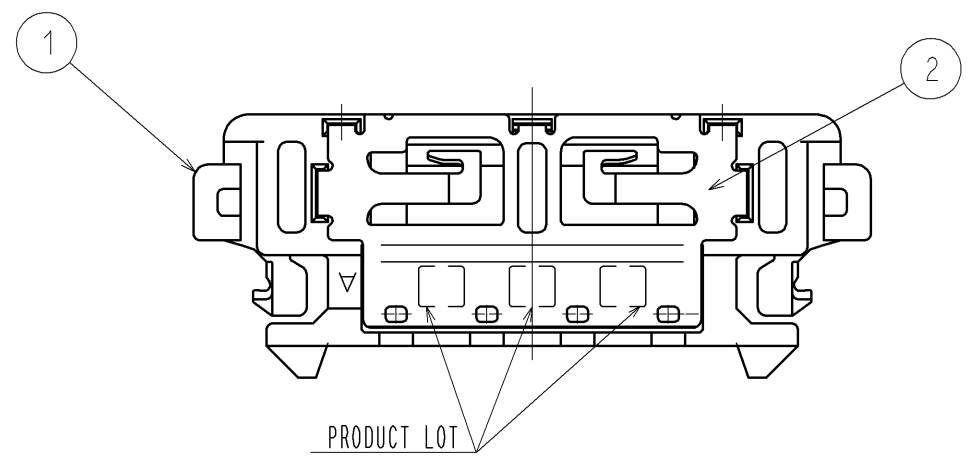
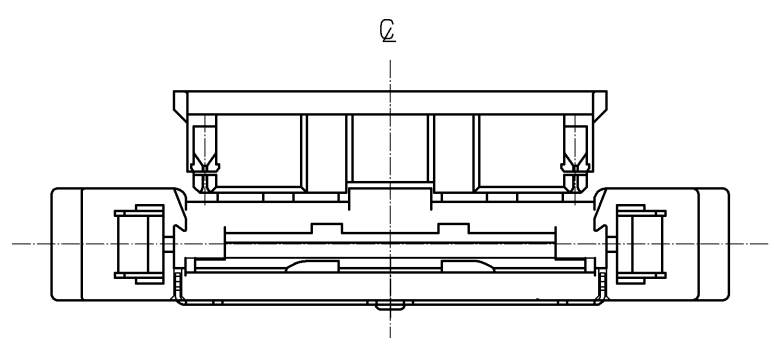
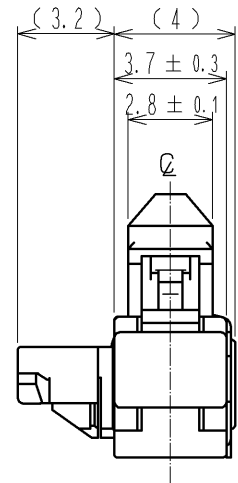
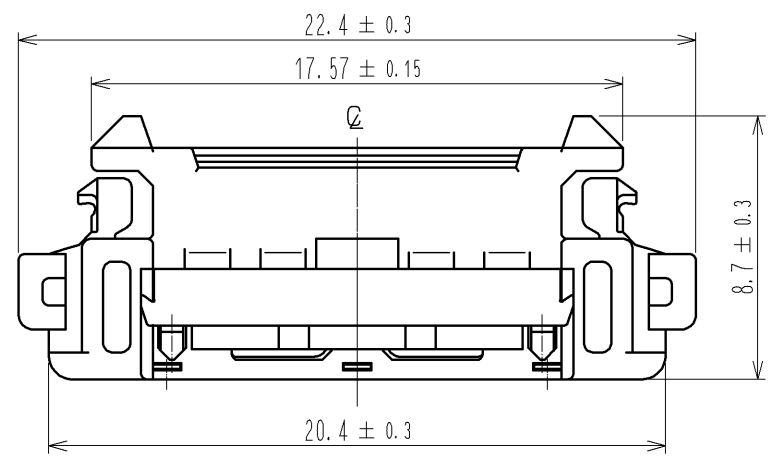
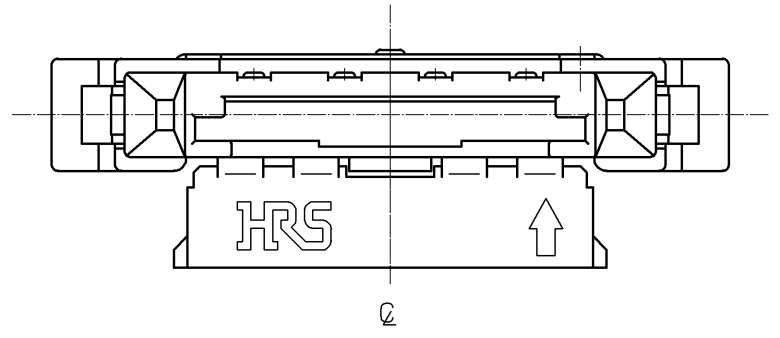
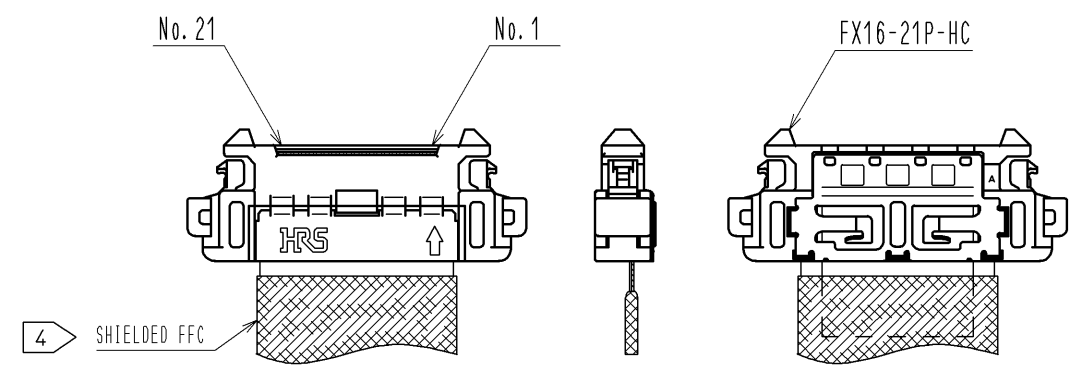


APPLICABLE STANDARD					
RATING	OPERATING TEMPERATURE RANGE	-55 °C TO 85 °C ^{(1) (2)}	STORAGE TEMPERATURE RANGE	-10 °C TO 60 °C ⁽³⁾	
	OPERATING HUMIDITY RANGE	RH 85 % MAX ^{(2) (4)}	STORAGE HUMIDITY RANGE	RH 70 % MAX ^{(3) (4)}	
	VOLTAGE	60 V AC ⁽⁵⁾	CURRENT	0.5A ⁽⁵⁾	
	APPLICABLE CABLE	FFC ⁽⁶⁾			
SPECIFICATIONS					
ITEM	TEST METHOD		REQUIREMENTS	QT	AT
CONSTRUCTION					
GENERAL EXAMINATION	VISUALLY AND BY MEASURING INSTRUMENT.		ACCORDING TO DRAWING.	x	x
MARKING	CONFIRMED VISUALLY.			x	x
ELECTRIC CHARACTERISTICS					
CONTACT RESISTANCE	20 mV MAX, 1 mA(DC OR 1000Hz)		80 mΩ MAX. ⁽⁷⁾	x	
INSULATION RESISTANCE	100 V DC.		500 MΩ MIN.	x	
VOLTAGE PROOF	200 V AC FOR 1 min.		NO FLASHOVER OR BREAKDOWN.	x	
MECHANICAL CHARACTERISTICS					
INSERTION AND WITHDRAWAL FORCES	MEASURED BY APPLICABLE CONNECTOR.		INSERTION FORCE: 10.5 N MAX. WITHDRAWAL FORCE: 1.05 N MIN.	x	
MECHANICAL OPERATION	50 TIMES INSERTIONS AND EXTRACTIONS.		① CONTACT RESISTANCE: NO VARIATION OF 20 mΩ OR MORE FROM INITIAL VALUE. ② NO DAMAGE, CRACK AND LOOSENESS OF PARTS.	x	
VIBRATION	FREQUENCY 10 TO 55 Hz, SINGL AMPLITUDE : 0.75 mm, AT 2 h FOR 3 DIRECTION.		① NO ELECTRICAL DISCONTINUITY OF 1 μs. ② NO DAMAGE, CRACK AND LOOSENESS OF PARTS.	x	
SHOCK	490 m/s ² , DURATION OF PULSE 11 ms AT 3 TIMES FOR 3 DIRECTIONS.		② NO DAMAGE, CRACK AND LOOSENESS OF PARTS.	x	
LOCK STRENGTH	MATE TO APPLICABLE CONNECTOR AND APPLY PULL FORCE HORIZONTALLY.		30 N MIN.	x	
FFC RETENTION FORCE	ASSEMBLE APPLICABLE FFC AND PULL HORIZONTALLY WITH 10mm/min IN MATING DIRECTION.		10 N MIN. ⁽⁶⁾	x	
ENVIRONMENTAL CHARACTERISTICS					
DAMP HEAT (STEADY STATE)	EXPOSED AT 40±2 °C, 90 ~ 95 %, 96 h.		① CONTACT RESISTANCE: NO VARIATION OF 20 mΩ OR MORE FROM INITIAL VALUE. ② INSULATION RESISTANCE: 500 MΩ MIN. ③ NO DAMAGE, CRACK AND LOOSENESS OF PARTS.	x	
DRY HEAT	EXPOSED AT 85±2 °C, 96 h			x	
RAPID CHANGE OF TEMPERATURE	TEMPERATURE -55→+5~+35→+85→+5~+35°C TIME 30→ 5 MAX→ 30→5 MAX min. UNDER 5 CYCLES.		① CONTACT RESISTANCE: NO VARIATION OF 20 mΩ OR MORE FROM INITIAL VALUE. ② NO DEFECT SUCH AS CORROSION WHICH IMPAIRS THE FUNCTION OF CONNECTOR.	x	
CORROSION SALT MIST	EXPOSED IN 5 % SALT WATER SPRAY FOR 48 h.			x	
SULFUR DIOXIDE	EXPOSED IN 25 PPM FOR 96 h. (TEST STANDARD: JIS C 60068)			x	
	COUNT	DESCRIPTION OF REVISIONS	DESIGNED	CHECKED	DATE
	2	DIS-F-004353	KN. SHIBUYA	HT. YAMAGUCHI	09. 12. 15
REMARKS			APPROVED	HS. OKAWA	08. 11. 21
(1) INCLUDE TEMPERATURE RISE CAUSED BY CURRENT-CARRYING. (2) OPERATING TEMPERATURE SHOULD BE -55 TO 40°C WHEN HUMIDITY EXCEEDS 80% RH. (3) THE SPECIFICATION IS APPLIED TO THE PRE-ASSEMBLED COMPONENT AND THE CABLE ASSEMBLED PRODUCT BOTH IN DELIVERY AND STORAGE, BEFORE ASSEMBLED TO PCB. (4) THERE MUST NOT BE DEWFALL. (5) IT IS THE MAXIMUM VALUE OF CONNECTOR. CONFIRM THE SPECIFICATION OF THE CABLE. (6) ONLY FFC THAT PROCESSES THE TERMINAL THAT WE SPECIFIED. (7) DON'T INCLUDE CONDUCTOR RESISTANCE OF CABLE.			CHECKED	HT. YAMAGUCHI	08. 11. 20
Unless otherwise specified, refer to JIS-C-5402.			DESIGNED	YN. TAKANO	08. 11. 17
			DRAWN	YN. TAKANO	08. 11. 17
Note	QT:Qualification Test AT:Assurance Test X:Applicable Test		DRAWING NO.	ELC4-157565-00	
HRS	SPECIFICATION SHEET		PART NO.	FX16-21P-HC	
	HIROSE ELECTRIC CO., LTD.		CODE NO.	CL575-3241-7-00	 1/1



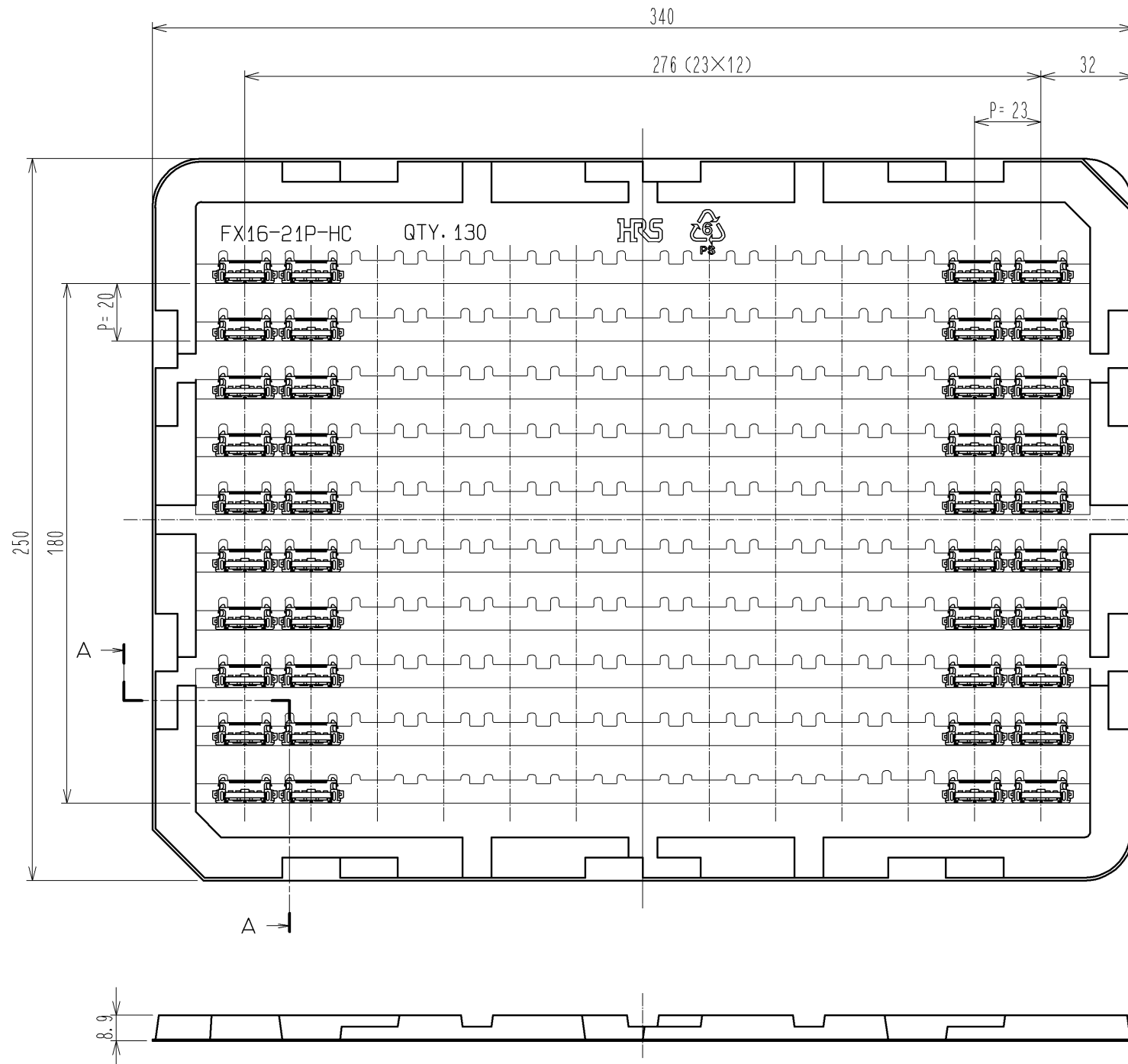
APPLICATION DIAGRAM(2:1)



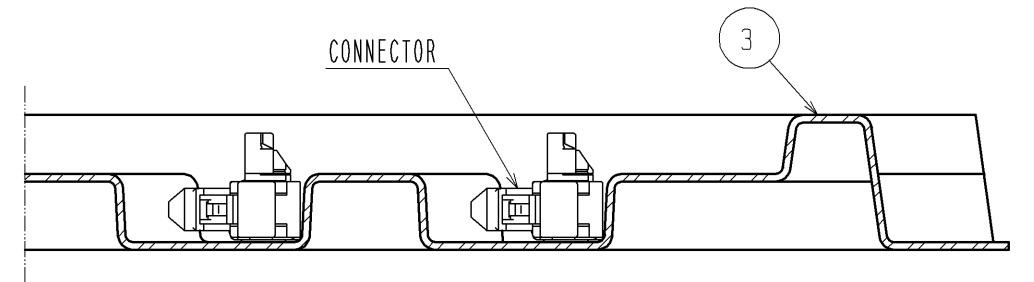
- NOTE 1 () INDICATES A REFERENCE DIMENSION.
- 2 MANUFACTURING PROCESS COULD LEAVE SCRATCH AND/OR PUNCH MARKS HAVING NO AFFECT ON THE PRODUCT PERFORMANCE. DARK SPOTS MIGHT OCCASIONALLY OCCUR ON MOLDED PLASTIC.
- 3 THE CONNECTORS ARE DELIVERED IN TRAY PACKAGING.
- 4 THE APPLICABLE CABLE OF THE CONNECTOR IS SHIELDED FFC.

3	PS	(TRAY)			
1	PC	BLACK UL94V-0	3	STAINLESS STEEL	NICEKL 0.3μm min
NO.	MATERIAL	FINISH . REMARKS	NO.	MATERIAL	FINISH . REMARKS
UNITS	⊕	SCALE	COUNT	DESCRIPTION OF REVISIONS	
mm		4 : 1	△	DESIGNED	CHECKED
APPROVED : HS. OKAWA		08.11.21	DRAWING NO. EDC3-157565-00		
CHECKED : HT. YAMAGUCHI		08.11.20	PART NO. FX16-21P-HC		
DESIGNED : YN. TAKANO		08.11.20	CODE NO. CL575-3241-7-00		
DRAWN : YN. TAKANO		08.11.20	△ 1/3		

DRAWING FOR PACKING(1:2)



A-A (2:1)



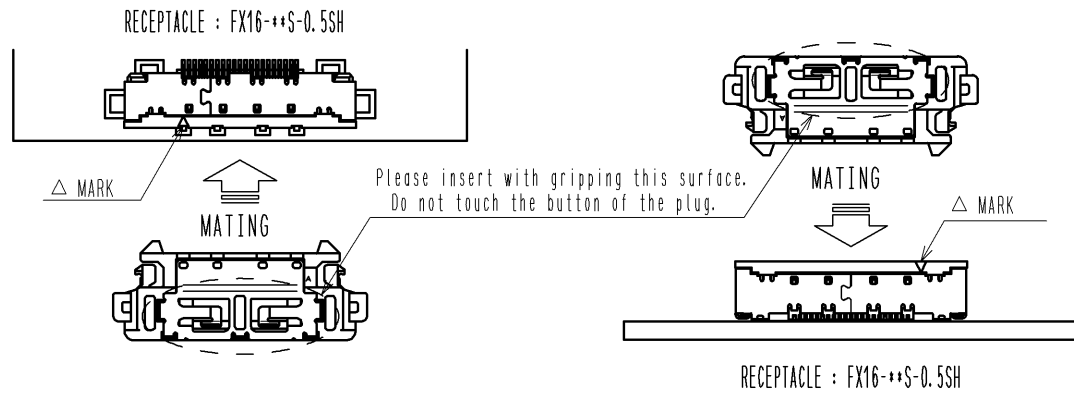
- NOTE 1 ONE TRAY CONTAINS 130 CONNECTORS.
- NOTE 2 THE DIMENSIONS ARE FOR REFERENCE.

HRS	DRAWING NO.	EDC3-157565-00	
	PART NO.	FX16-21P-HC	
	CODE NO.	CL575-3241-7-00	

HANDLING INSTRUCTIONS

[1] Insertion to on-board connector

The connector mating is keyed. Align the marks as shown in the figure for mating. Insert the connector completely until they are locked at both ends.



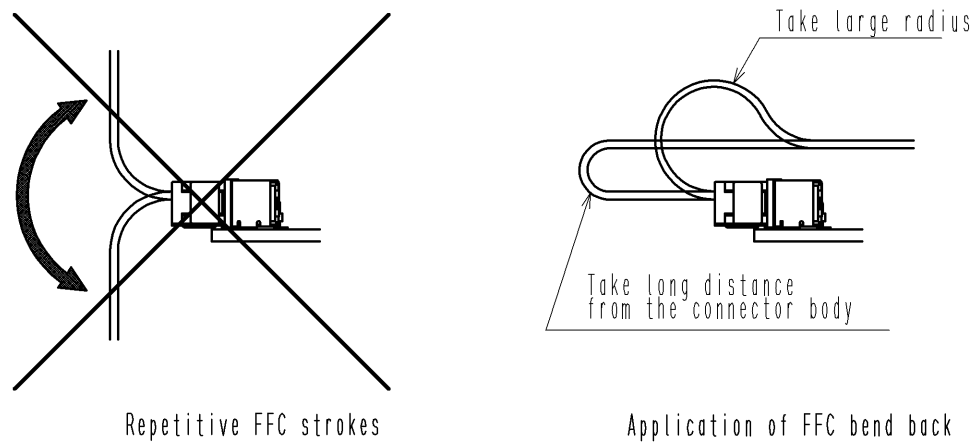
The connectors have a reverse-insertion prevention structure. However, the connectors may be damaged when inserted reversely with the force of 25N or more. Avoid a forceful insertion and make sure to confirm that the connectors are aligned with the marks before the mating operation.

[2] After mating

Carefully wire FFC, so that excessive force will not be applied to the mated connector. Pulling the FFC with the force of 20N or more may damage the connector. It may also cause FFC breakage. Take a caution to avoid pulling the FFC.

Repetitive FFC strokes could also cause FFC breakage as well. Do not use the connector under the environment of repetitive FFC strokes.

Take enough bend radius and/or distance from the connector for FFC not to apply stress to the connector base when the application requires FFC bend back.

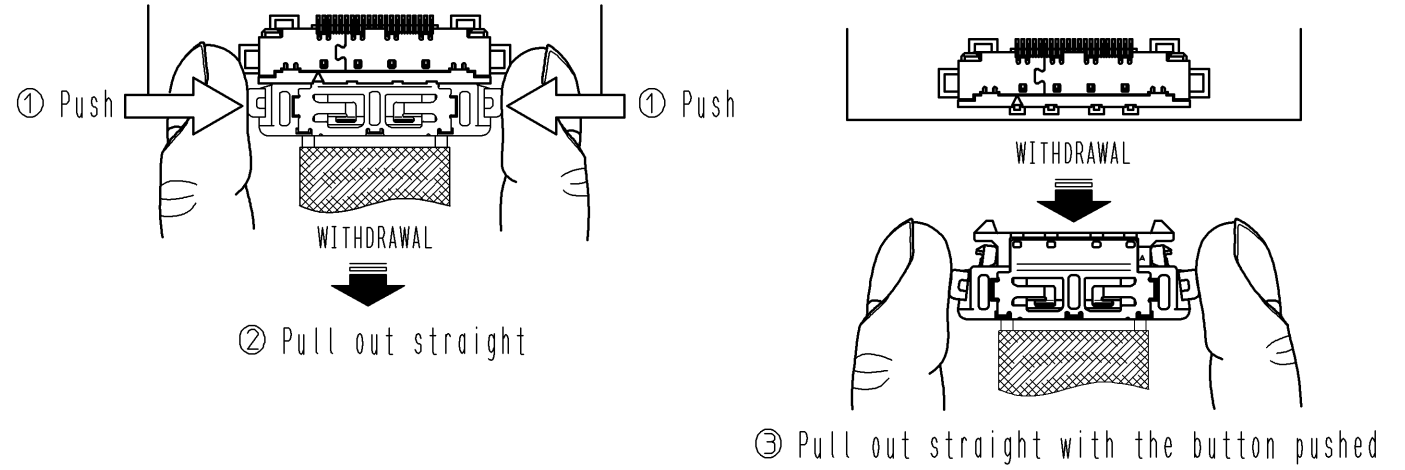


[3] Withdrawal from on-board connector

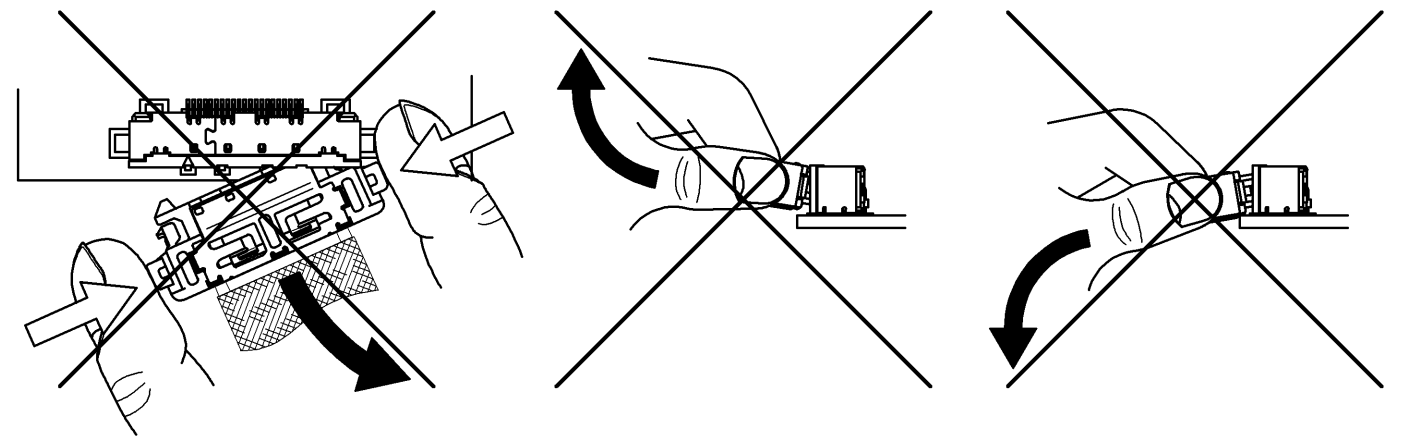
The connectors are locked while they are mated. In order to unmate the connectors, pull out straight with the button pushed to release the lock. At this time, do not pull the FFC. Also avoid the withdrawal in angle, which may damage the connectors.

*Note : The connectors shown in this 'HANDLING INSTRUCTIONS' are drawn for the instruction purpose. Therefore, the appearance differs from the actual connectors. Please confirm the connector configuration on the connector drawing (SHEET 1).

<Correct withdrawal>

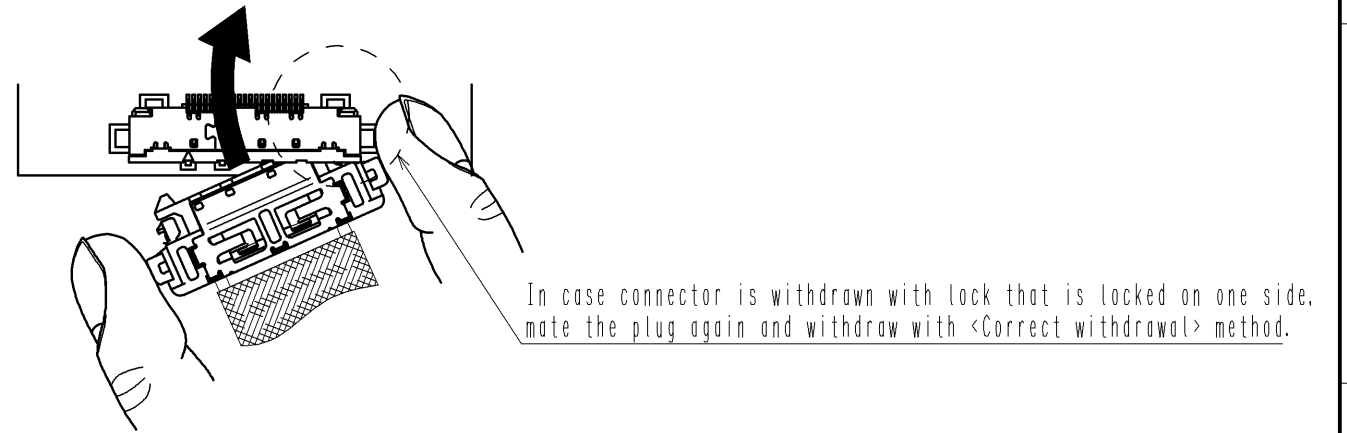


<Incorrect withdrawal>



[4] For the case that connector is withdrawn in condition that lock on one side is locked

In case connector is withdrawn in condition that lock on one side is locked, it could damage the locking part. In such case, do not withdraw forcefully, but mate the plug again and pull out the plug in condition that the two locks are locked and withdraw with <Correct withdrawal> method.



HRS	DRAWING NO.	EDC3-157565-00
	PART NO.	FX16-21P-HC
	CODE NO.	CL575-3241-7-00
		△ 3/3