

REV NC		DTM04-08P*			REVISIONS			
SYM	DESCRIPTION	DATE	APPROVED					
NC	NEW RELEASE PER E.O. P17232	4-19-01	RDR					

7. SEE SHEET 2 FOR OTHER KEY ARRANGEMENTS.
6. MATERIAL - HOUSING: PLASTIC; GROMMET: RUBBER.
5. THIS RECEPTACLE MATES WITH DTM06-08S\*-\*\*\*\* PLUG. (\* = A,B,C,D KEYS; \*\*\*\* = ALL MODIFICATIONS)
4. FOR CONTACT AND WIRE PERFORMANCE AND APPLICATION CHARACTERISTICS SEE ENVELOPE DRAWING 0425-015-0000.
3. SECONDARY WEDGE LOCK SOLD SEPARATELY: WM-8P.
2. DIMENSION TOLERANCE:  $\pm .025$  [.64].
1. DIMENSIONS ARE IN INCHES [mm].

NOTES: UNLESS OTHERWISE SPECIFIED

CONTACT SIZE	MIN. INSUL. O.D.	MAX. INSUL. O.D.	WIRE RANGE [mm <sup>2</sup> ] REF ONLY
20	.053 [1.35]	.120 [3.05]	16-22 AWG [1.0-0.5]

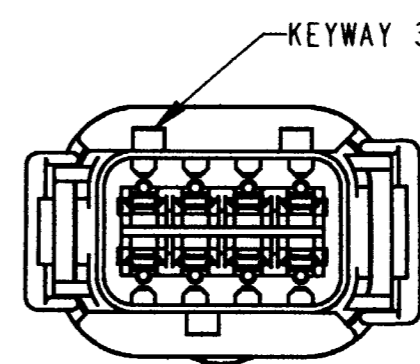
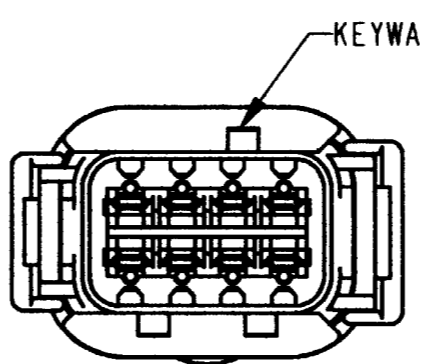
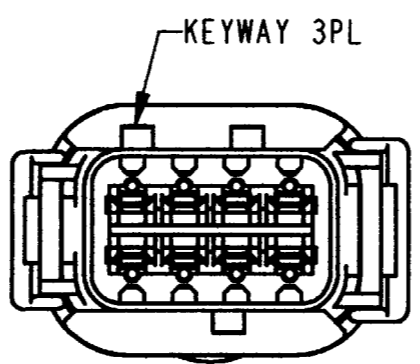
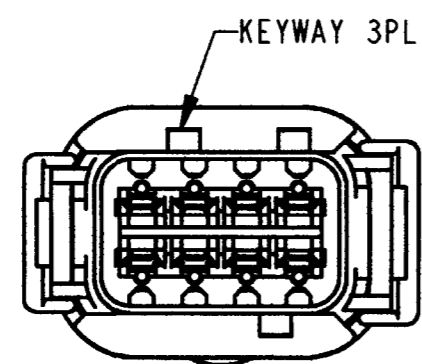
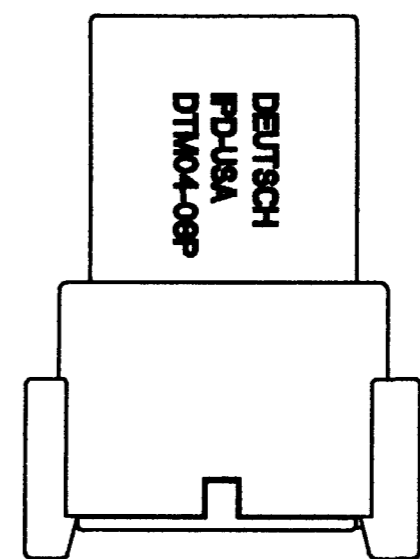
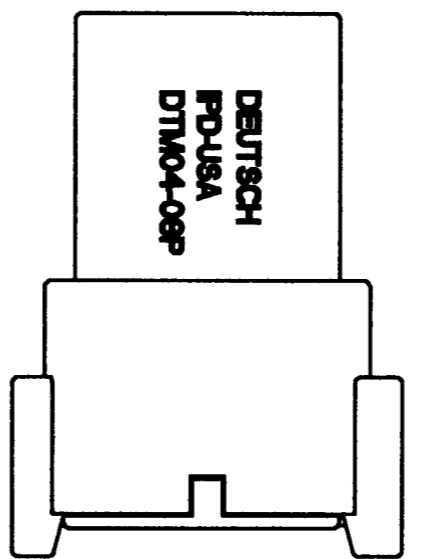
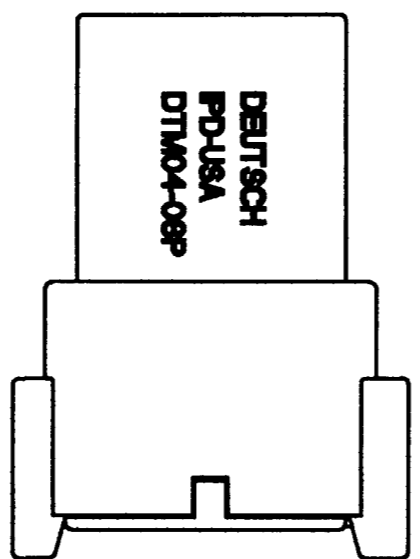
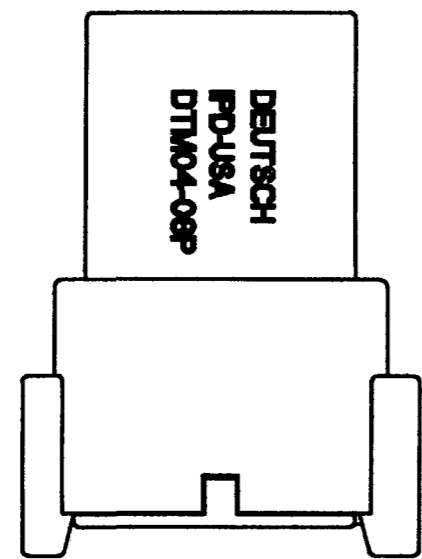
SIGNATURE & DATE	
DR	J. APOSTOL 16 APR 2001
CHK	<i>[Signature]</i> 4/18/01
PE	<i>[Signature]</i> 4/18/01
APPD	<i>[Signature]</i> 4-19-01
SCALE	NONE WT

RECEPTACLE  
8 CONTACTS, SIZE 20  
A,B,C,D KEYS  
DTM SERIES

ENVELOPE

CP	MATL. CODE
The Deutsch Company DEUTSCH I.P.D. 3850 INDUSTRIAL AVE. HEMET, CALIF. 92545	
<b>B</b>	<b>DTM04-08P*</b>
DWG SIZE	CODE 11139 SHEET 1 OF 2

REV NC	DTM04-08P*	REVISIONS			
		SYM	DESCRIPTION	DATE	APPROVED
			SEE SHEET ONE	4-19-01	RDR



DTM04-08PA  
KEY -A-  
COLOR: GREY

DTM04-08PB  
KEY -B-  
COLOR: BLACK

DTM04-08PC  
KEY -C-  
COLOR: GREEN

DTM04-08PD  
KEY -D-  
COLOR: BROWN

NOTES:

SIGNATURE & DATE		RECEPTACLE 8 CONTACTS, SIZE 20 A, B, C, D KEYS DTM SERIES	CP	MATL. CODE	
DR	J. APOSTOL 16 APR 2001		The Deutch Company DEUTSCH I.P.D. 3850 INDUSTRIAL AVE. HEMET, CALIF. 92545		
CHK	Rmlyg 4/18/01		B	DTM04-08P*	
PE	Dmeyer 4/16/01			CODE	SHEET 2 OF 2
APPD	R. Reed 4-19-01			DWG SIZE	11139
SCALE	NONE	WT	ENVELOPE		