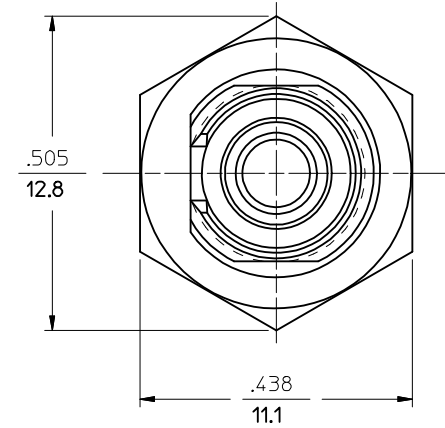
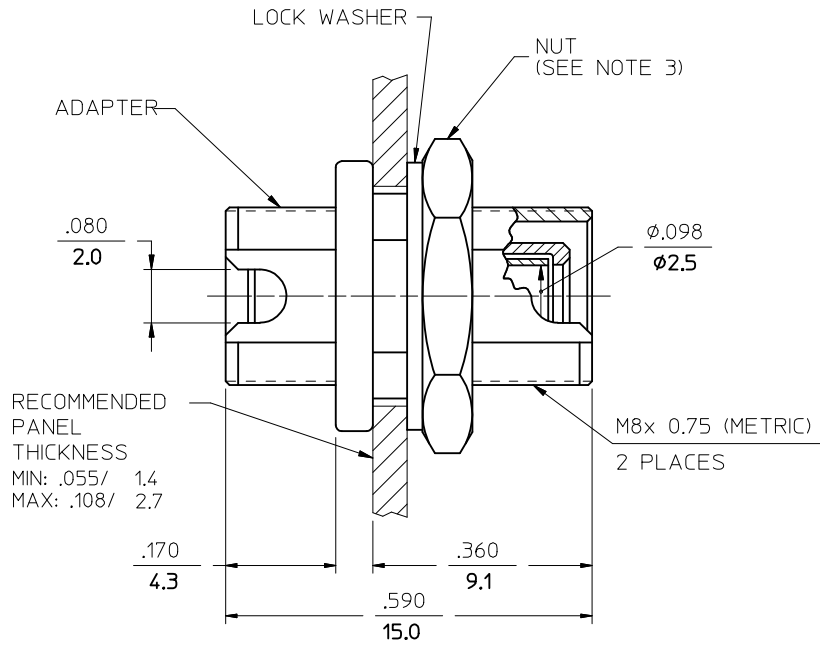
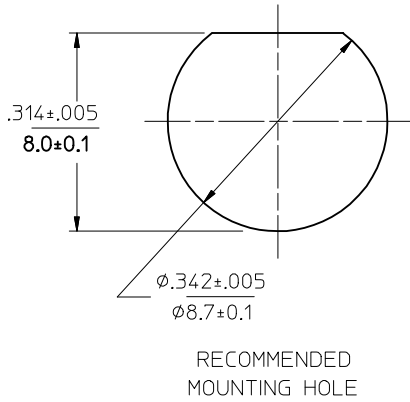


P/N OF ADAPTER	MATERIAL OF SLEEVE
106152-3000	CERAMIC
106156-3000	PHOSPHOR BRONZE



NOTES:

- FOR PANEL THICKNESS .080 TO .108, ELIMINATE LOCK WASHER.
- DUST CAPS ARE NOT SHOWN, BUT INCLUDED.
- TIGHTEN THE NUT TO 23 N-cm (2 lb-in)

ENTER DESCRIPTION EC NO: MF2013-0054 DR: MARK PEVZNER 2012/07/24 CHKD: APPR: WCHEN 2012/07/24 A3	QUALITY SYMBOLS	GENERAL TOLERANCES (UNLESS SPECIFIED)	DIMENSION STYLE	SCALE	DESIGN UNITS	THIRD ANGLE PROJECTION
	▽=0 ▽=0	mm	IN/MM	5:1	INCH	FC ADAPTER ("D" HOLE, TIGHT FIT KEY) molex DOCUMENT NO. SD-10615X-3000 SHEET NO. 1 OF 1
		INCH	IN/MM	DRAWN BY	DATE	
		4 PLACES ± --- ± --- 3 PLACES ± --- ± --- 2 PLACES ± --- ± --- 1 PLACE ± --- ± --- 0 PLACE ± ±	IN/MM	PGIBL IN	2005/10/25	
ANGULAR ±1/2° DRAFT WHERE APPLICABLE MUST REMAIN WITHIN DIMENSIONS	IN/MM	CHECKED BY	DATE			
MATERIAL NO. SEE TABLE SIZE B	IN/MM	APPROVED BY	DATE			