

**Ratings**

Voltage: 150 V  
 Temperature: -40~70 °C

**Conductor**

Conductor count: 10  
 Gauge: 24 AWG 0.21 mm<sup>2</sup>  
 Material: Tinned copper strands  
 Strand size:  $\varnothing 0.08 \times 41$   
 Resistance at 20 °C: 95  $\Omega$  /km Max

**Insulator**

Material: HDPE  
 Color: red, black, white, yellow, blue, green, orange, purple, gray, brown  
 Diameter:  $\varnothing 1.05 \pm 0.10$  mm  
 Nominal thickness: 0.22 mm  
 Resistance at 20 °C: 100 M $\Omega$  /km Min

**Wrap**

Material: cotton paper

**Filler**

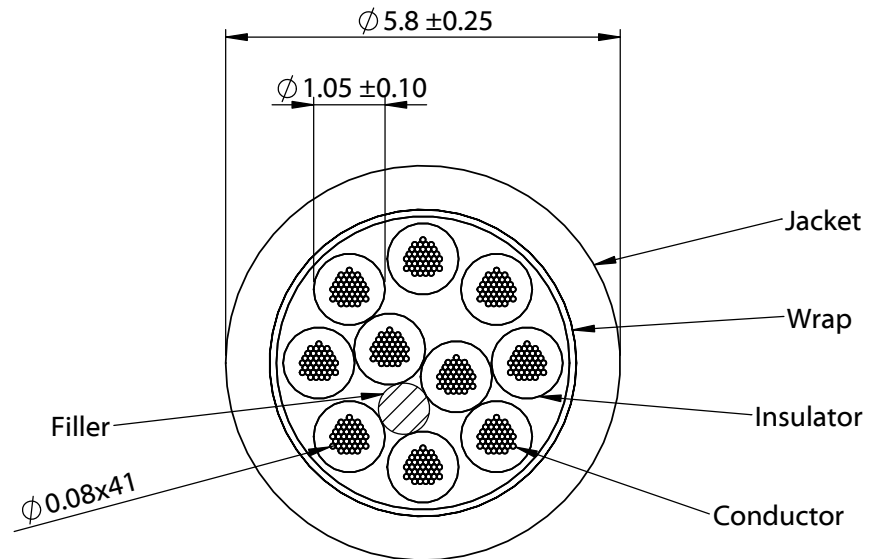
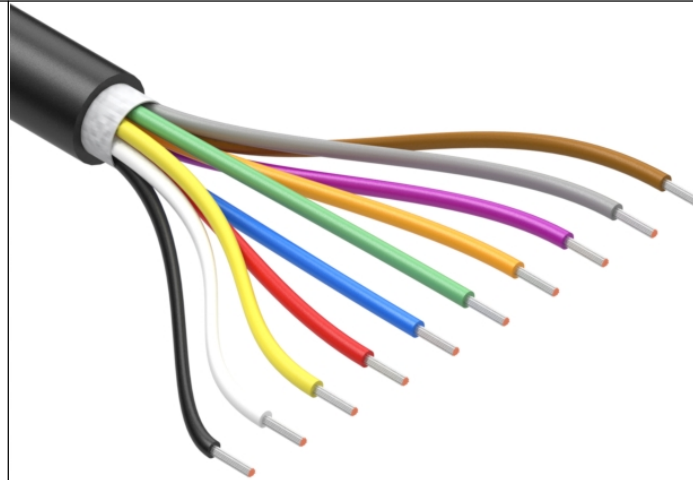
Material: aramid fiber

**Outer jacket**

Material: TPU  
 Color: black  
 Diameter:  $\varnothing 5.8 \pm 0.25$  mm  
 Nominal thickness: 0.70 mm

**Tests**

Tensile strength: 26 kgf min  
 Dielectric test: 1500 V dc for 1 minute without breakdown  
 Bend test at 200 g,  $\pm 60^\circ$ , 30 cycles /min: 15,000 cycle minimum



Revision:	Date:	Description:
A	7/9/2022	Initial release

Prepared: **MP** Digitally signed by MP Date: 2022.09.15 14:34:31 +0700

Verified: **PB** Digitally signed by PB Date: 2022.09.20 08:09:35 -0700

Dimensions are in millimeters.  
 Tolerances:  
 X:  $\pm 0.5$  mm  
 X.X:  $\pm 0.3$  mm  
 X.XX:  $\pm 0.05$  mm

Notes:  
 RoHS compliant  
 Jacket meets ISO 10993 Biological Compatibility  
 Phthalate and halogen free  
 Function test: no open, no short, no intermittent

Description:  
 Wire, 10C TS, 24 AWG, 150V, 70C, 5.8 mm, TPU, 75A, WBL

**TENSILITY**

tel 1.541.323.3228 800 877.670.7118  
 fax 1.541.323.4202 web tensility.com

Size: A Part number: 30-02697

Scale: 9:1 Sheet 1 of 1