



Connectors > Circular Connectors > Standard Circular Connectors



Connector System: **Wire-to-Board**

Number of Positions: **5**

Sealable: **Yes**

Contact Current Rating (Max): **4 A**

Circuit Application: **Signal**

## Features

### Product Type Features

Product Type	Connector Assembly
Connector System	Wire-to-Board
Sealable	Yes
Circular Connector Type	Plug
Shell Type	Metal

### Configuration Features

Number of Positions	5
Number of Power Positions	0
Number of Signal Positions	5
Contacts Preloaded	Yes

### Body Features

Shell Plating Material	Nickel
Shell Base Material	Brass
Circular Connector Insulation Material Type	Polyamide



### Contact Features

Contact Current Rating (Max)	4 A
Reverse Gender	Yes
Contact Layout Arrangement	Circular
Circular Connector Contact Type	Pin

### Mechanical Attachment

Connector Mounting Type	Panel Mount
Polarization Code	A
Mating Alignment Type	Keyed
Mating Retention	With

### Housing Features

Circular Connector Shell Size	12
-------------------------------	----

### Usage Conditions

IP Water Sealing Level	8
IP Dust Sealing Level	6
Operating Temperature Range	-40 – 80 °C[-40 – 176 °F]

### Operation/Application

Circuit Application	Signal
Shielded	No

### Product Compliance

[For compliance documentation, visit the product page on TE.com>](#)

EU RoHS Directive 2011/65/EU	Compliant with Exemptions
EU ELV Directive 2000/53/EC	Compliant
China RoHS 2 Directive MIIT Order No 32, 2016	Restricted Materials Above Threshold
EU REACH Regulation (EC) No. 1907/2006	Current ECHA Candidate List: JUNE 2023 (235) Candidate List Declared Against: JUNE 2023 (235) SVHC > Threshold: Pb (4% in Component Part) <b>Article Safe Usage Statements:</b> Do not eat, drink or smoke when using this product. Wash thoroughly after handling. Recycle if possible and dispose of the article by following all applicable governmental regulations relevant to your geographic location.
Halogen Content	Low Halogen - Br, Cl, F, I < 900 ppm per homogenous material. Also BFR/CFR/PVC Free



Solder Process Capability

Not reviewed for solder process capability

Product Compliance Disclaimer

This information is provided based on reasonable inquiry of our suppliers and represents our current actual knowledge based on the information they provided. This information is subject to change. The part numbers that TE has identified as EU RoHS compliant have a maximum concentration of 0.1% by weight in homogenous materials for lead, hexavalent chromium, mercury, PBB, PBDE, DBP, BBP, DEHP, DIBP, and 0.01% for cadmium, or qualify for an exemption to these limits as defined in the Annexes of Directive 2011/65/EU (RoHS2). Finished electrical and electronic equipment products will be CE marked as required by Directive 2011/65/EU. Components may not be CE marked. Additionally, the part numbers that TE has identified as EU ELV compliant have a maximum concentration of 0.1% by weight in homogenous materials for lead, hexavalent chromium, and mercury, and 0.01% for cadmium, or qualify for an exemption to these limits as defined in the Annexes of Directive 2000/53/EC (ELV). Regarding the REACH Regulation, the information TE provides on SVHC in articles for this part number is based on the latest European Chemicals Agency (ECHA) 'Guidance on requirements for substances in articles' posted at this URL: <https://echa.europa.eu/guidance-documents/guidance-on-reach>

## Compatible Parts



TE Part # T4110002051-000  
M12,FEMALE,STRAIGHT,A CODE,5P,  
PG9,GOLD

## Customers Also Bought



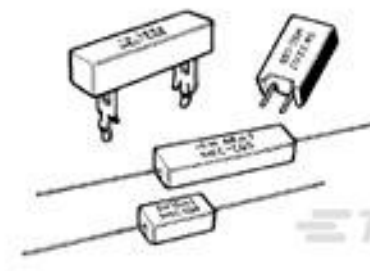
TE Part #3-640440-2  
02P MTA100 CONN ASSY 22AWG RED



TE Part #640456-2  
PCB Header: Polyester, Vertical,  
Unshrouded, No Mating Alignment



TE Part #1-338069-8  
MICRO-MATCH SMD FTE



TE Part #1623783-4  
SQM7 1K0 5% (METAL FILM)



TE Part #1825910-6  
FSM4JH=6MM TACT SWITCH, HIGH  
TEMP



TE Part #1393194-9  
T77S1D10-12



TE Part #9-1393222-1  
V23061B1005A301=MINISTARKSTROM



TE Part #2329362-1  
PB OFF/ON RC BLK M1 TERM IP68  
500MM LHS

## Documents

Product Drawings

M12.MALE.PNLREAR.ACODE.5P.PCBSTAND.STRT



English

---

**CAD Files**

[3D PDF](#)

3D

Customer View Model

[ENG\\_CVM\\_CVM\\_4-2172070-2\\_A.2d\\_dxf.zip](#)

English

Customer View Model

[ENG\\_CVM\\_CVM\\_4-2172070-2\\_A.3d\\_igs.zip](#)

English

Customer View Model

[ENG\\_CVM\\_CVM\\_4-2172070-2\\_A.3d\\_stp.zip](#)

English

By downloading the CAD file I accept and agree to the [Terms and Conditions](#) of use.

---

**Datasheets & Catalog Pages**

[M8 / M12 Connector System Catalog](#)

English

[M8 / M12 Connector System Catalog](#)

Japanese

---

**Product Specifications**

[Application Specification](#)

English