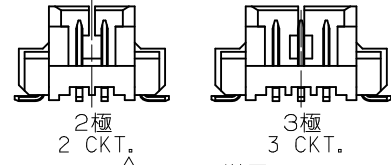
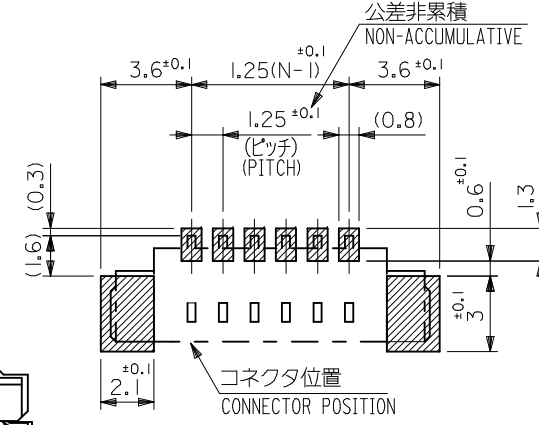
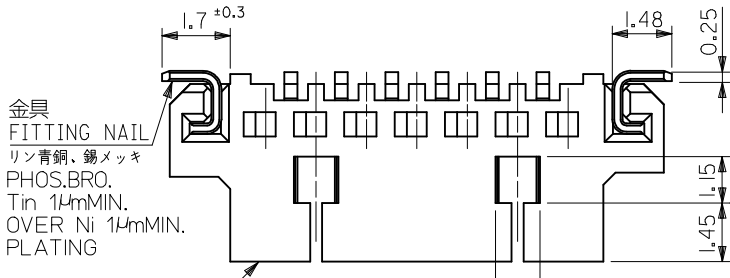


注記 NOTES

- 嵌合相手: 51021シリーズ MATE WITH: 51021 SERIES
- 水平面上においての、ウエハー底面 **W** とソルダーテール及びフィッティングネイル底面とのズレ量を示す。
MISALIGNMENT OF SOLDER TAIL & FITTING NAIL FROM **W**
- 偶数極にのみ適用。APPLY EVEN CIRCUIT PRODUCTS.
- ロック窓は、2、3極は1ヶ所、4極以上は2ヶ所とする。
LOCKING WINDOW: ONE PLACE FOR 2&3 CKTS. TWO PLACES FOR MORE THAN 4 CKTS.
- ソルダーテール及び金具の平坦度は0.1以下。
SOLDER TAIL & FITTING NAIL COPLANARITY TO BE 0.1 MAX.
- ELV及びRoHS適合品
ELV AND RoHS COMPLIANT.

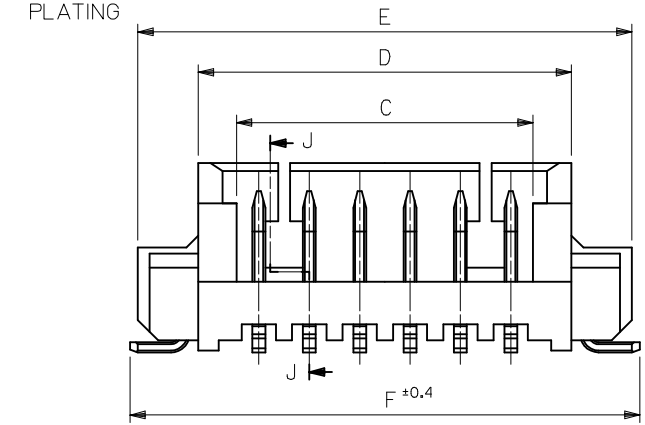
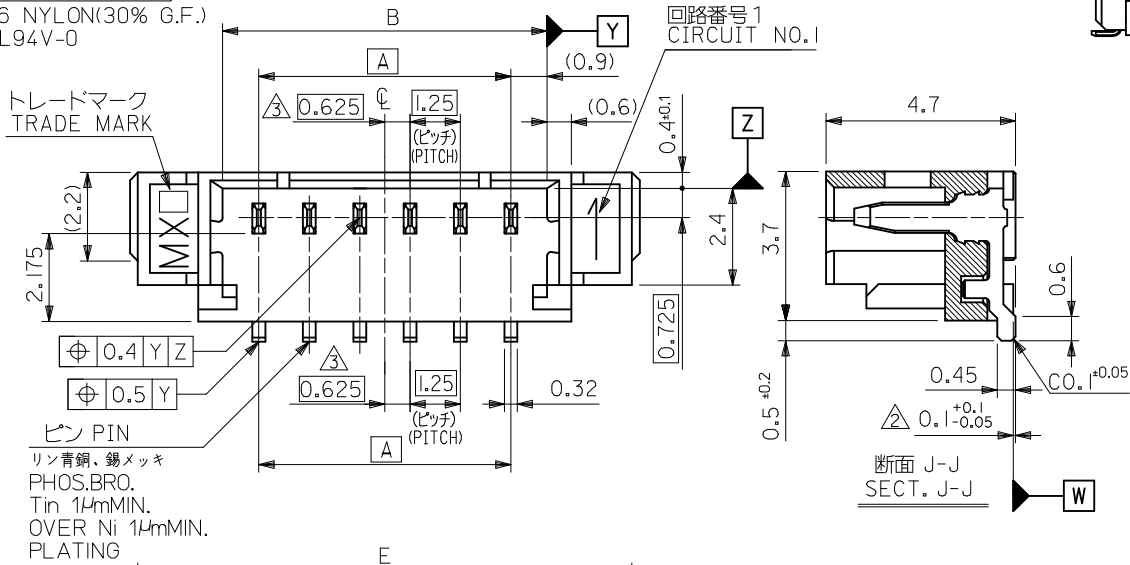


LOCK CONFIGURATION

23.9	23.5	20.5	18.6	19.3	17.5	53398-154*	53398-*159	15
22.65	22.25	19.25	17.35	18.05	16.25	-144*	-*149	14
21.4	21	18	16.1	16.8	15	-134*	-*139	13
20.15	19.75	16.75	14.85	15.55	13.75	-124*	-*129	12
18.9	18.5	15.5	13.6	14.3	12.5	-114*	-*119	11
17.65	17.25	14.25	12.35	13.05	11.25	-104*	-*109	10
16.4	16	13	11.1	11.8	10	-094*	-*099	9
15.15	14.75	11.75	9.85	10.55	8.75	-084*	-*089	8
13.9	13.5	10.5	8.6	9.3	7.5	-074*	-*079	7
12.65	12.25	9.25	7.35	8.05	6.25	-064*	-*069	6
11.4	11	8	6.1	6.8	5	-054*	-*059	5
10.15	9.75	6.75	4.85	5.55	3.75	-044*	-*049	4
8.9	8.5	5.5	3.6	4.3	2.5	-034*	-*039	3
7.65	7.25	4.25	2.35	3.05	1.25	53398-024*	53398-*029	2

MATERIAL NO.	MATERIAL NO.	極数 NO. OF CKTS.
MODEL NO. 53398-***4	MODEL NO. 53398-***9	
3: 黄 YELLOW	8: 黒 BLACK	
4: 青(紫) BLUE(PURPLE)	9: 赤 RED	
6: 緑 GREEN		

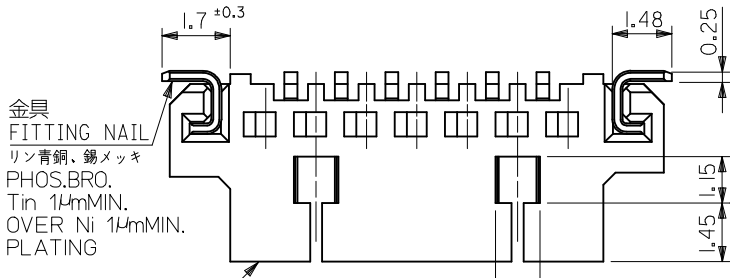
参考基板レイアウト
RECOMMENDED P.C. BOARD PATTERN DIM.(REF.)



REVISED EC NO: J2017-0403 DRWNS: S0BARA01 2017/01/26 CHK: DAIDA 2017/01/31 APPR: KANEKO 2017/02/01	GENERAL TOLERANCES (UNLESS SPECIFIED)		DIMENSION STYLE MM ONLY		SCALE 8:1	DESIGN UNITS METRIC	THIRD ANGLE PROJECTION
	0.25 UNDER	UNDER	±0.03	DRAWN BY M.UMEDA	DATE 2005/02/17	TITLE PICOBLADE 125 HEADER ASSY SMT ST TYPE	
	0.25 OVER	0.5 UNDER	±0.05	CHECKED BY K.TOYODA	DATE 2005/02/17	DOCUMENT NO. SD-53398-038	
	0.5 OVER	1.0 UNDER	±0.1	APPROVED BY N.UKITA	DATE 2005/02/17	SHEET NO. 1 OF 1	
	1.0 OVER	30 UNDER	±0.2	MATERIAL NO.	SEE CHART		
30 OVER		±0.3	DRAFT WHERE APPLICABLE MUST REMAIN WITHIN DIMENSIONS		THIS DRAWING CONTAINS INFORMATION THAT IS PROPRIETARY TO MOLEX ELECTRONIC TECHNOLOGIES, LLC AND SHOULD NOT BE USED WITHOUT WRITTEN PERMISSION		

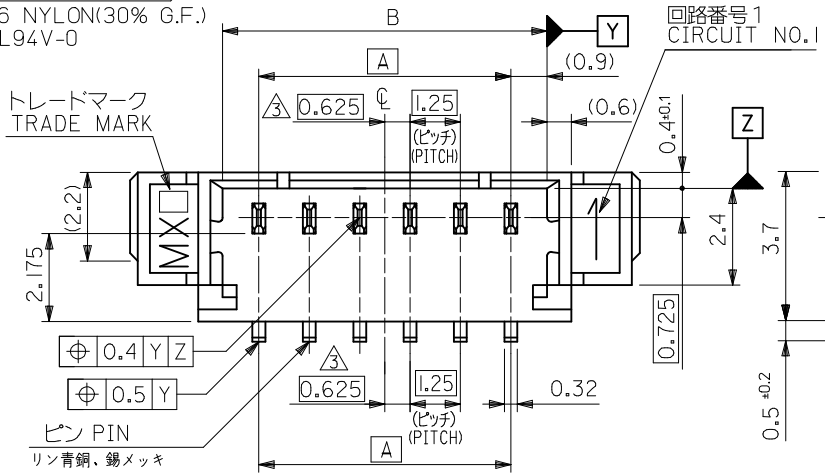
注記 NOTES

- 嵌合相手: 5I02Iシリーズ MATE WITH: 5I02I SERIES
- 水平面上においての、ウエハー底面 **W** とソルダーテール及びフィッティングネイル底面とのズレ量を示す。
MISALIGNMENT OF SOLDER TAIL & FITTING NAIL FROM **W**
- 偶数極にのみ適用。APPLY EVEN CIRCUIT PRODUCTS.
- ロック窓は、2、3極は1ヶ所、4極以上は2ヶ所とする。
LOCKING WINDOW: ONE PLACE FOR 2&3 CKTS.
TWO PLACES FOR MORE THAN 4 CKTS.
- ソルダーテール及び金具の平坦度は0.1以下。
SOLDER TAIL & FITTING NAIL COPLANARITY TO BE 0.1 MAX.
- ELV及びRoHS適合品
ELV AND RoHS COMPLIANT.



金具
FITTING NAIL
リン青銅、錫メッキ
PHOS.BRO.
Tin 14μMIN.
OVER Ni 14μMIN.
PLATING

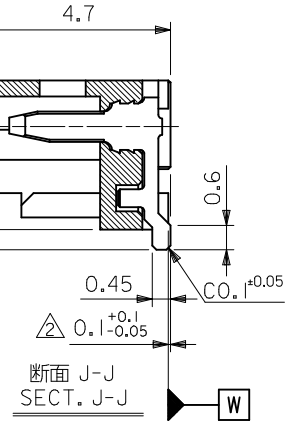
ウエハー
WAFER
46 NYLON(30% G.F.)
UL94V-0



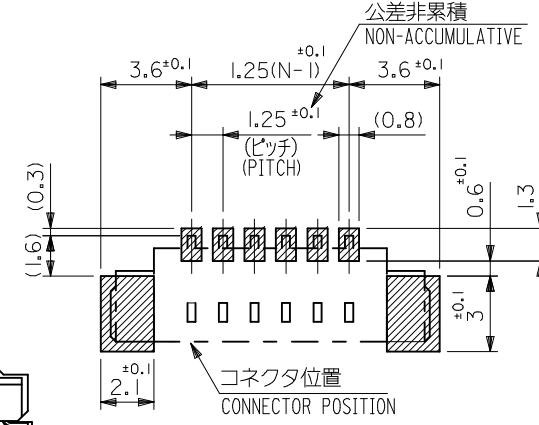
トレードマーク
TRADE MARK

ピン PIN
リン青銅、錫メッキ
PHOS.BRO.
Tin 14μMIN.
OVER Ni 14μMIN.
PLATING

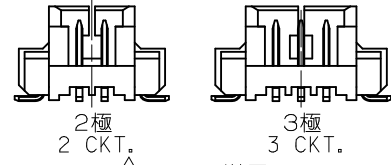
回路番号 1
CIRCUIT NO.1



断面 J-J
SECT. J-J



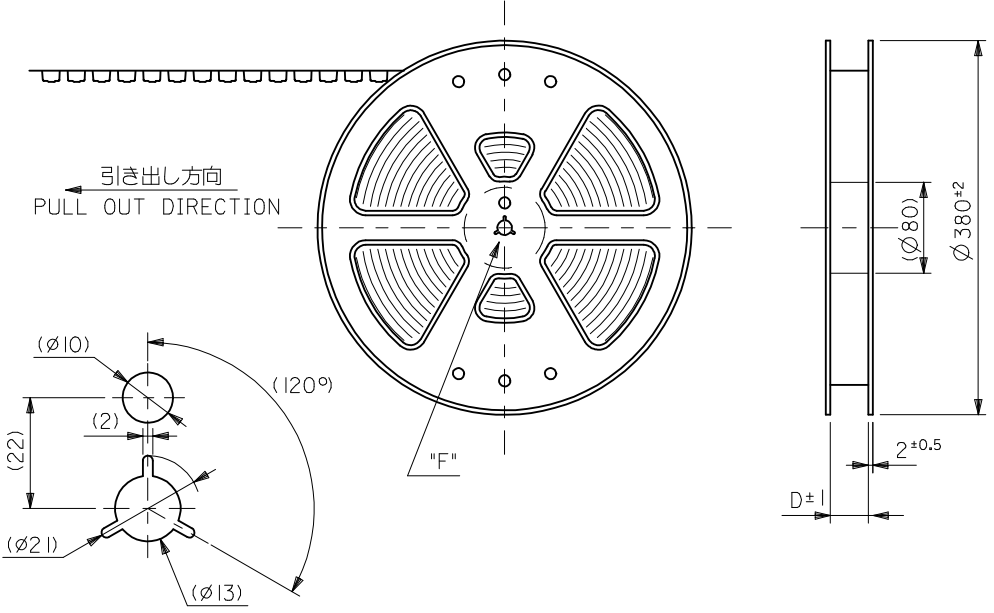
公差非累積
NON-ACCUMULATIVE
コネクタ位置
CONNECTOR POSITION
参考基板レイアウト
RECOMMENDED P.C.BOARD PATTERN DIM.(REF.)



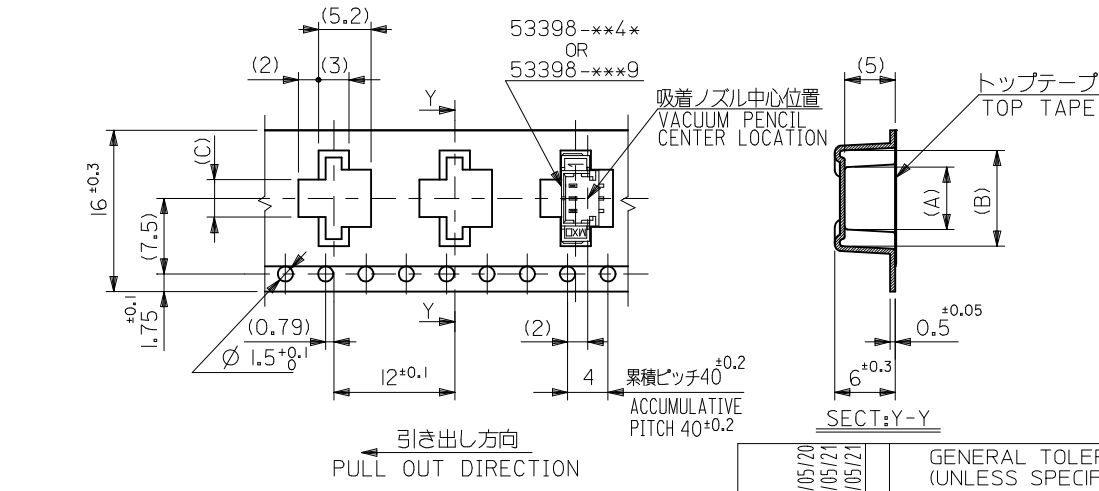
2極 2 CKT.
3極 3 CKT.
ロック形状図
LOCK CONFIGURATION

23.9	23.5	20.5	18.6	19.3	17.5	53398-154*	53398-159	15
22.65	22.25	19.25	17.35	18.05	16.25	-144*	-149	14
21.4	21	18	16.1	16.8	15	-134*	-139	13
20.15	19.75	16.75	14.85	15.55	13.75	-124*	-129	12
18.9	18.5	15.5	13.6	14.3	12.5	-114*	-119	11
17.65	17.25	14.25	12.35	13.05	11.25	-104*	-109	10
16.4	16	13	11.1	11.8	10	-094*	-099	9
15.15	14.75	11.75	9.85	10.55	8.75	-084*	-089	8
13.9	13.5	10.5	8.6	9.3	7.5	-074*	-079	7
12.65	12.25	9.25	7.35	8.05	6.25	-064*	-069	6
11.4	11	8	6.1	6.8	5	-054*	-059	5
10.15	9.75	6.75	4.85	5.55	3.75	-044*	-049	4
8.9	8.5	5.5	3.6	4.3	2.5	-034*	-039	3
7.65	7.25	4.25	2.35	3.05	1.25	53398-024*	53398-029	2
F	E	D	C	B	A	MATERIAL NO.	MATERIAL NO.	極数 NO. OF CKTS.
						MODEL NO. 53398-***4	MODEL NO. 53398-***9	
						3: 黄 YELLOW 4: 青(紫) BLUE(PURPLE) 6: 緑 GREEN	8: 黒 BLACK 9: 赤 RED	

REVISED EC NO: J2017-0403 DRWN: S0BARA01 2017/01/26 CHK: DAIDA 2017/01/31 APPR: KANEKO 2017/02/01	GENERAL TOLERANCES (UNLESS SPECIFIED)		DIMENSION STYLE MM ONLY		SCALE 8:1	DESIGN UNITS METRIC	THIRD ANGLE PROJECTION
	0.25 UNDER	UNDER	±0.03	DRAWN BY M.UMEDA	DATE 2005/02/17	TITLE PICOBLADE 125 HEADER ASSY SMT ST TYPE	
	0.25 OVER	0.5 UNDER	±0.05	CHECKED BY K.TOYODA	DATE 2005/02/17	molex DOCUMENT NO. SD-53398-038 SHEET NO. 1 OF 1	
	0.5 OVER	1.0 UNDER	±0.1	APPROVED BY N.UKITA	DATE 2005/02/17		
	1.0 OVER	10 UNDER	±0.2	MATERIAL NO.		SEE CHART	
10 OVER	30 UNDER	±0.25	SIZE A3		THIS DRAWING CONTAINS INFORMATION THAT IS PROPRIETARY TO MOLEX ELECTRONIC TECHNOLOGIES, LLC AND SHOULD NOT BE USED WITHOUT WRITTEN PERMISSION		
30 OVER		±0.3	DRAFT WHERE APPLICABLE MUST REMAIN WITHIN DIMENSIONS				



DETAIL "F"



SECT: Y-Y

16幅テープ (TAPE WIDTH:16)

NOTES

- 梱包数量: 1000個/リール
NUMBER OF CONNECTOR: 1000PCS/REEL
- リードテープ長さ
LEAD TAPE LENGTH
- トップテープの剥離強度: 0.6±0.35N(60±35gf) (剥離方向は下図参照)
PEELING OFF FORCE OF TOP TAPE: 0.6±0.35N(60±35gf) (PEELING DIRECTION IS SHOWN IN FOLLOWING FIG.)
 <剥離速度: 300mm/min (参考)>
 PEELING SPEED: 300mm/min (REFERENCE)
- 製品詳細寸法は製品単体図面を参照して下さい。
For detail of connector dimensions, please see the drawing of connector itself (not packaged).
- 材料 (MATERIAL)
 キャリアテープ (CARRIER TAPE): ポリプロピレン (POLYPROPYLENE)
 トップテープ (TOP TAPE): PET, PE, PEF
 リール (REEL): ポリスチレン (P.S) <リサイクル材含む>
 POLYSTYRENE (PS) <RECYCLE MATERIAL CONTAINED>
- 本製品は乾燥剤入り、ハイバリア梱包仕様である。
THIS PRODUCT IS HIGH BARRIER PACKAGE WITH DESICCANT.

16	17.4	3.7 2.45	9.5 8.25	5.8 4.55	53398-035*	53398-037*	3
					53398-025*	53398-027*	2
キャリアテープ幅 CARRIER TAPE WIDTH	D	(C)	(B)	(A)	MATERIAL NO. MODEL NO. 53398-***x	MATERIAL NO. MODEL NO. 53398-***x	極致 CKT.
					COLOR 3: 黄 YELLOW 4: 青(紫) BLUE(PURPLE) 6: 緑 GREEN	COLOR 6: 黒 BLACK 7: 赤 RED	

REVISED EC NO.: J2009-2060 DRWN:TKON 2009/05/20 CHKD:HMATSUMOTO 2009/05/21 APPR:NUKITA 2009/05/21	DESCRIPTION	GENERAL TOLERANCES (UNLESS SPECIFIED)		DIMENSION STYLE MM ONLY		SCALE ---	DESIGN UNITS METRIC	THIRD ANGLE PROJECTION	
		10 UNDER	±0.2	DRAWN BY M.UMEDA	DATE 2005/02/18	TITLE 1.25 W/B CONN. WAFER ASSY EMBSTP PKG. -LEAD FREE-			
		10 OVER 30 UNDER	±0.25	CHECKED BY K.TOYODA	DATE 2005/02/18	MOLEX INCORPORATED			
		30 OVER	±0.3	APPROVED BY N.UKITA	DATE 2005/02/18	DOCUMENT NO. SD-53398-039			
		ANGULAR ±3 °		MATERIAL NO. SEE TABLE		SHEET NO. 1 OF 3			
		DRAFT WHERE APPLICABLE MUST REMAIN WITHIN DIMENSIONS		THIS DRAWING CONTAINS INFORMATION THAT IS PROPRIETARY TO MOLEX INCORPORATED AND SHOULD NOT BE USED WITHOUT WRITTEN PERMISSION					

F

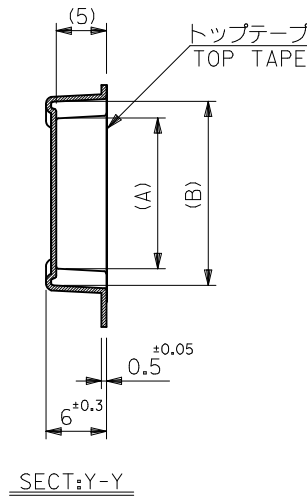
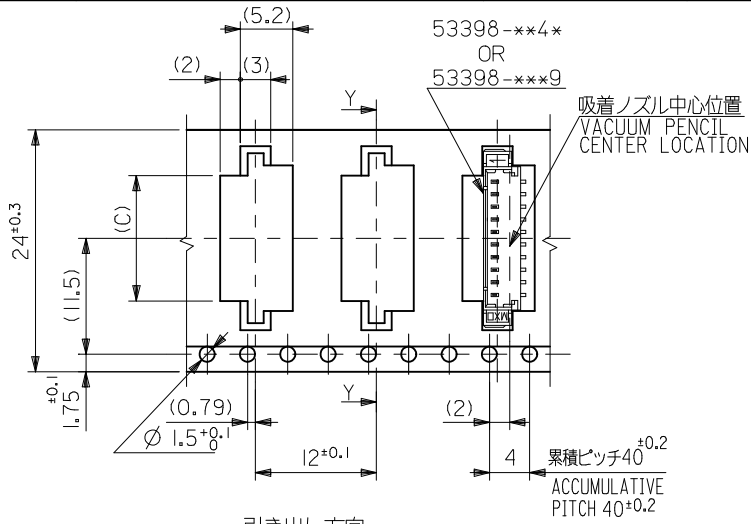
E

D

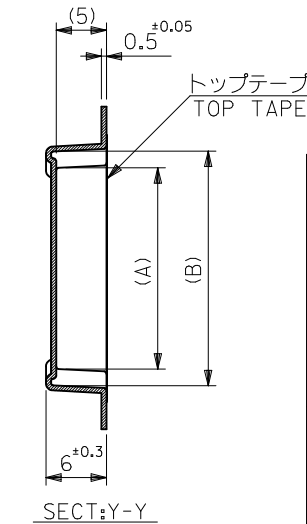
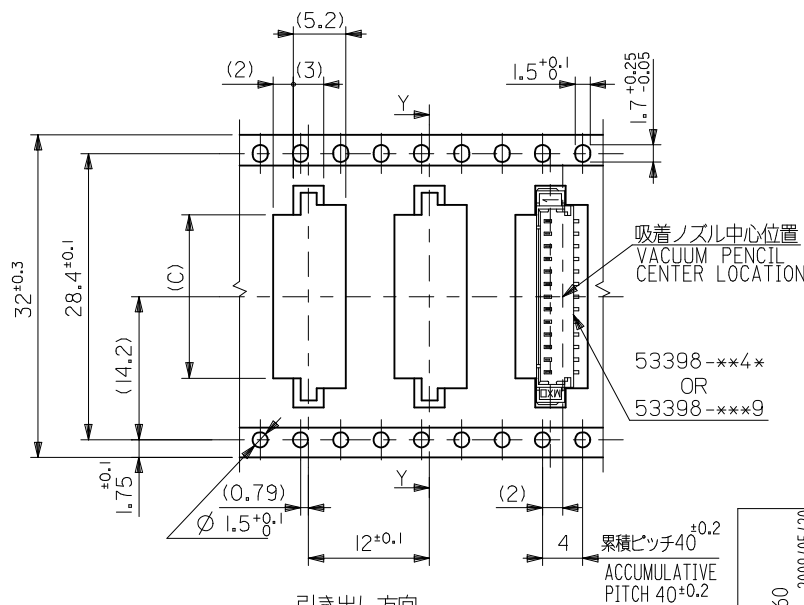
C

B

A



24幅テープ
(TAPE WIDTH:24)



32幅テープ
(TAPE WIDTH:32)

32	33.4	16.2	22	18.3	53398-135*	53398-137*	13
		14.95	20.75	17.05	-125*	-127*	12
24	25.4	13.7	19.5	15.8	-115*	-117*	11
		12.45	18.25	14.55	-105*	-107*	10
		11.2	17	13.3	-095*	-097*	9
		9.95	15.75	12.05	-085*	-087*	8
		8.7	14.5	10.8	-075*	-077*	7
		7.45	13.25	9.55	-065*	-067*	6
		6.2	12	8.3	-055*	-057*	5
		4.95	10.75	7.05	-045*	-047*	4
キャリアテープ幅 CARRIER TAPE WIDTH	D	(C)	(B)	(A)	MATERIAL NO. 53398-045*	MATERIAL NO. 53398-047*	種数 CKT.
COLOR	3: 黄 YELLOW		4: 青(紫) BLUE(PURPLE)		6: 黒 BLACK		7: 赤 RED

REVISED EC NO: J2009-2060 DRWN:TKON 2009/05/20 CHKD:HATSUMOTO 2009/05/21 APPR:NUKITA 2009/05/21	GENERAL TOLERANCES (UNLESS SPECIFIED)		DIMENSION STYLE MM ONLY		SCALE ---	DESIGN UNITS METRIC	THIRD ANGLE PROJECTION
	10 UNDER	±0.2	DRAWN BY M.UMEDA	DATE 2005/02/18	TITLE 1.25 W/B CONN. WAFER ASSY EMBSTP PKG. -LEAD FREE-		
	10 OVER 30 UNDER	±0.25	CHECKED BY K.TOYODA	DATE 2005/02/18	MOLEX INCORPORATED		
	30 OVER	±0.3	APPROVED BY N.UKITA	DATE 2005/02/18	DOCUMENT NO. SD-53398-039	SHEET NO. 2 OF 3	
REV	DESCRIPTION	ANGULAR ±3 °	MATERIAL NO. SEE TABLE		THIS DRAWING CONTAINS INFORMATION THAT IS PROPRIETARY TO MOLEX INCORPORATED AND SHOULD NOT BE USED WITHOUT WRITTEN PERMISSION		
DRAFT WHERE APPLICABLE MUST REMAIN WITHIN DIMENSIONS							

