



EFD20 High Frequency Transformer

AEFD20-3782-A



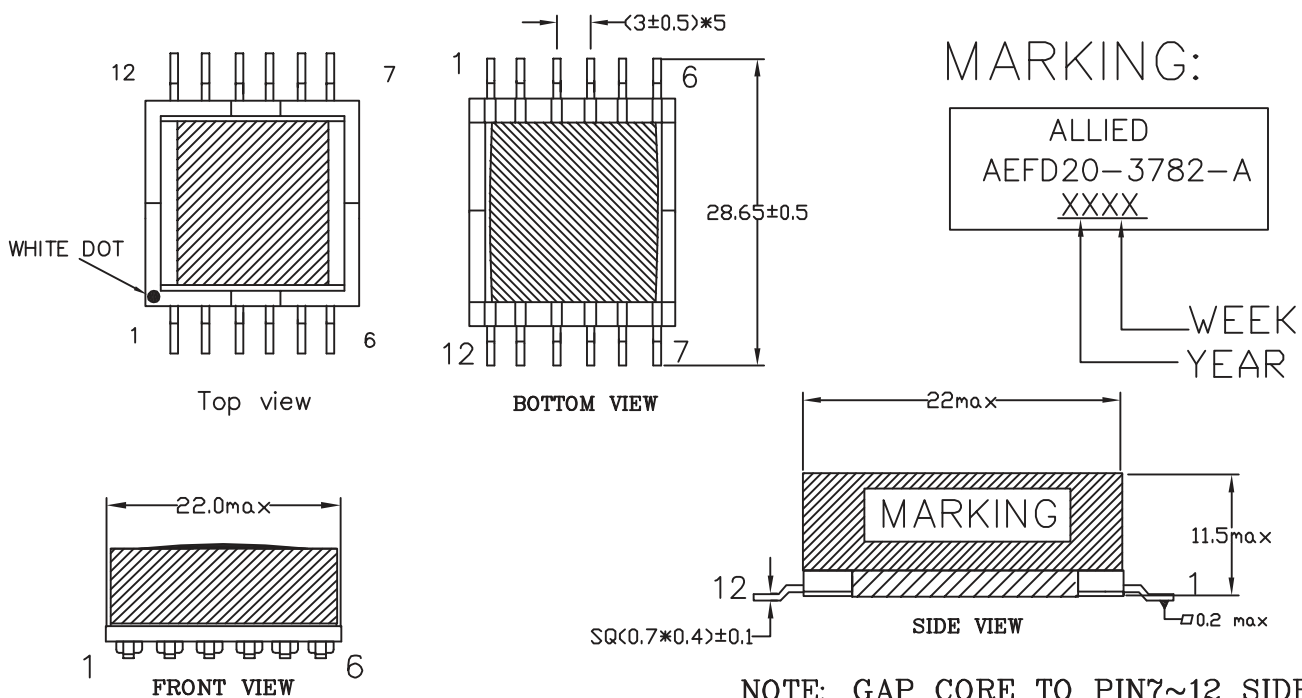
- EFD20 Core Design
- 12 Pin SMD
- Flyback Topology

Specifications @25°C				
S - F	Inductance F = 1KHz, 0.1Vrms	Leakage Inductance F= 1KHz, 0.1Vrms (Short sec)	DCR (Max)	Turns Ratio
1 - 3	42.5uH ±10%	1.0uH Max	120mΩ	24Ts
4 - 5	-	-	220mΩ	4Ts
5 - 6	-	-	330mΩ	6Ts
Secondary				
10 - 9			115mΩ	14Ts
11 - 8			115mΩ	14Ts
12 - 7			115mΩ	14Ts

Specifications @25°C					
Location / Desc.	PRI-PRI	PRI-SEC	SEC-CORE	PRI-CORE	COIL-CORE
Hi-Pot (50Hz/60Hz)	-	1500Vac, 5mA, 2 sec	500Vac, 5mA, 2 sec	5000Vac, 5mA, 2sec	-
Insulation Resistance	-	500Vac, 100mΩ min	500Vac, 100mΩ min	500Vac, 100mΩ min	-

All specifications subject to change without notice.

MECHANICAL

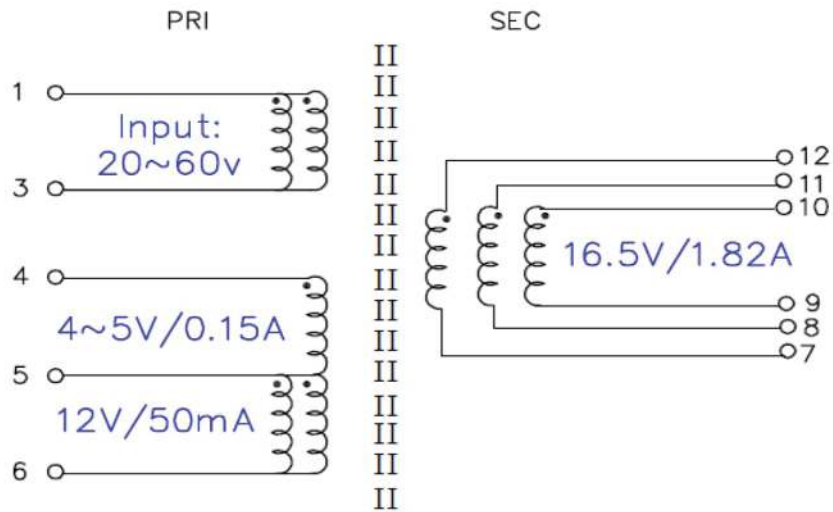




**ENVIRONMENTAL CONDITIONS**

1. Operating Frequency of 250KHz
2. Power: 30 W
3. Output 16.5V, 1.82A
4. Operating Temperature Range: -40°C ~ +85°C

**SCHEMATICS**



● Start