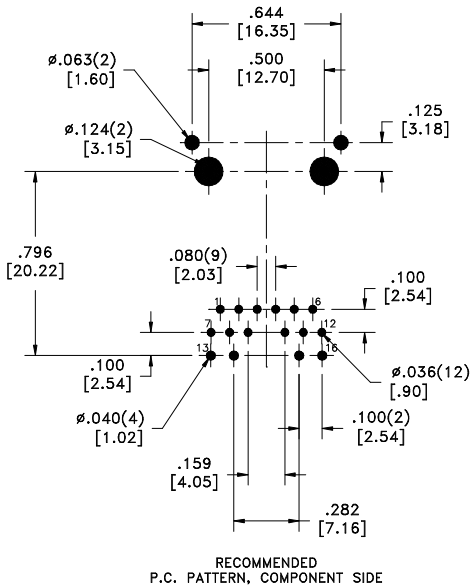
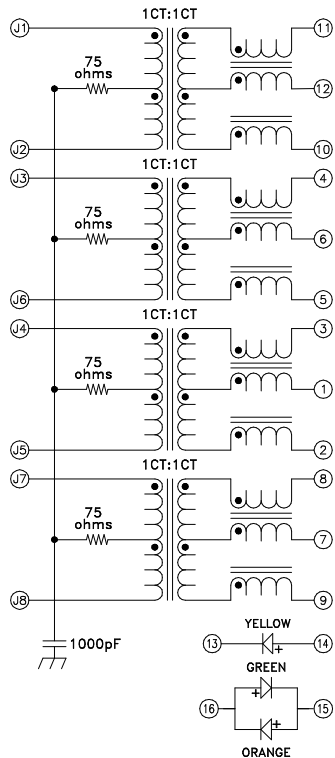
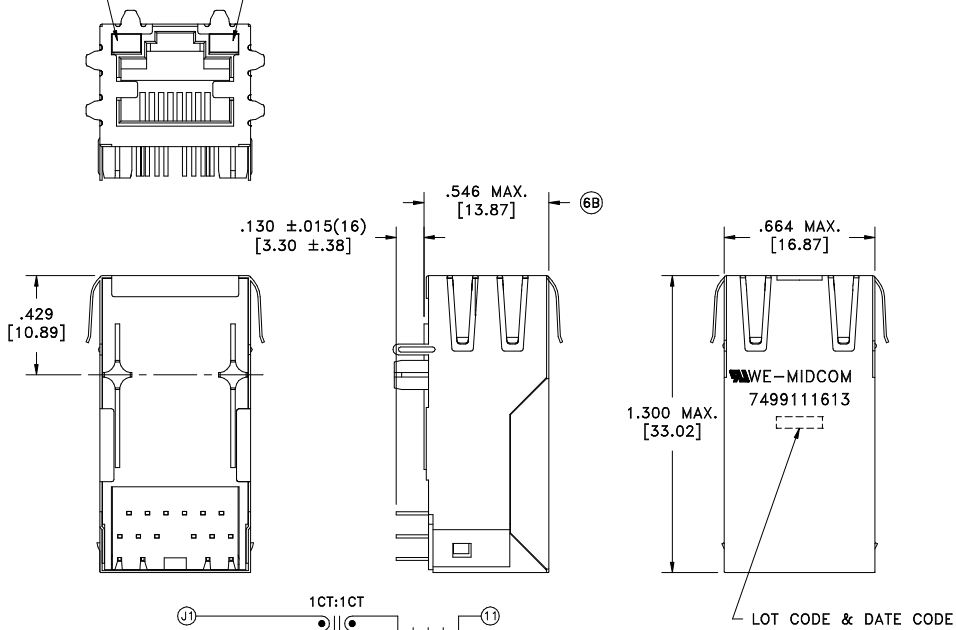


CUSTOMER TERMINAL	RoHS	LEAD(Pb)-FREE
Sn100%	Yes	Yes



GREEN/ORANGE YELLOW



ELECTRICAL SPECIFICATIONS @ 25°C unless otherwise noted:

PARAMETER	TEST CONDITIONS	VALUE	
INDUCTANCE	J1-J2	100kHz, 100mVAC, 8mADC, Lp	350uH min.
INDUCTANCE	J3-J6	100kHz, 100mVAC, 8mADC, Lp	350uH min.
INDUCTANCE	J4-J5	100kHz, 100mVAC, 8mADC, Lp	350uH min.
INDUCTANCE	J7-J8	100kHz, 100mVAC, 8mADC, Lp	350uH min.
DIELECTRIC	P1-12 to J1-J8	-	1500Vrms, 1 minute
URNS RATIO		Per schematic	-
INSERTION LOSS	1M - 100MHz		-1.0dB max.
RETURN LOSS	1M - 30MHz		-18dB min.
RETURN LOSS	30M - 60MHz		-15dB min.
RETURN LOSS	60M - 80MHz		-12dB min.
RETURN LOSS	80M - 100MHz		-10dB min.
CROSSTALK	1M - 30MHz		-40dB typ.
CROSSTALK	30M - 60MHz		-35dB typ.
CROSSTALK	60M - 100MHz		-30dB typ.
CMRR	1M - 100MHz		-30dB min.

GENERAL SPECIFICATIONS:

OPERATING TEMPERATURE RANGE: 0°C to +70°C.

(6B) MATERIAL AND FINISH:

Housing: PBT Black per UL 94-V0

Contact: Phosphor-Bronze

Contact Plating: Au 30u" plating in contact area

Ni 30u" min. plating in all area

Sn 120u" min. in solder area

Shield: C2680R-H

LED (Yellow): Frwd Voltage typ.: 2.1V

Frwd Voltage max.: 2.3V

Drive Current: 20mA

Wave Length: 589nm

LED (Green/Orange): Frwd Voltage typ.: 2.1V

Frwd Voltage max.: 2.6V

Drive Current: 20mA

Wave Length: 565/605nm

REV.	DATE
6B	2/09
6A	9/08

Packaging Specifications

Method: Tray
 PKG-0573
 www.midcom-inc.com

Unless otherwise specified:

Tolerances: Fractions: ±1/64
 Angles: ±1° Decimals: ±0.10 [.25]

This drawing is dual dimensioned. Dimensions in brackets are in millimeters.

DRAWING TITLE

**TRANSFORMER
GIGABIT**

eiSos p/n: 7499111613



DRAWING NO.

7499111613

REVISIONS: SEE SHEET 1

SCALE ---

SHEET 2 OF 6

AGENCY NUMBER	
UL60950-1	E205930