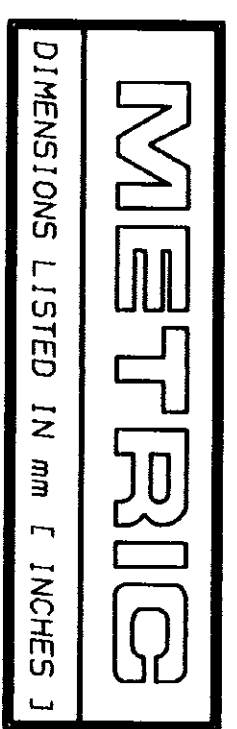
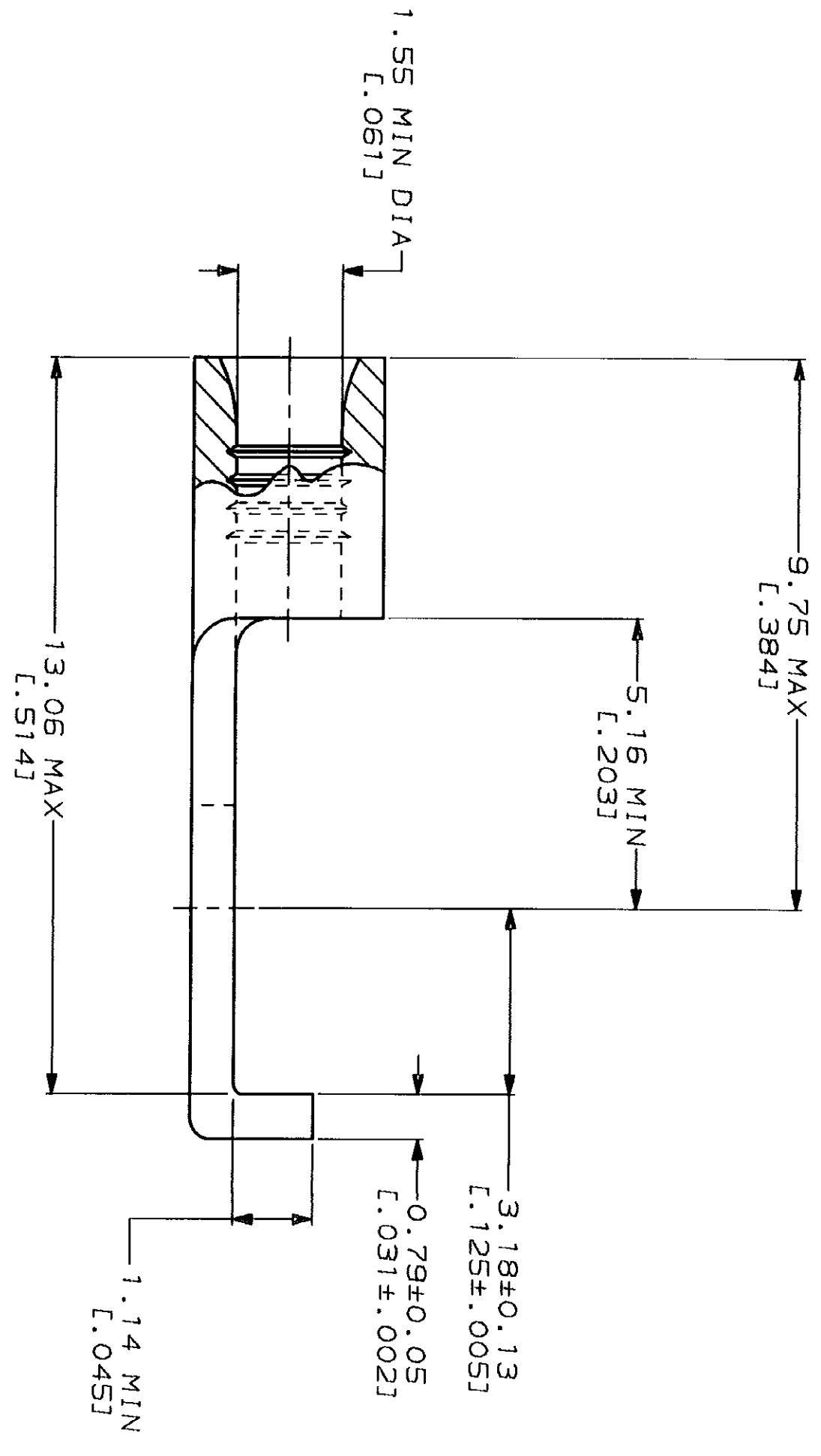
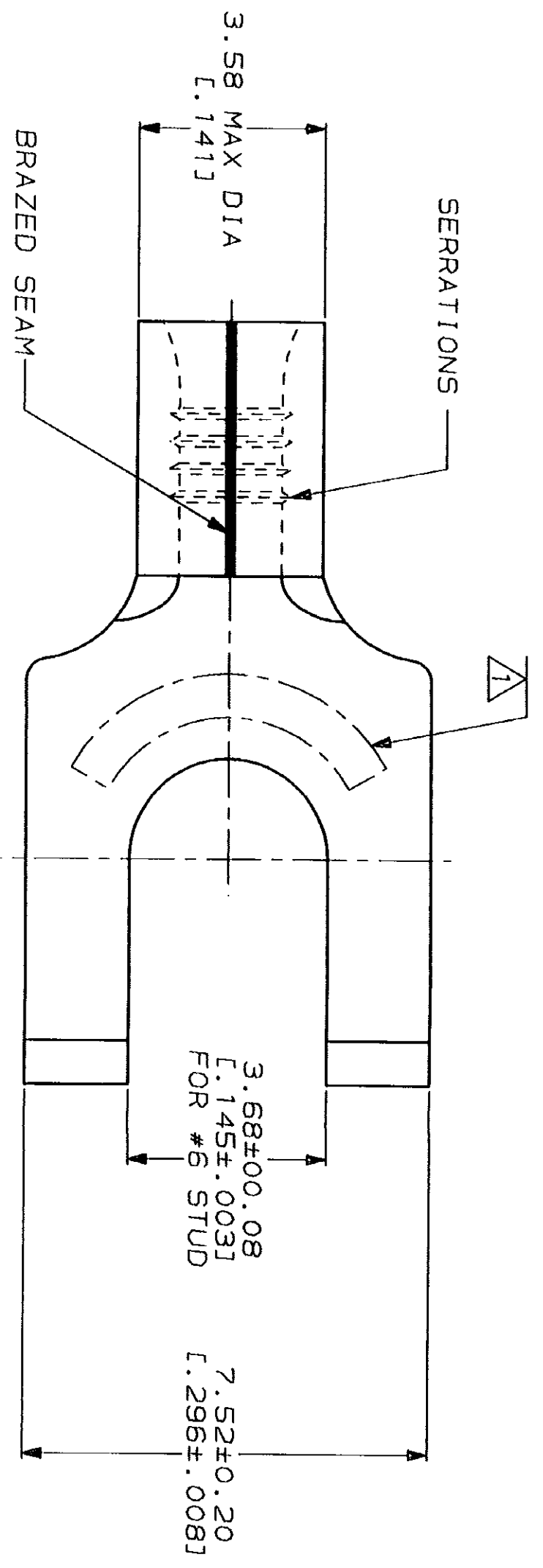


LOC	DIST	REV	DATE	APPD
G	14	F	4-8-93	18 DAP



AMP WIRE RANGE	UL E13288 Listed
22-16 AWG SOLID OR STRANDED	22-16 AWG SOLID OR STRANDED
LR2189 Certified	MILITARY P/N AND CLASS
22-16 AWG SOLID OR STRANDED	NOT APPLICABLE

△ STAMP AMP 22-18* APPROX AS SHOWN
 22-16 TERMINALS ARE STAMPED 22-18 IN
 ACCORDANCE WITH MILITARY SPECIFICATION
 MIL-T-7928; COMMERCIAL WIRE RANGE IS 22-16



QUANTITY	PACKAGE TYPE	PART NO
100	LOOSE PIECE BOX	8-320749-1
5000	ON TAPE	2-320749-2
----	LOOSE PIECE	320749

AMP INCORPORATED
CUSTOMER SERVICE SYSTEMS

FOR ADDITIONAL PRODUCT INFORMATION OR COPIES OF DRAWINGS AND TECHNICAL DOCUMENTS	PRODUCT INFORMATION CENTER 1-800-522-6752
FOR APPLICATION TOOLING INFORMATION	TOOLING ASSISTANCE CENTER 1-800-722-1111
FOR ORDER ENTRY	1-800-526-5142

MAX RECOMMENDED OPERATING
 TEMPERATURE: 170°C MAX

VOLTAGE RATING:
 NOT APPLICABLE

WIRE CROSS SECTIONAL AREA RANGE:
 0.26-1.65mm² [509-3,260] CIR MILS
 SOLID OR STRANDED

THIS DRAWING IS A CONTROLLED DOCUMENT FOR
 AMP INCORPORATED. IT IS SUBJECT TO CHANGE
 AND THE CONTROLLING ENGINEERING ORGANIZATION
 SHOULD BE CONTACTED FOR THE LATEST REVISION.

DO NOT SCALE PRINT.
 UNLESS SPECIFIED
 DIMENSIONS IN mm - FINISHES -
 TOLERANCES ON:
 1 P/L DEC ±
 2 P/L DEC ±
 3 P/L DEC ±
 ANGLES ±

MATERIAL
 COPPER PER
 ASTM B-152
 ANNEALED

FINISH
 TIN PLATE
 0.00254 [L.000100] MIN
 THK PER MIL-T-10727

DR 4-8-93
 TA BRINKMAN

CHK 4-8-93
 DA PATTERSON

APPD 4-8-93
 DE MILLER

APPD 4-8-93
 JL MECKLEY

AMP
 AMP Incorporated
 Harrisburg, PA 17105-3608

TERMINAL, FLANGED
 SPADE, SOLI STRAND™

SIZE CAGE CODE DRAWING NO
 00779 ©=320749
 SCALE 10:1 SHEET 1 OF 1