

21 mm Rotary Potentiometer

PHS21 Series



Features:

- Resistance range 1 K Ω to 1 M Ω
- Conductive plastic element
- 50,000 cycle life
- Hollow shaft

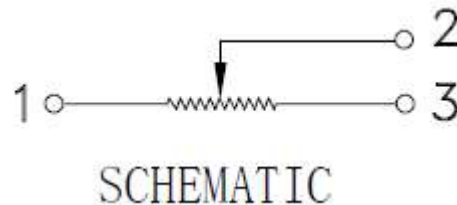


Description:

21 mm rotary hollow shaft potentiometer with plastic housing with mounting wings. Linear taper.

Applications:

- Amplifiers/mixers/synthesizers
- Appliances
- Audio/Car Radio/TV sets
- Industrial Controls
- Medical Equipment Controls
- Throttle Controls



Electrical Characteristics

T_A = 25°C unless otherwise noted

Resistance Range	1K Ω to 1M Ω
Standard Resistance Tolerance	$\pm 20\%$
Electrical Angle	300° $\pm 10^\circ$
Maximum Operating Voltage	50 VAC/20 VDC
Rated Power	0.5W
Dielectric Strength	1 minute at 250 VAC
Insulation Resistance	100M Ω min. at 200 VDC
Rotational Noise	< 100mVp-p

General Note

TT Electronics reserves the right to make changes in product specification without notice or liability. All information is subject to TT Electronics' own data and is considered accurate at time of going to print.

TT Electronics | BI Technologies
Circulo de la Amistad #102 PIMSA IV Mexicali B.C. Mexico C.P 21210
Ph: + 1 (714) 447-2345
www.ttelectronics.com

Mechanical Characteristics

T_A = 25°C unless otherwise noted

Total Rotational Travel	360°
Rotational Torque	20 - 150 gf.cm
Rotational Life	50,000 cycles

Environmental Characteristics

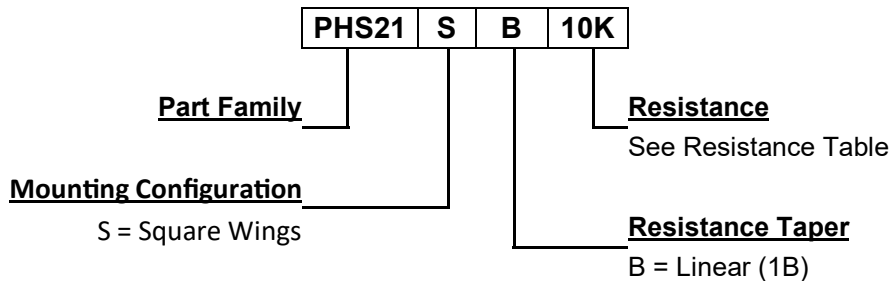
T_A = 25°C unless otherwise noted

Operating Temperature	-20°C to +105°C
IP Rating	IP 40
Soldering Condition	Wave Soldering 260°C maximum for 1-3 seconds Hand Soldering 300°C maximum for 3 seconds
RoHS	Please refer to TT Electronics website
REACH	Please refer to TT Electronics website

Packaging Information

Standard Packaging	Plastic Trays
--------------------	---------------

Ordering Information



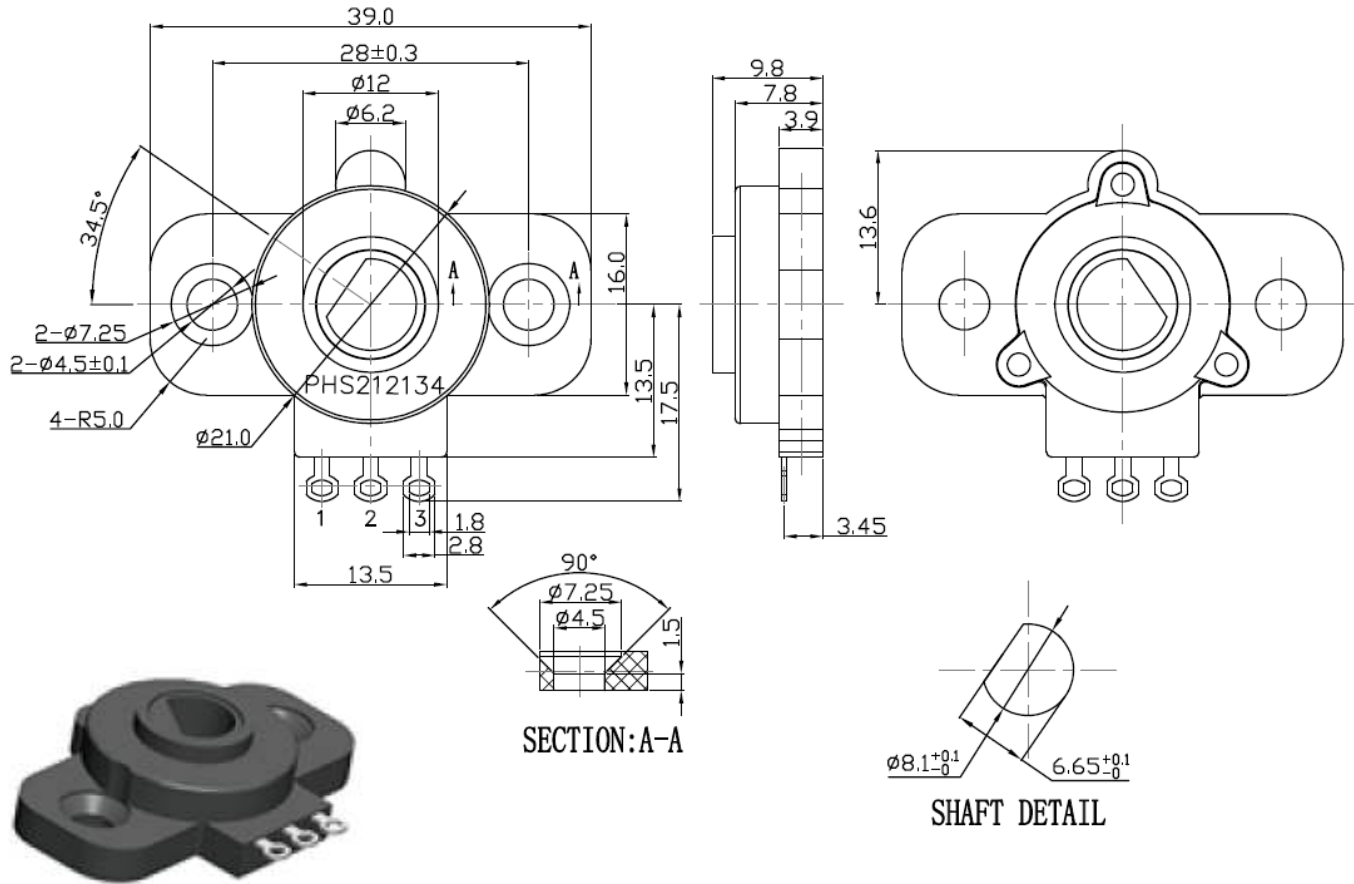
Resistance Table										
Resistance (Ohms)	1,000	2,000	5,000	10,000	20,000	50,000	100,000	200,000	500,000	1,000,000
Code	1K	2K	5K	10K	20K	50K	100K	200K	500K	1MEG

21 mm Rotary Potentiometer

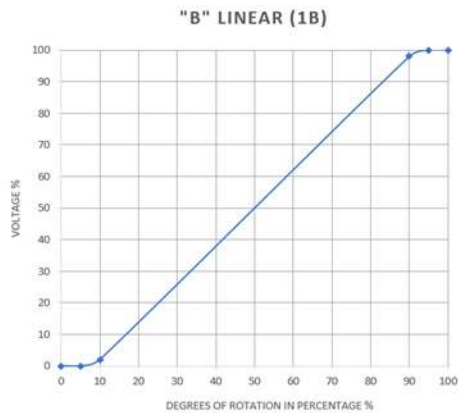
PHS21 Series



Outline Drawing



Standard Taper



General Note
 TT Electronics reserves the right to make changes in product specification without notice or liability. All information is subject to TT Electronics' own data and is considered accurate at time of going to print.

TT Electronics | BI Technologies
 Circulo de la Amistad #102 PIMSA IV Mexicali B.C. Mexico C.P 21210
 Ph: + 1 (714) 447-2345
 www.ttelectronics.com