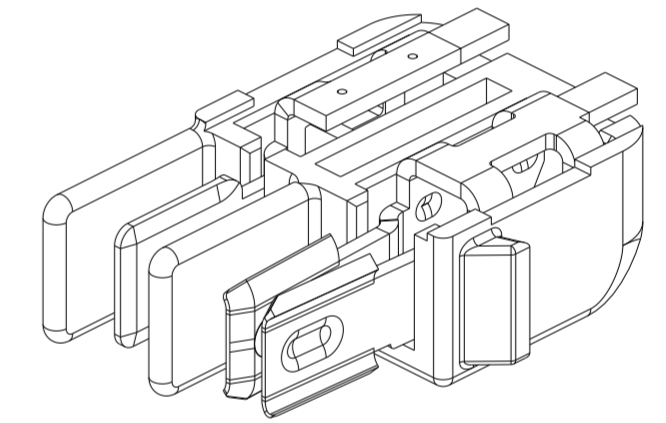
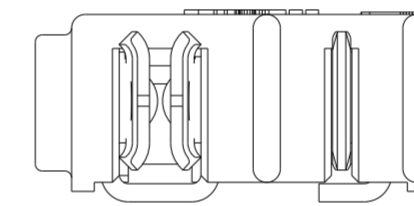
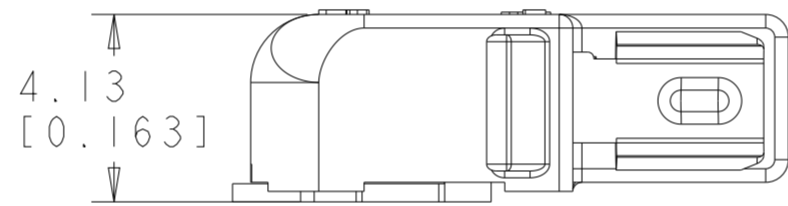
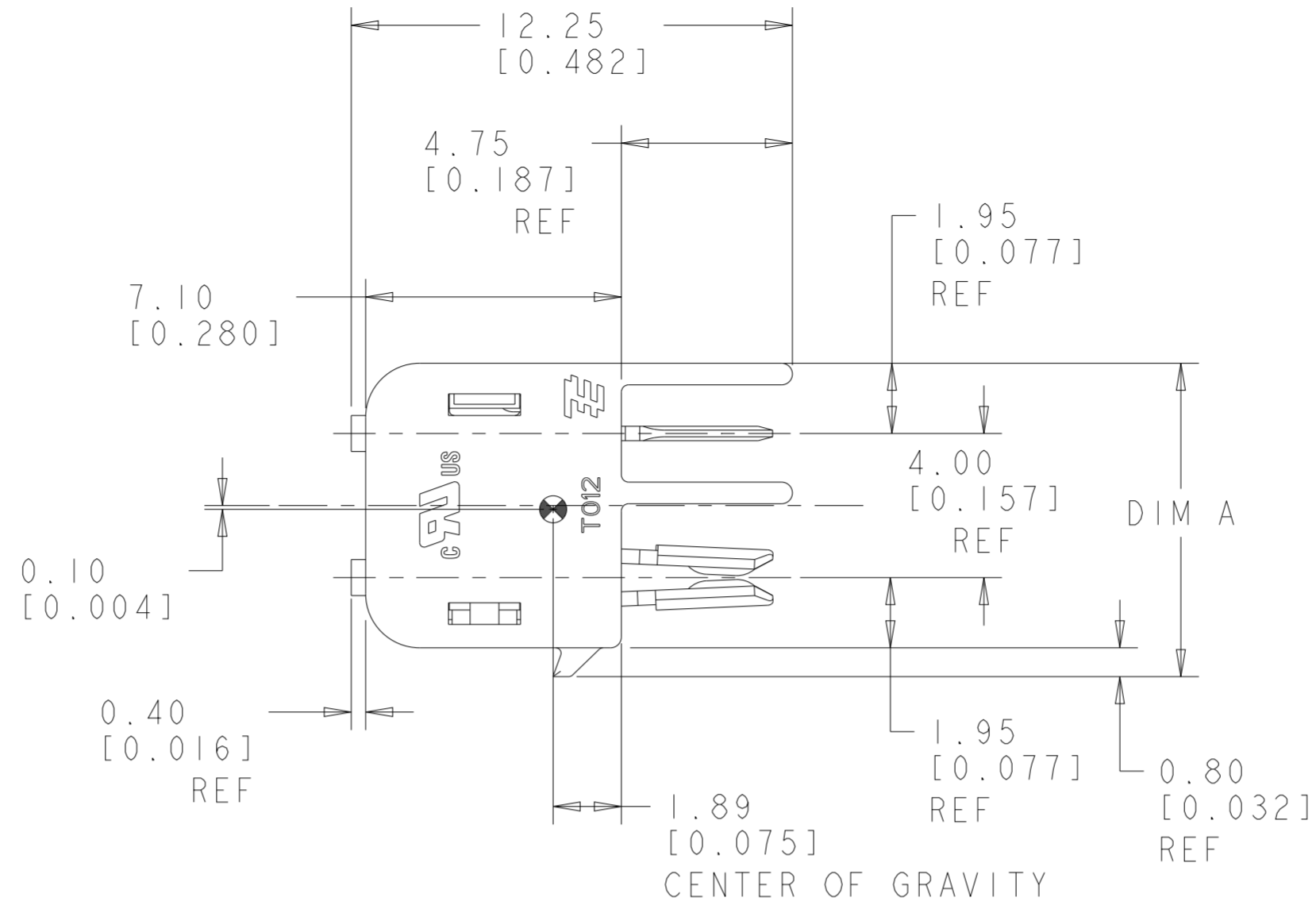


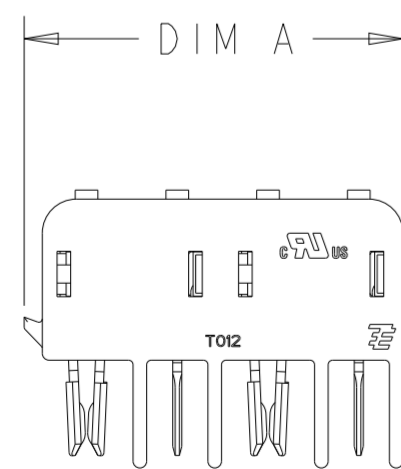
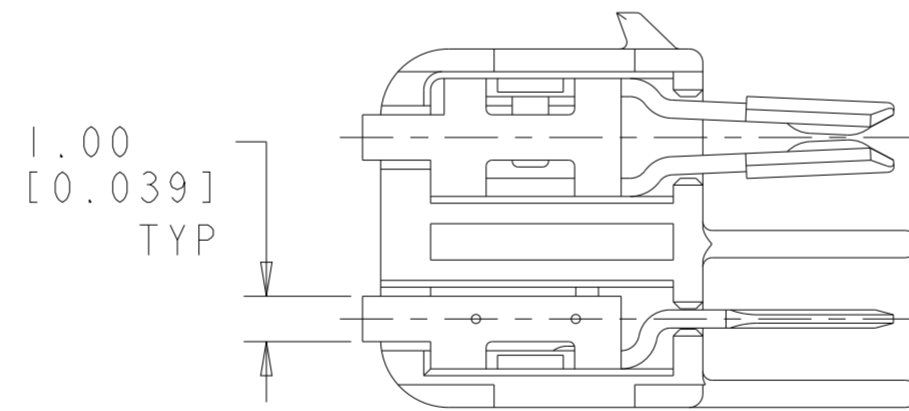
P	LTR	DESCRIPTION	DATE	DWN	APVD
A		REVISED PER ECR-14-005938	24APR2014	RS	DD
AI		REVISED PER ECR-21-003760	13APR2021	SR	JL

NOTES:

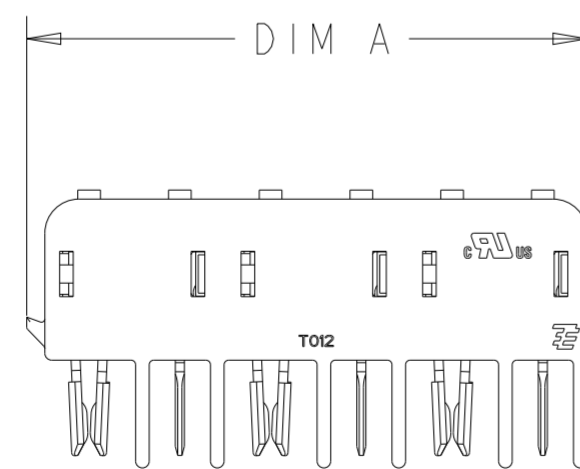
- 1. MATERIALS AND FINISH
  - HOUSING: LCP
  - CONTACTS: COPPER ALLOY, FINISH: GOLD
- 2. PRODUCT TO COMPLY WITH DIRECTIVE 2002/95/EC (ROHS)
- 3. PACKAGED IN TAPE AND REEL PER EIA-481 SPECIFICATIONS



2213288-1/  
1-2213288-1  
SHOWN



2213288-2/  
1-2213288-2  
SCALE 3:1



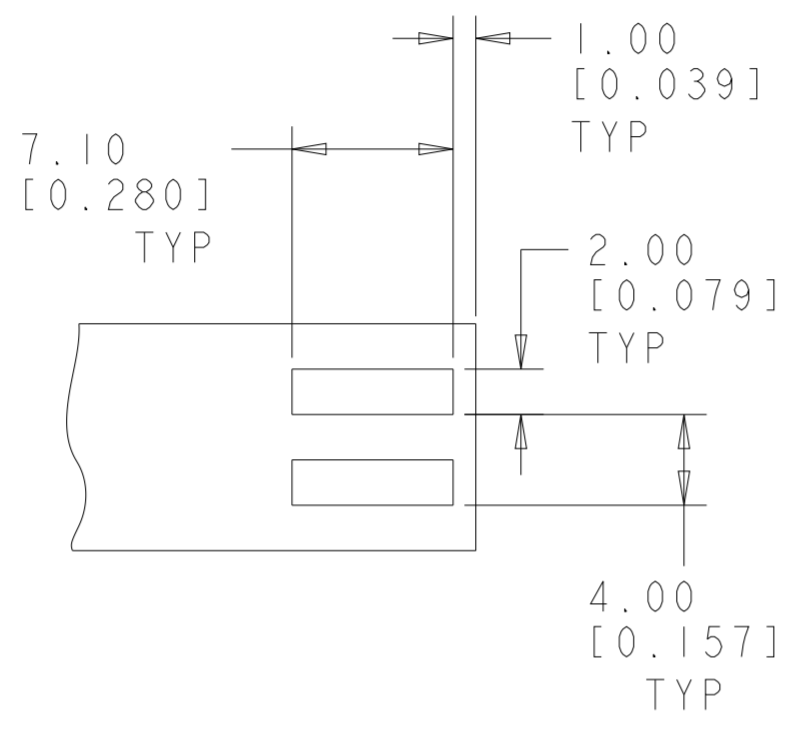
2213288-3/  
1-2213288-3  
SCALE 3:1

OBSOLETE

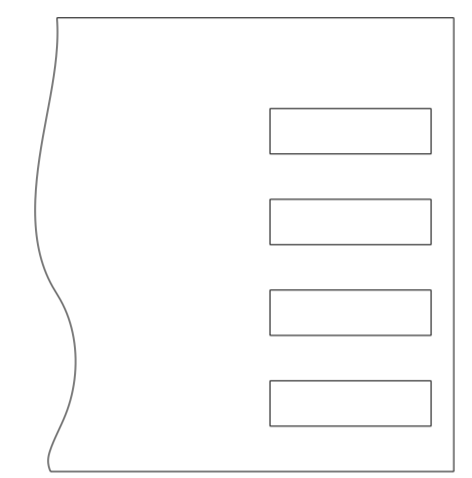
POSITION	COLOR	DIM A	PART NO.
6	BLACK	24.70	1-2213288-3
4	BLACK	16.70	1-2213288-2
2	BLACK	8.70	1-2213288-1
6	NATURAL	24.70	2213288-3
4	NATURAL	16.70	2213288-2
2	NATURAL	8.70	2213288-1

THIS DRAWING IS A CONTROLLED DOCUMENT.		DWN RAVLS 09APR2013	TE Connectivity	
		CHK D. DECKER 09APR2013		
		APVD D. DECKER 09APR2013	NAME CONNECTOR ASSEMBLY, HERMAPHRODITIC BLADE AND RECEPTACLE, WITH LATCH	
DIMENSIONS: mm		PRODUCT SPEC 108-2342	SIZE CAGE CODE DRAWING NO RESTRICTED TO	
TOLERANCES UNLESS OTHERWISE SPECIFIED:		APPLICATION SPEC 114-13225	A200779 C-2213288	
MATERIAL		WEIGHT -	SCALE 6:1 SHEET 1 OF 2 REV AI	
<p>0 PLC ±</p> <p>1 PLC ±</p> <p>2 PLC ±0.13</p> <p>3 PLC ±0.013</p> <p>4 PLC ±</p> <p>ANGLES ±1°</p> <p>FINISH</p>		CUSTOMER DRAWING		

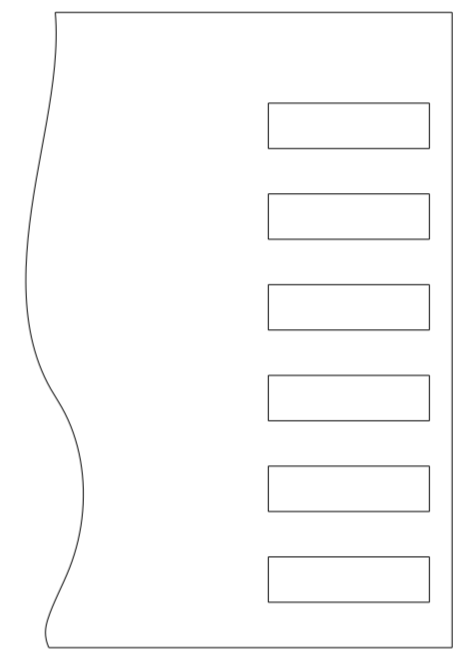
REVISIONS					
P	LTR	DESCRIPTION	DATE	DWN	APVD
-		SEE SHEET 1	-	-	-



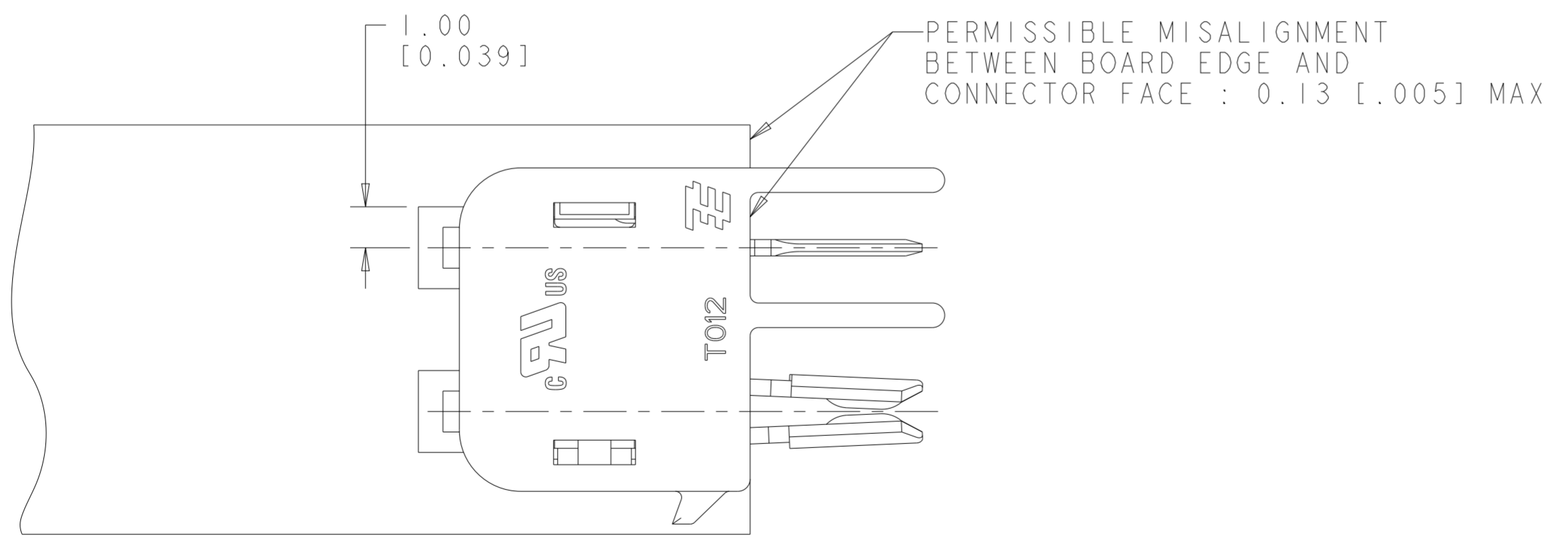
RECOMMENDED PCB LAYOUT FOR 2213288-1 & 1-2213288-1



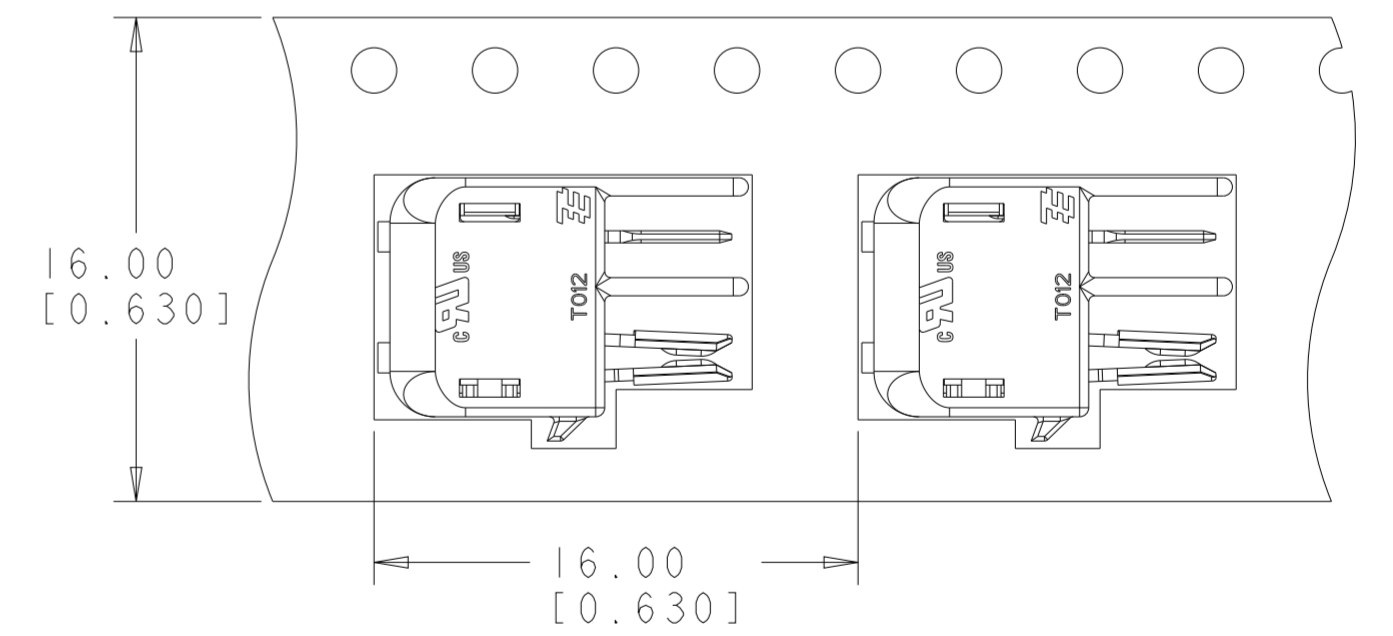
RECOMMENDED PCB LAYOUT FOR 2213288-2 & 1-2213288-2




RECOMMENDED PCB LAYOUT FOR 2213288-3 & 1-2213288-3



SCALE 8:1



TO BE PACKAGED AS SHOWN SCALE 4:1

THIS DRAWING IS A CONTROLLED DOCUMENT.		DWN RAVLS 09APR2013	 TE Connectivity		
DIMENSIONS: mm		CHK D. DECKER 09APR2013			
TOLERANCES UNLESS OTHERWISE SPECIFIED:		APVD D. DECKER 09APR2013	NAME CONNECTOR ASSEMBLY, HERMAPHRODITIC BLADE AND RECEPTACLE, WITH LATCH		
0 PLC ± 1 PLC ± 2 PLC ±0.13 3 PLC ±0.013 4 PLC ± ANGLES ±1°		PRODUCT SPEC 108-2342	SIZE A200779		
MATERIAL		APPLICATION SPEC 114-13225	DRAWING NO C-2213288		
FINISH		WEIGHT -	RESTRICTED TO		
		CUSTOMER DRAWING	SCALE 6:1 SHEET 2 OF 2 REV A1		