

NOTES:

1. MATERIALS:
HOUSING - LIQUID CRYSTAL POLYMER (LCP),
GLASS-FILLED, UL 94V-0, COLOR: BLACK
SIGNAL PIN - COPPER ALLOY
2. FINISHES:
CONTACT AREA: SELECTIVE GOLD (Au)
PCB TAILS: SELECTIVE MATTE TIN (Sn)
NICKEL (Ni) OVERALL.
3. THIS PART CONFORMS TO MOLEX PRODUCT SPECIFICATION PS-74031-999
4. FOR MIXED CONTACT LENGTHS CONSULT MOLEX FOR AVAILABILITY
5. FOR SPECIFIC MATERIAL NUMBERS & MATING INFORMATION REFER TO SHEET 2
6. PACKAGE PER PK-74058-003
7. MARK PART WITH PART NUMBER & DATE CODE APPROXIMATELY WHERE SHOWN
8. MAPS (MOLEX ADVANCED PLATING SYSTEM).

THE PRIMARY CARTON WITH A LABEL STATING "ELV AND RoHS COMPLAINT" IS LEAD FREE. CARTONS WITHOUT THIS LABEL MAY CONTAIN LEAD.

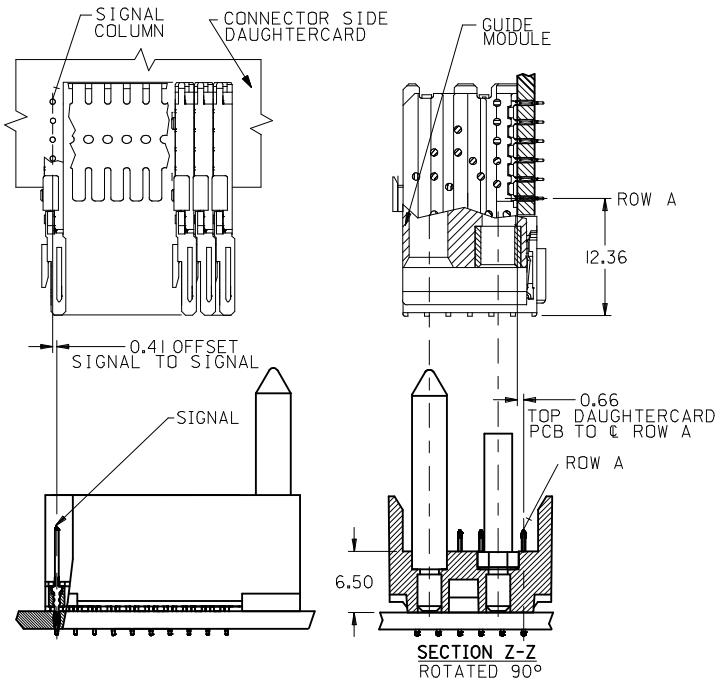
LEAD FREE CONVERSION EC NO: UCP2013-0687 DRAWINGS: 2012/08/22 CHKD:MMOLFE 2012/11/26 APPR:SMILLER 2012/12/14 REV:	QUALITY SYMBOLS	GENERAL TOLERANCES (UNLESS SPECIFIED)		DIMENSION STYLE MM ONLY		SCALE 2.5:1	DESIGN UNITS METRIC	THIRD ANGLE PROJECTION	
	▽=0	mm	INCH	DRAWN BY JMELTON	DATE 2010/05/19	TITLE VHDM LITE 6 ROW SHIELD END BACKPLANE SALES ASSEMBLY			
	▽=0	4 PLACES ±	±	CHECKED BY	DATE	DOCUMENT NO. SD-75196-001			
	▽=0	3 PLACES ±	±	SDANNELLEY	2010/05/19	SHEET NO. 1 OF 2			
		2 PLACES ±	±	APPROVED BY	DATE	SIZE SEE SHEET 2			
		1 PLACE ±	±	SMILLER	2010/07/14	MATERIAL NO.			
		0 PLACE ±	±	ANGULAR ±1/2°			THIS DRAWING CONTAINS INFORMATION THAT IS PROPRIETARY TO MOLEX INCORPORATED AND SHOULD NOT BE USED WITHOUT WRITTEN PERMISSION		
		DRAFT WHERE APPLICABLE MUST REMAIN WITHIN DIMENSIONS							

M/N 75196-()	---0*	---1*	---2*	---3*	---4*	---5*	---6*	---7*	---8*
KEYING PIN ORIENTATION	O	A	B	C	D	E	F	G	H

75196 - * * * *

CONTACT LOAD
(PIN HEIGHT)
1 & 6 = 4.75
2 & 7 = 6.25
3 & 8 = 4.25
4 & 9 = 5.15

NUMBER OF COLUMNS/PLATING
10 = 10 COLUMN MATTE TIN (FORMERLY TIN/LEAD)
25 = 25 COLUMN MATTE TIN (FORMERLY TIN/LEAD)
60 = 10 COLUMN MATTE TIN (MAPS)
75 = 25 COLUMN MATTE TIN (MAPS)
90 = 10 COLUMN MATTE TIN
85 = 25 COLUMN MATTE TIN



PART NUMBER	COLUMN	NUMBER OF SIGNAL PIN	NUMBER OF SHIELD	A	B	M	GOLD THICKNESS MICROMETER	TIN THICKNESS MICROMETER
75196-60*1	10	60	0	27.00	18.00	4.75	0.25 MAPS	0.76-152
75196-*0*1							0.76	
75196-75*1	25	150	0	57.00	48.00	6.25	0.25 MAPS	
75196-*5*1							0.76	
75196-60*2	10	60	0	27.00	18.00	4.25	0.25 MAPS	
75196-*0*2							0.76	
75196-75*2	25	150	0	57.00	48.00	5.15	0.25 MAPS	
75196-*5*2							0.76	
75196-60*3	10	60	0	27.00	18.00	4.75	0.25 MAPS	
75196-*0*3							0.76	
75196-75*3	25	150	0	57.00	48.00	6.25	0.25 MAPS	
75196-*5*3							0.76	
75196-60*4	10	60	0	27.00	18.00	5.15	0.25 MAPS	
75196-*0*4							0.76	
75196-75*4	25	150	0	57.00	48.00	4.75	0.25 MAPS	
75196-*5*4							0.76	

SEE SHEET 1 EC NO: UCP2013-0687 DRAWINGS: 2012/08/22 CHKD: MWOLF 2012/11/26 APPR: MILLER 2012/12/14 REV:	QUALITY SYMBOLS	GENERAL TOLERANCES (UNLESS SPECIFIED)	DIMENSION STYLE MM ONLY	SCALE 2.5:1	DESIGN UNITS METRIC	THIRD ANGLE PROJECTION
	▽=0	mm INCH	DRAWN BY JMELTON	DATE 2010/05/19	VHDM LITE 6 ROW SHIELD END BACKPLANE SALES ASSEMBLY molex DOCUMENT NO. SD-75196-001 SHEET NO. 2 OF 2	
	▽=0	4 PLACES ± --- ± ---	CHECKED BY SDANNELLEY	DATE 2010/05/19		
	▽=0	3 PLACES ± --- ± ---	APPROVED BY SMILLER	DATE 2010/07/14		
	▽=0	2 PLACES ± --- ± ---	MATERIAL NO.			
▽=0	1 PLACE ± --- ± ---	SEE TABLE				
		0 PLACE ± ±	DRAFT WHERE APPLICABLE MUST REMAIN WITHIN DIMENSIONS			