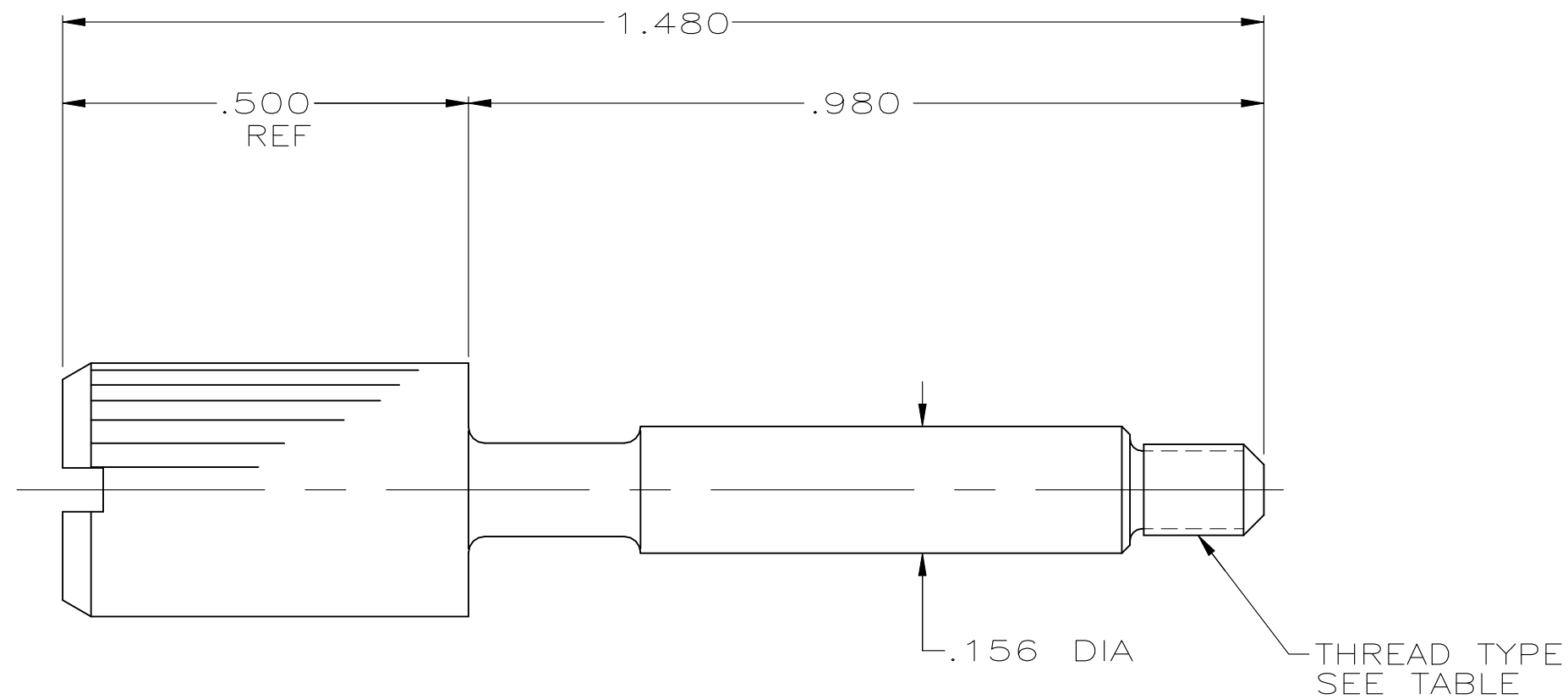
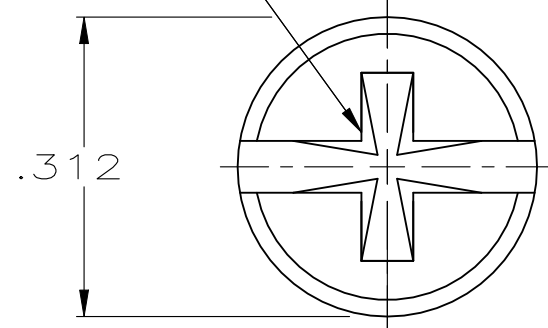


REVISIONS				
P	LTR	DESCRIPTION	DATE	APVD
R1		ECR-21-103102	10APR2021	RR SZ

#2 PHILIPS COMBO
.071 MIN
PENETRATION



- 1 C 1022 CARBON STEEL.
- 2 COAT WITH BLACK ZINC FLAKE, BLACK TOPCOAT TO ACHIEVE THE DEEP BLACK COLOR

OBSOLETE	M2.6 X 0.45	748627-8
OBSOLETE	M3 X 0.5	748627-4
	#4-40	748627-2
	THREAD TYPE	PART NUMBER

THIS DRAWING IS A CONTROLLED DOCUMENT.		DWN	B. MCMASTER	26FEB04
DIMENSIONS: INCHES		CHK	C. ROHDE	26FEB04
TOLERANCES UNLESS OTHERWISE SPECIFIED:		APVD	M. WALMSLEY	26FEB04
0 PLC ± -		PRODUCT SPEC	NAME	
1 PLC ± -		APPLICATION SPEC	JACKSCREW, LARGE HEAD, SHIELDING ENCLOSURE, AMPLIMITE	
2 PLC ± -		WEIGHT	SIZE	A2
3 PLC ± .005		SCALE	CAGE CODE	00779
4 PLC ± -		CUSTOMER DRAWING	DRAWING NO	C=748627
ANGLES ± -		SCALE	5:1	SHEET 1 OF 1
FINISH		REV	R1	

748627