

5

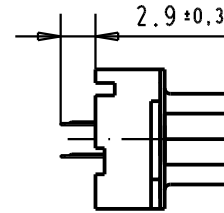
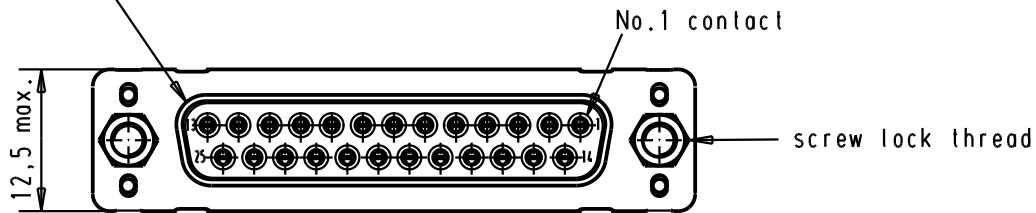
4

3

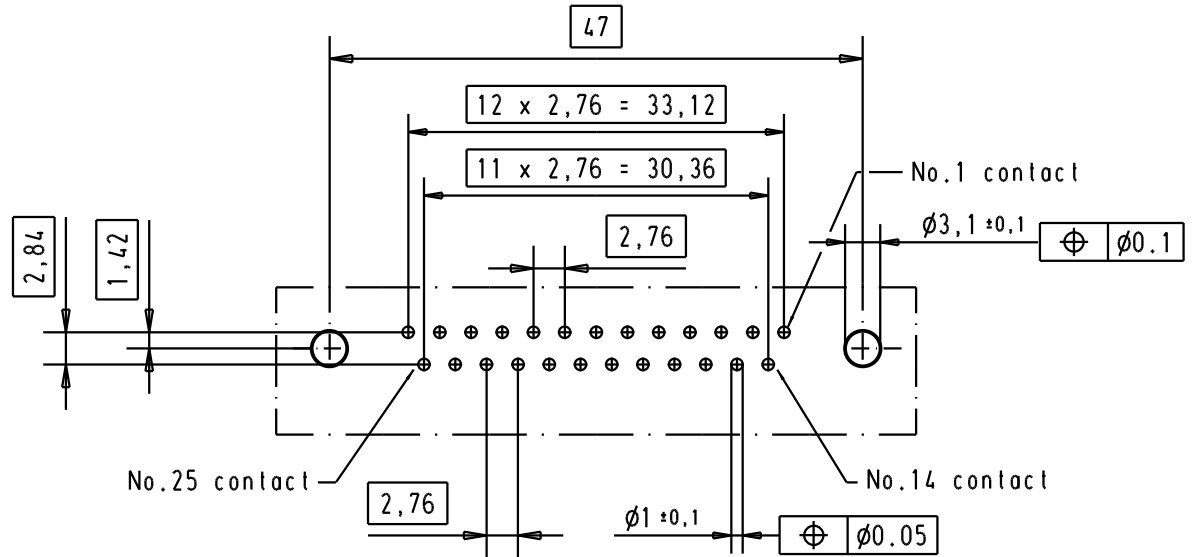
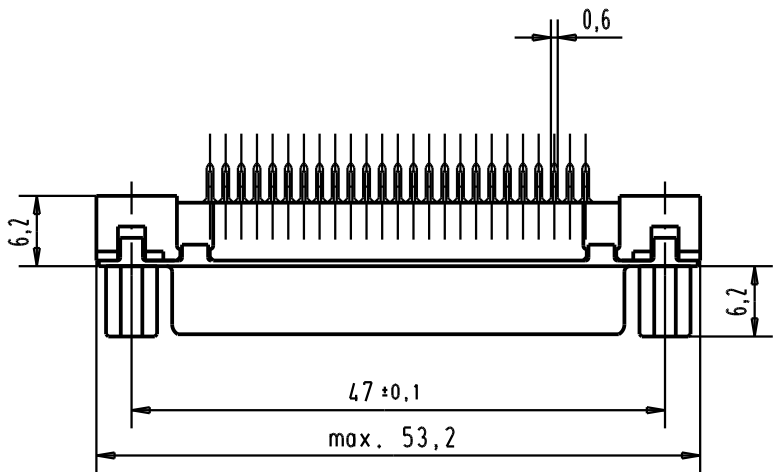
2

1



Mating face according to : MIL-C24308 / DIN 41652 / CECC 75301-802



Printed board layout component side



A

Part number	Screw lock thread	Performance level	Mod.	Dat.	Name	Dat.	Name	D-sub, High temperature, 25 poles, female, straight, with solder pins 2.9 and screw lock.		Moßstab/ Scale
09 66 315 3503	4-40 UNC	1				05/03/02	CV	 All Dim. in mm Orig. Size DIN A 4	1,5:1	
09 66 315 6503	4-40 UNC	2	31892	05/05/04	JH					
09 66 315 7503	4-40 UNC	3	29723	05/03/02	CV					
HARTING EURL F-95972 Paris								TB 09 66 315 x50x		Blatt/ Page 3 /