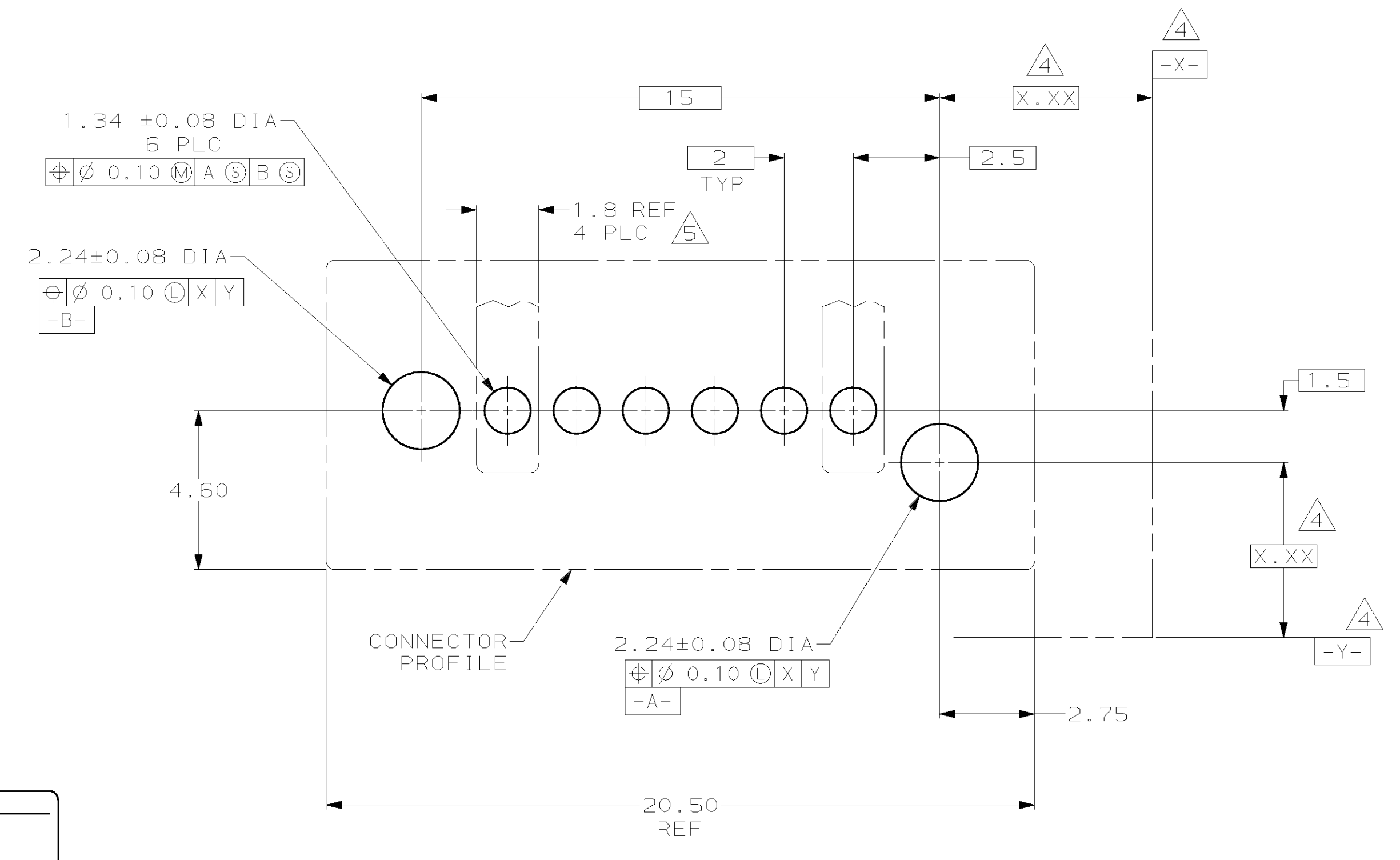
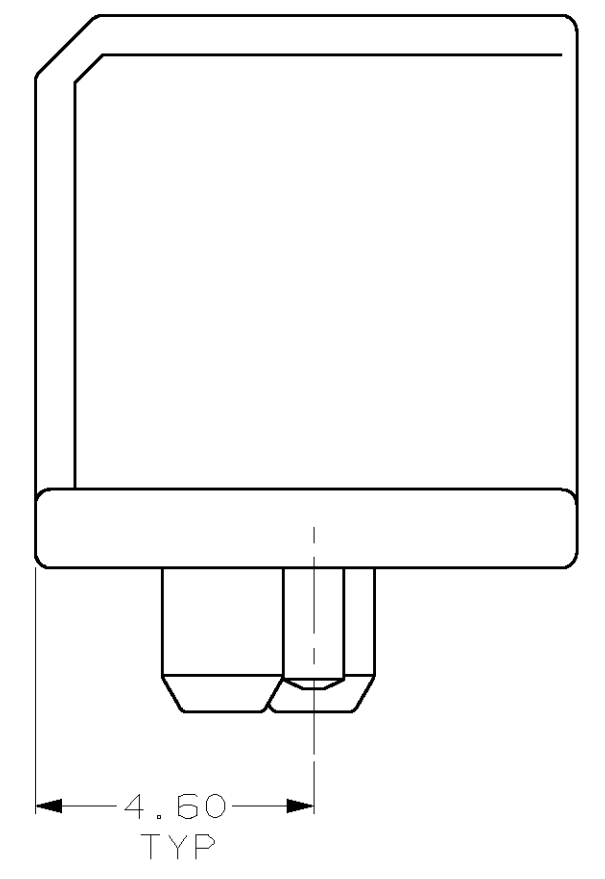
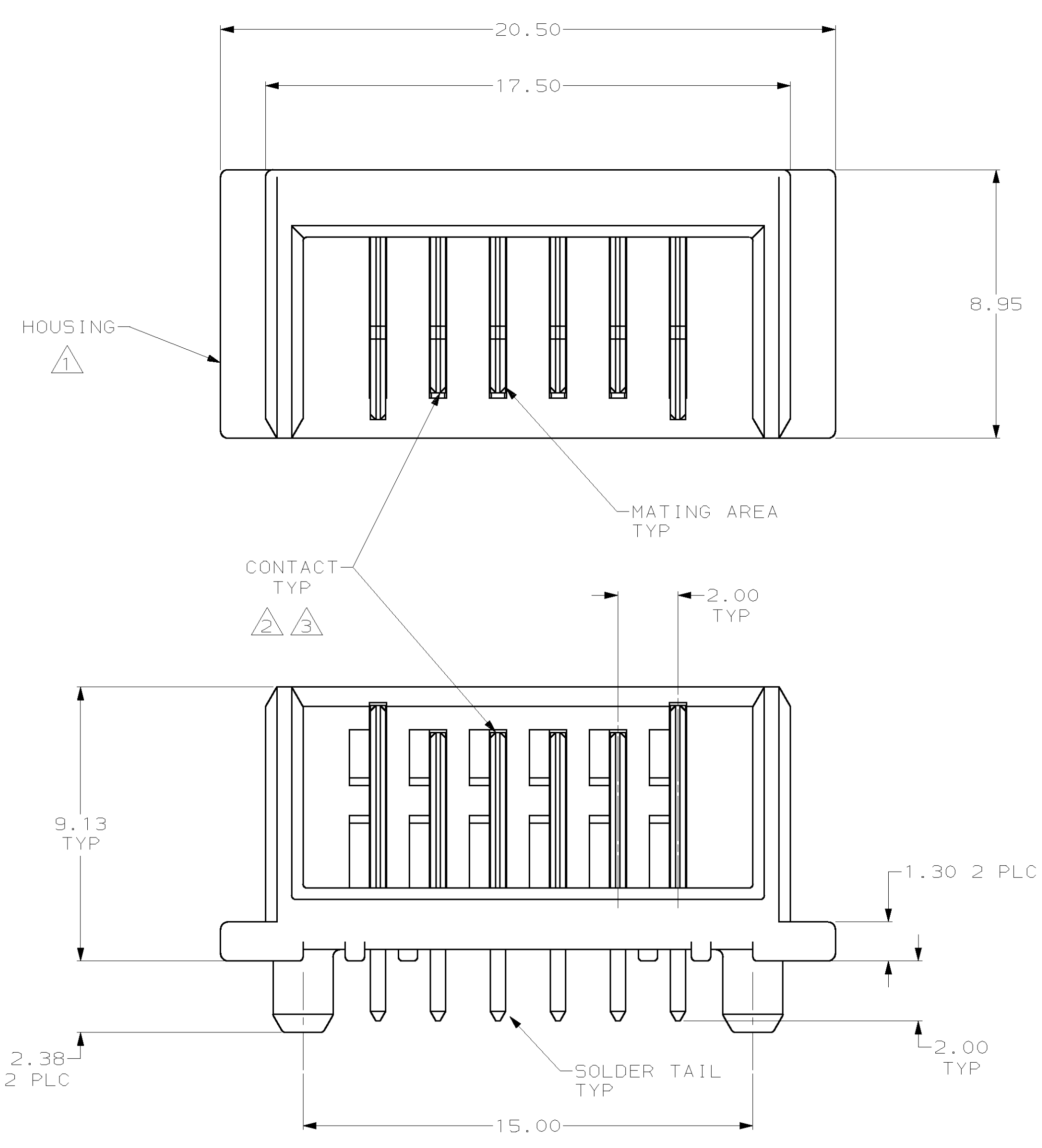


REV	DATE	BY	CHKD	APPV	DESCRIPTION
B	14 MAR 97	JR	CB		REV PER 0410-0189-96
C	29 MAR 99	CD	KD		REV PER EC 061C-0036-99
D	30 MAR 99	CD	KD		REV PER EC 061C-0056-99



P.C. BOARD MOUNTING DIMENSIONS

- 1 SPS, UL 94V-0 RATED, BLACK.
- 2 BRASS.
- 3 .076µm MINIMUM GOLD OVER 0.76µm MINIMUM PALLADIUM NICKEL ON MATING AREA, 3.80µm MINIMUM TIN-LEAD ON SOLDER TAIL, ALL OVER 1.27 µm MINIMUM NICKEL.
- 4 DATUMS AND DIMENSIONS ESTABLISHED BY CUSTOMER.
- 5 RECOMMENDED MINIMUM TRACE WIDTH FOR END POSITIONS WHEN CARRYING 3 AMPS: 1.8 WIDE x 55µm THICK, BOTH SIDES.

787531-1
PART NUMBER

<small>THIS DRAWING IS A CONTROLLED DOCUMENT AND IS UNPUBLISHED. IT IS SUBJECT TO CHANGE AND THE CONTROLLING ENGINEERING DEPARTMENT SHALL BE CONTACTED FOR THE LATEST REVISION.</small>		DWN: R.S.KLINE 07-05-95 CHK: R.S.KLINE 07-11-95 APPV: R.S.KLINE 07-11-95	AMP AMP Incorporated Harrisburg, PA 17105-3608
DIMENSIONS: mm 	TOLERANCES UNLESS OTHERWISE SPECIFIED: 0 PLC ±. 1 PLC ±. 2 PLC ±0.13 3 PLC ±. 4 PLC ±. ANGLES ±.	PRODUCT SPEC: APPLICATION SPEC: WEIGHT: - CUSTOMER DRAWING	HEADER ASSY, 6 POSN, SEQUENCED, MDI SIZE: A1 CAGE CODE: 00779 DRAWING NO: C=787531 SCALE: 8:1 SHEET: 1 OF 1 REV: D