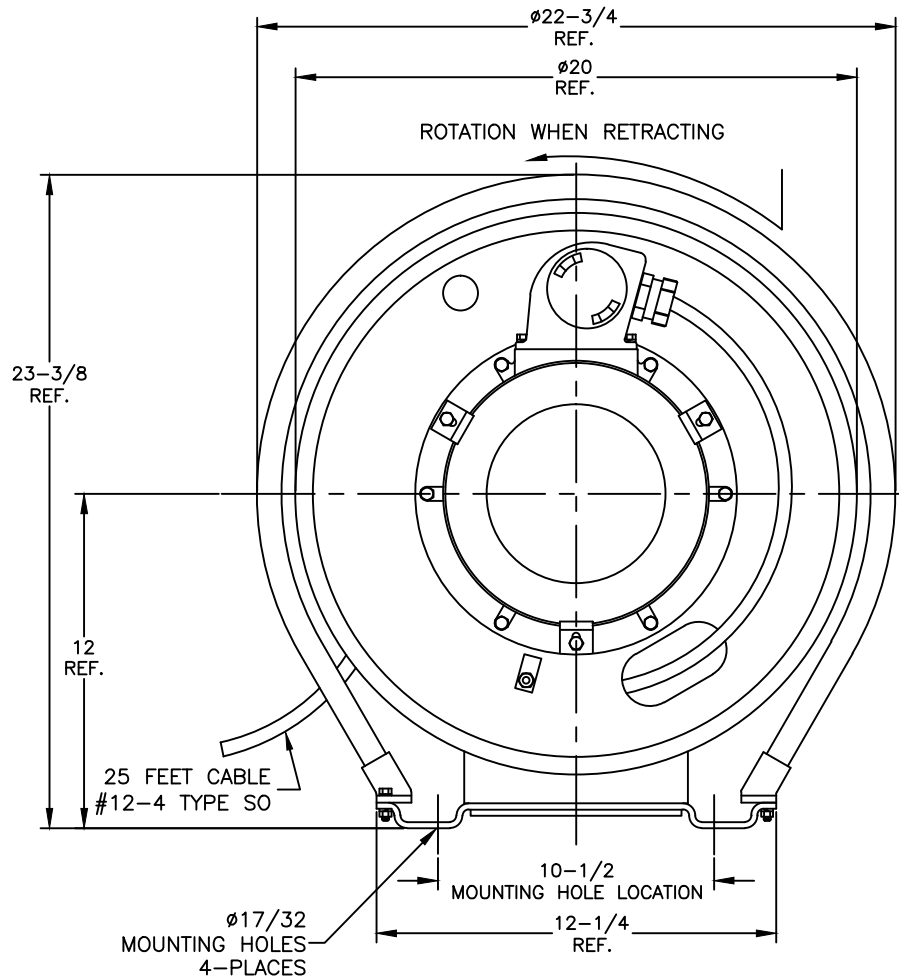
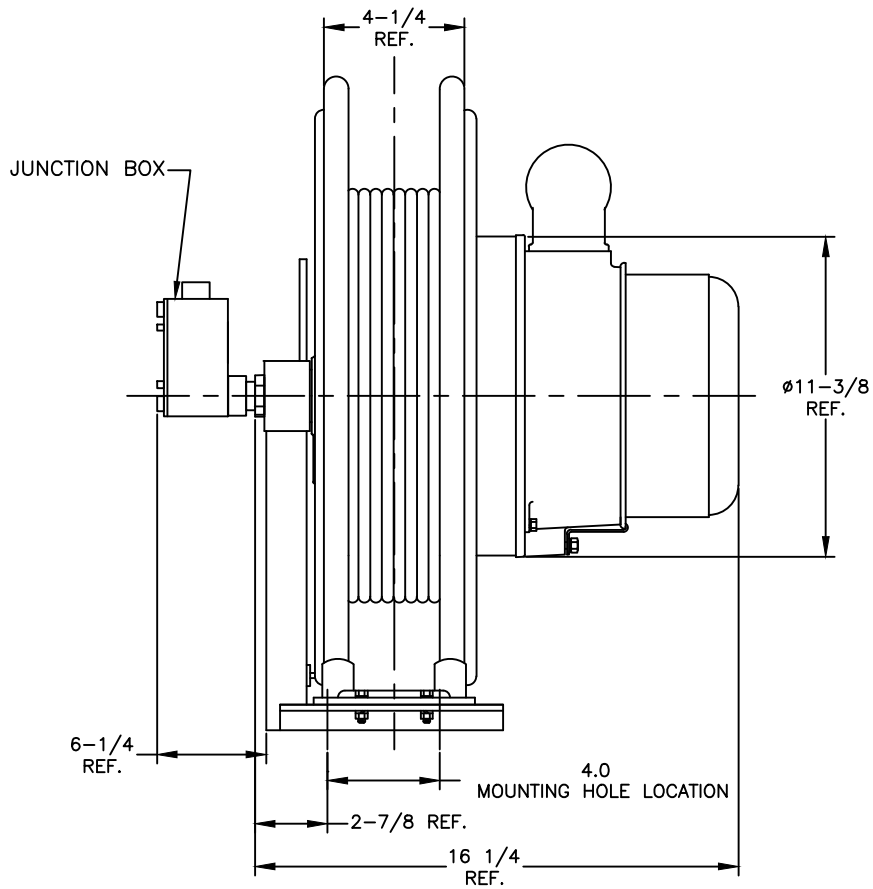


MATERIAL #	ENGINEERING #
1300851108	114210404XV0391



ELECTRICAL RATING: 16A, 600V

RELEASE SALES DWG EC NO: IPC2016-0680 DRWN: HRUIZ01 2015/11/03 CHKD: HKNEELAN 2015/11/03 APPR: JFMURPHY 2016/01/11	QUALITY SYMBOLS	GENERAL TOLERANCES (UNLESS SPECIFIED)	DIMENSION STYLE	SCALE	DESIGN UNITS	THIRD ANGLE PROJECTION															
	$\nabla=0$ $\nabla/C=0$	<table border="1"> <tr> <th></th> <th>mm</th> <th>INCH</th> </tr> <tr> <td>4 PLACES</td> <td>±---</td> <td>±---</td> </tr> <tr> <td>3 PLACES</td> <td>±---</td> <td>±.005</td> </tr> <tr> <td>2 PLACES</td> <td>±---</td> <td>±.010</td> </tr> <tr> <td>1 PLACE</td> <td>±---</td> <td>±.020</td> </tr> </table>		mm	INCH	4 PLACES	±---	±---	3 PLACES	±---	±.005	2 PLACES	±---	±.010	1 PLACE	±---	±.020	INCH	NTS	INCH	
		mm	INCH																		
	4 PLACES	±---	±---																		
3 PLACES	±---	±.005																			
2 PLACES	±---	±.010																			
1 PLACE	±---	±.020																			
DESCRIPTION	DRAWN BY DATE HRUIZ01 2015/11/03 CHECKED BY DATE HKNEELAN 2015/11/03 APPROVED BY DATE JFMURPHY 2016/01/11	TITLE	114210404X2 HAZARD DUTY CABLE REEL 25 FEET #12-4 SO CABLE																		
REV		ANGULAR ±1/2° DRAFT WHERE APPLICABLE MUST REMAIN WITHIN DIMENSIONS	MATERIAL NO. 1300851108 SIZE A	DOCUMENT NO. SD-130085-013	MOLEX INCORPORATED 	SHEET NO. 1 OF 1															

THIS DRAWING CONTAINS INFORMATION THAT IS PROPRIETARY TO MOLEX INCORPORATED AND SHOULD NOT BE USED WITHOUT WRITTEN PERMISSION