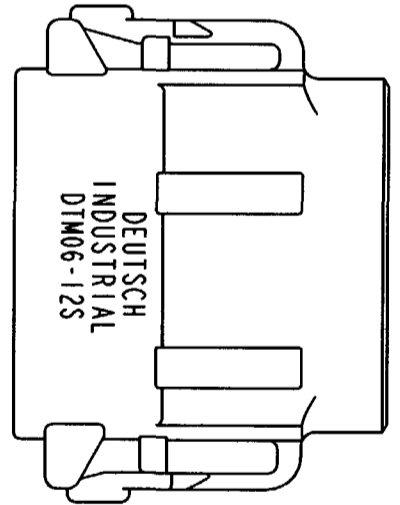
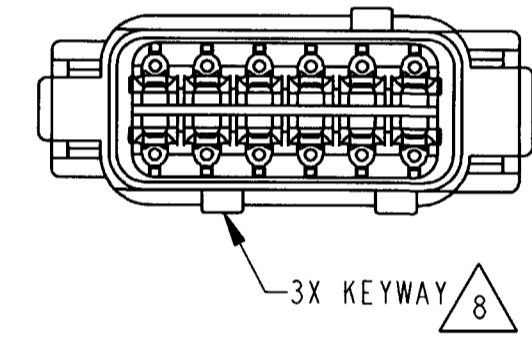
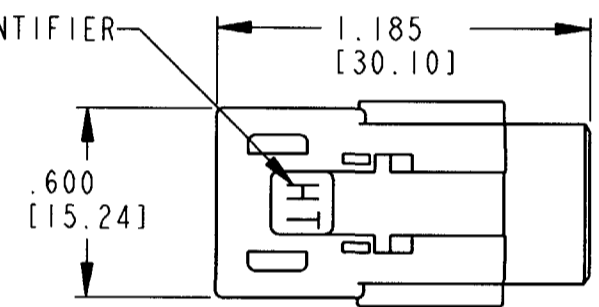
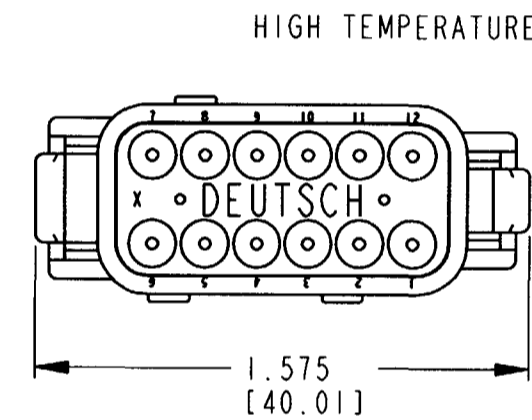
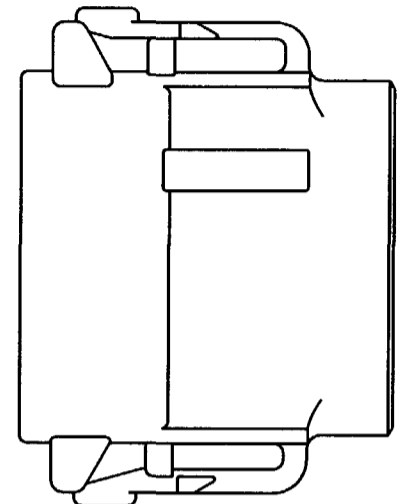


REV
A DTM06-12S*-EE04

REVISIONS			
SYM	DESCRIPTION	DATE	APPROVED
NC	NEW RELEASE PER E.O. P19500	8/22/07	RDR
A	REVISED PER E.O. P19776	4-7-08	RDR



- 8. SEE SHEET 2 FOR OTHER KEY ARRANGEMENTS.
 - 7. PART MODIFICATION: PLUG IS RATED AT 150°C (COLOR: BLACK).
 - 6. MATERIAL - HOUSING: PLASTIC; GROMMET: RUBBER.
 - 5. CONNECTOR DESIGNED TO BE USED WITH DTM04-12P*-**** RECEPTACLES. (*) = A,B,C,D KEYS, (****) = ALL HIGH TEMPERATURE MODIFICATIONS. CONSULT FACTORY FOR MODIFICATIONS.
 - 4. FOR CONTACT AND WIRE PERFORMANCE AND APPLICATION CHARACTERISTICS SEE ENVELOPE DRAWING 0425-015-0000.
 - 3. SECONDARY WEDGE LOCK SOLD SEPARATELY: WM-12S.
 - 2. DIMENSION TOLERANCE: ±.025 [.64].
 - 1. DIMENSIONS ARE IN INCHES [mm].
- NOTES: UNLESS OTHERWISE SPECIFIED

CONTACT SIZE	MIN. INSUL. O.D.	MAX. INSUL. O.D.	WIRE RANGE [mm ²] REF ONLY
20	.053 [1.35]	.120 [3.05]	16-22 AWG [1.0-0.5]

SIGNATURE & DATE	
DR	D. MEYER 05/02/07
CHK	<i>[Signature]</i> 4/10/08
PE	<i>[Signature]</i> 4/10/08
APPD	<i>[Signature]</i> 4/10/08
SCALE	NONE

PLUG
12 CONTACTS, SIZE 20
A,B,C,D KEYS
-EE04 MOD
DTM SERIES

ENVELOPE

EP 172 MATL CODE

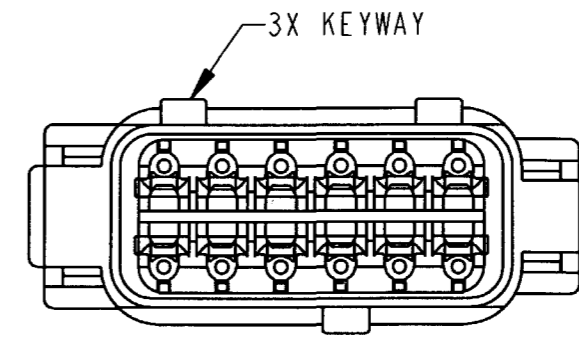
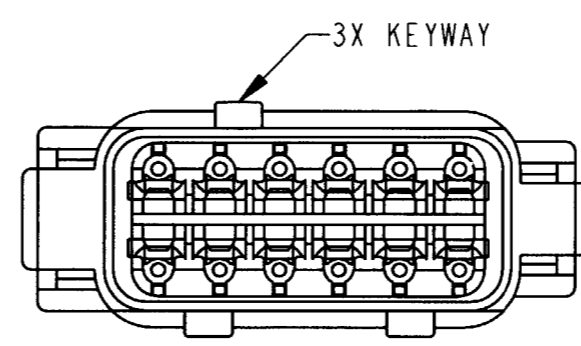
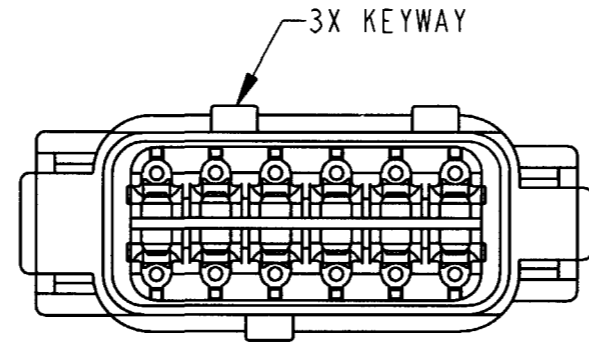
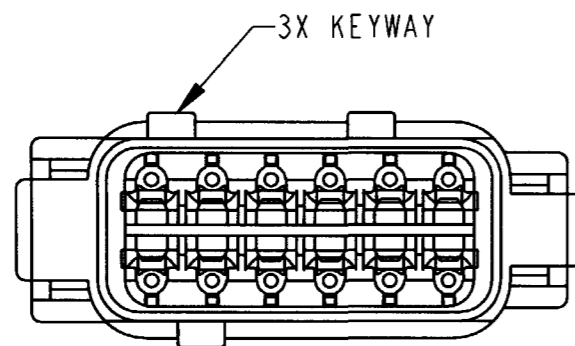
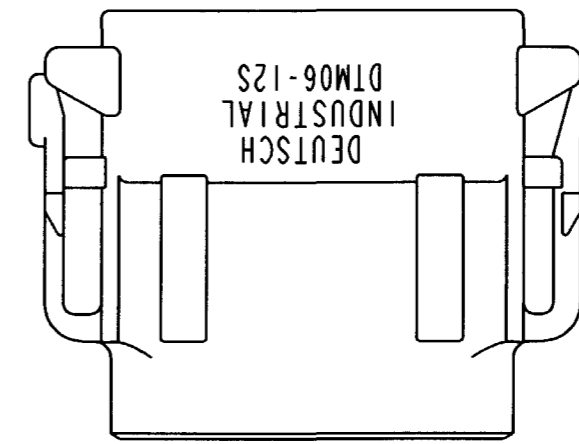
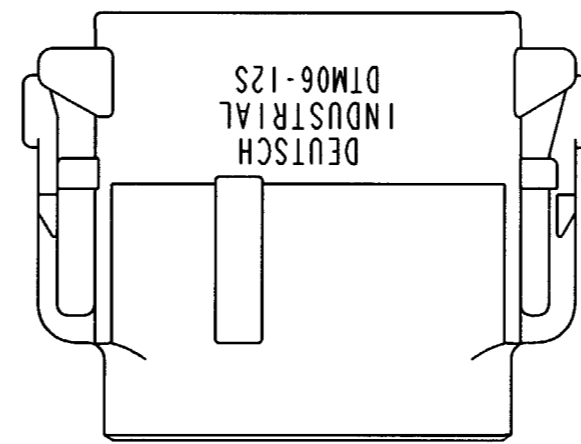
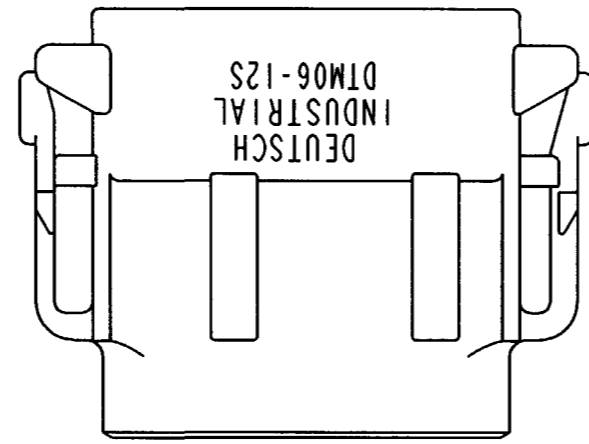
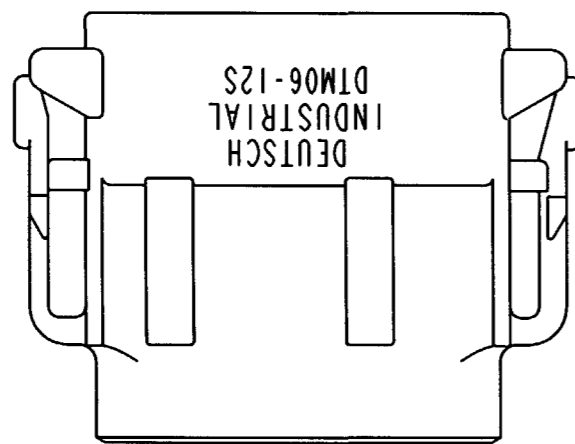
3850 INDUSTRIAL AVE.
HEMET, CA 92545

DEUTSCH
INDUSTRIAL

B DTM06-12S*-EE04

DWG SIZE 11139 CODE SHEET 1 OF 2

REV A	DTM06-12S*-EE04	REVISIONS			
		SYM	DESCRIPTION	DATE	APPROVED
		A	SEE SHEET 1	5/12/08	DM



DTM06-12SA-EE04
KEY -A-
COLOR: BLACK

DTM06-12SB-EE04
KEY -B-
COLOR: BLACK

DTM06-12SC-EE04
KEY -C-
COLOR: BLACK

DTM06-12SD-EE04
KEY -D-
COLOR: BLACK

NOTES:

SIGNATURE & DATE	
DR	D. MEYER 05/02/07
CHK	B. Graw 5/12/08
PE	Karla Linn 5/12/08
APPD	D. Meyer 5/12/08
SCALE	NONE

PLUG
12 CONTACTS, SIZE 20
A, B, C, D KEYS
-EE04 MOD
DTM SERIES

ENVELOPE

EP 172	MATL. CODE
3850 INDUSTRIAL AVE. HEMET, CA 92545	
B	DTM06-12S*-EE04
DWG SIZE	CODE 11139 SHEET 2 OF 2