

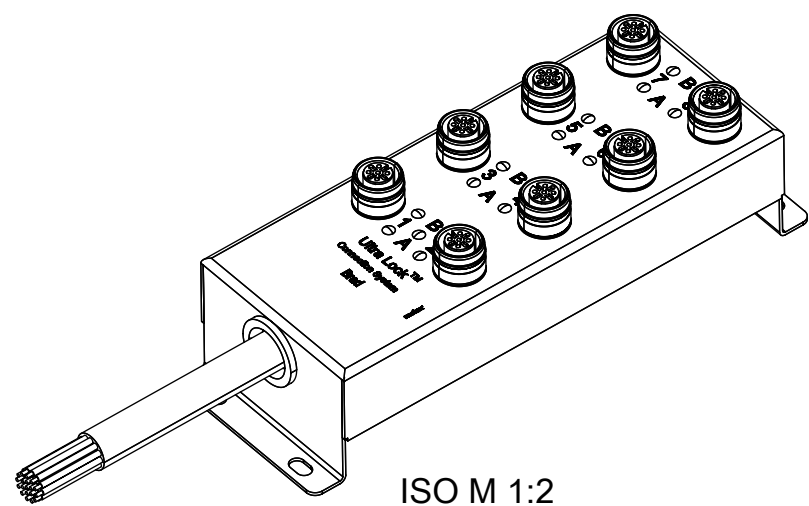
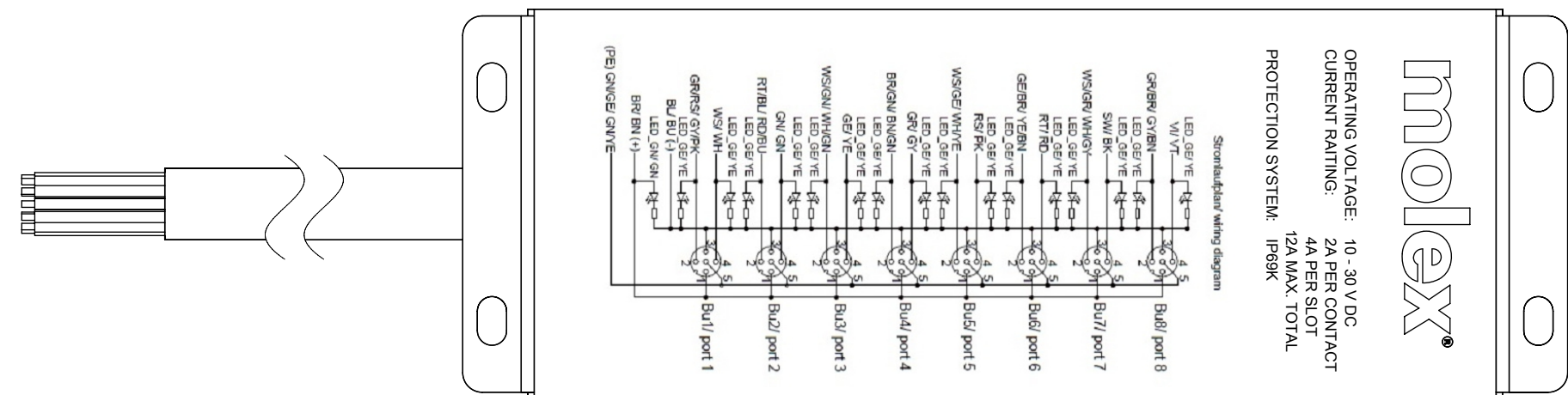
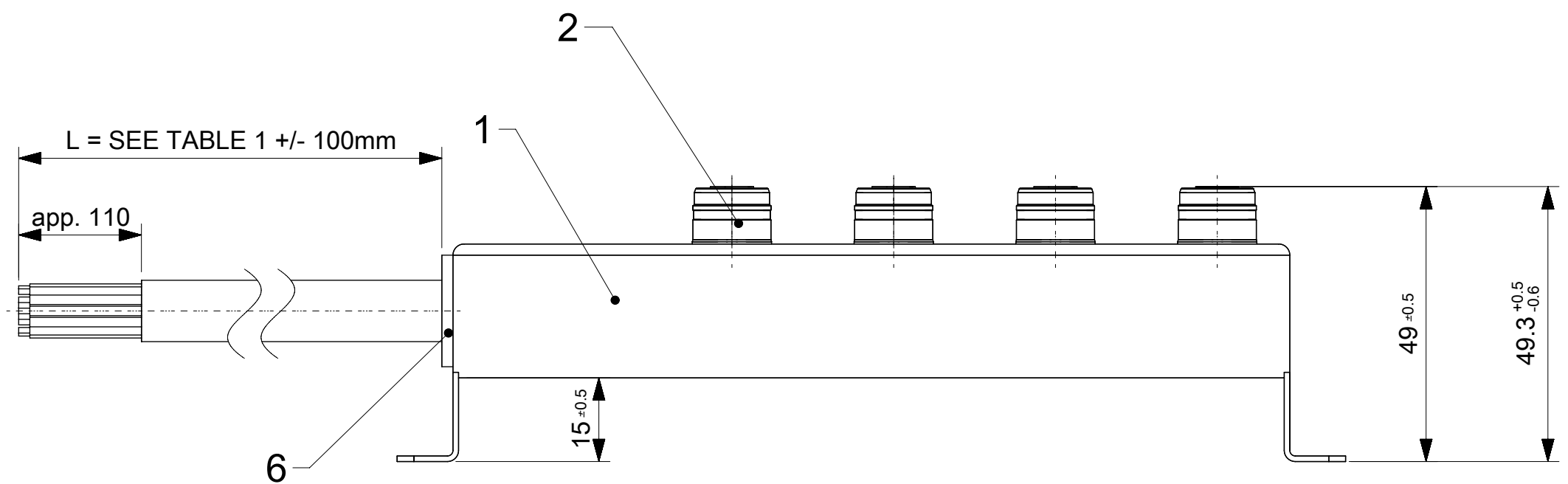
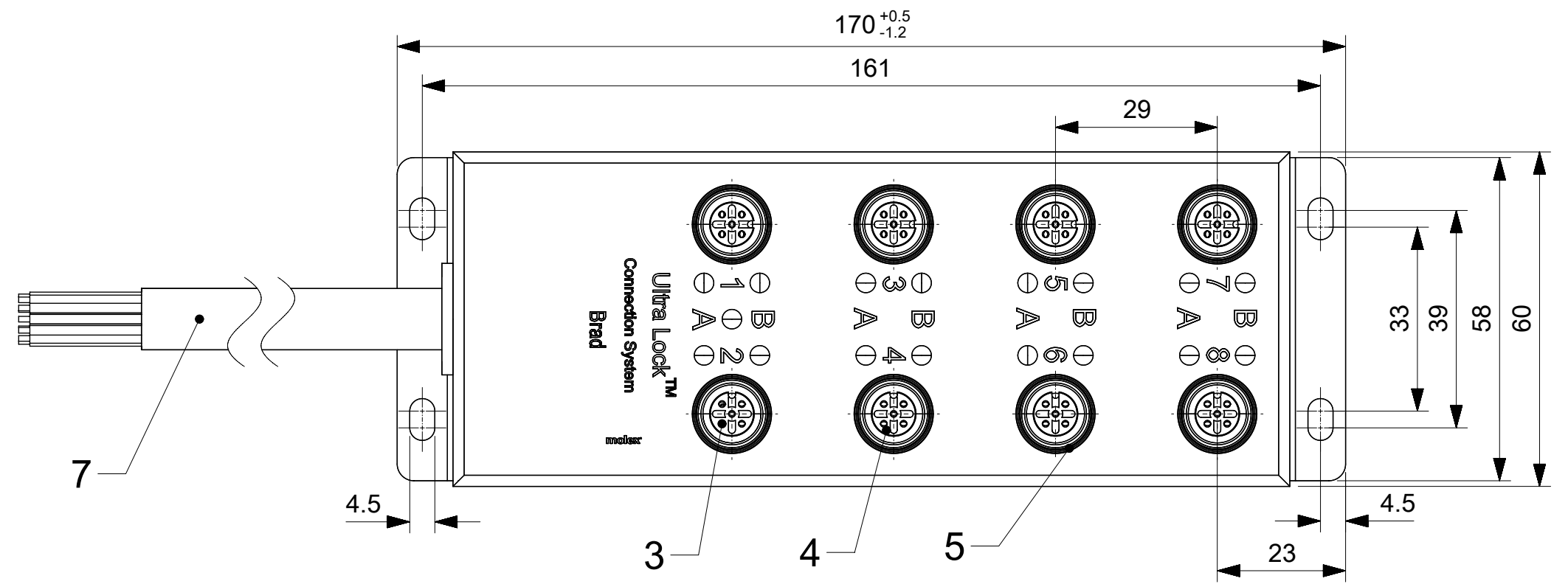
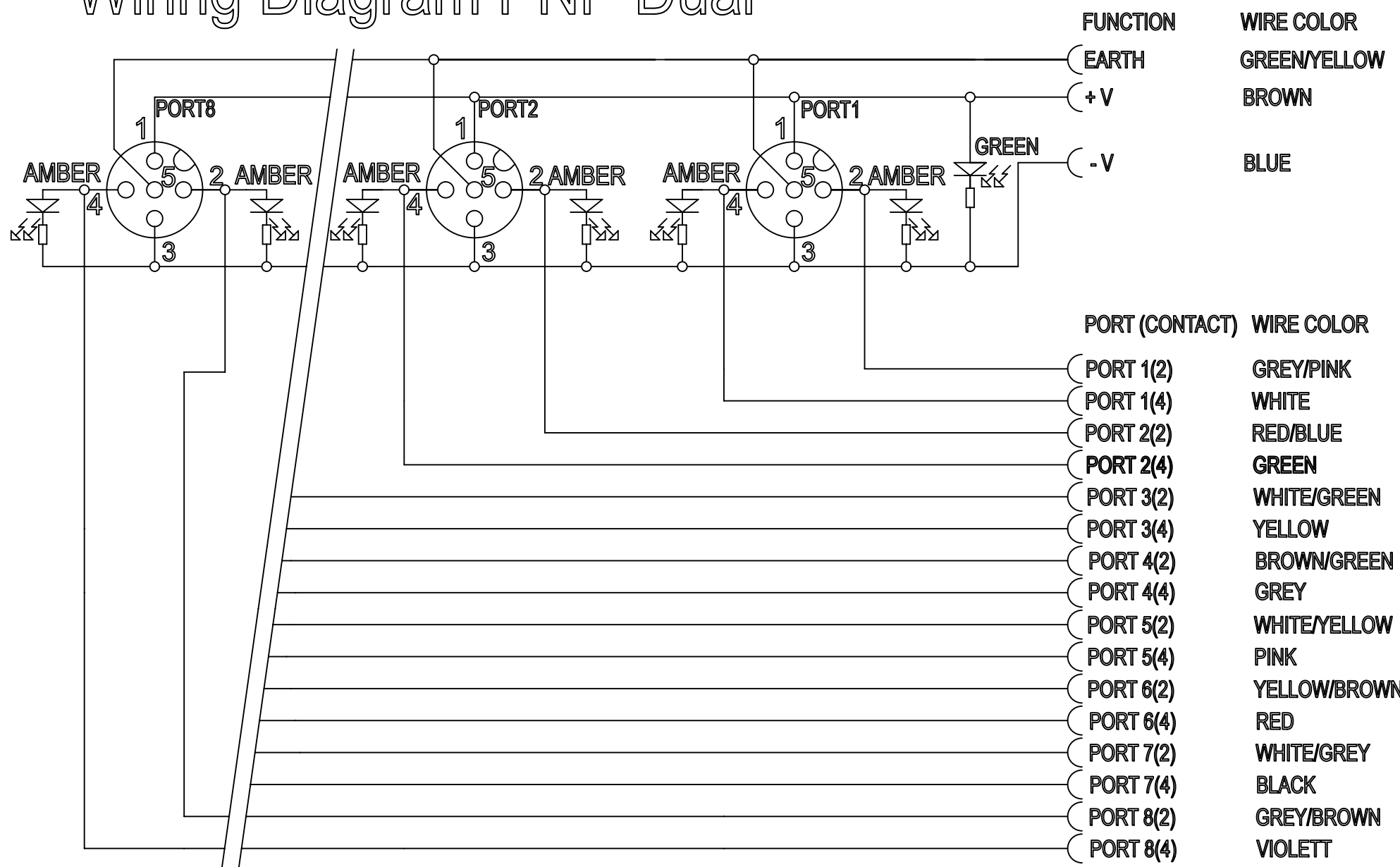
TABLE 1

MOLEX P/N	ENG. NO	CABLE LENGTH "L IN MM"
1201190042	BTS805P-FSE-05	5000
1201190043	BTS805P-FSE-10	10000
1201190046	BTS805P-FSE-15	15000

BILL OF MATERIAL

ITEM	QTY	DESCRIPTION	MATERIAL
7	2	CABLE	PVC
6	1	CABLE SLEEVE	PVC
5	8	O-RING	EPDM
4	8	INSERT	PBT
3	40	CONTACT	BRASS/Au over Ni
2	8	SHELL	STAINLESS STEEL
1	1	HOUSING	STAINLESS STEEL

Wiring Diagram PNP Dual



GENERAL CHARACTERISTICS:

NOMINAL VOLTAGE MAX: 10-30 V DC
 RATED CURRENT MAX: 4 A PER PORT / 12 A MAX. TOTAL
 IP DEGREE OF PROTECTION: IP 69k
 TEMPRATURE RANGE: -5°C TO +80°C

FUNCTIONAL SYMBOLS		THIS DRAWING CONTAINS INFORMATION THAT IS PROPRIETARY TO MOLEX ELECTRONIC TECHNOLOGIES, LLC AND SHOULD NOT BE USED WITHOUT WRITTEN PERMISSION		CURRENT REV DESC: CORRECT P/N	
$F_A = 0$	DIMENSION UNITS	mm	SCALE	1:1	<p>molex</p> <p>MPIS SS U12 PNP 5P 8PT AC FE STR PVC</p> <p>PRODUCT CUSTOMER DRAWING</p>
$F_C = 0$	GENERAL TOLERANCES (UNLESS SPECIFIED)		EC NO: 634601		
$F_P = 0$	ANGULAR TOL	±	°	DRWN: RSCHIEBER 2020/03/23	
DIVISIONAL SYMBOLS		4 PLACES	±	CHK'D: RSILLER 2020/03/24	
		3 PLACES	±	APPR: RSILLER 2020/03/24	
		2 PLACES	±	INITIAL REVISION:	
		1 PLACE	±	DRWN: ULETTENMEIER 2016/11/30	
		0 PLACES	±	APPR: RSILLER 2016/12/02	
DRAFT WHERE APPLICABLE MUST REMAIN WITHIN DIMENSIONS		THIRD ANGLE PROJECTION	DRAWING	SERIES	DOCUMENT NUMBER
			A2-SIZE	120119	1201190042
			SEE TABLE 1	CUSTOMER	DOC TYPE
			GENERAL MARKET		PSD
					DOC PART
					000
					REVISION
					C1
					SHEET NUMBER
					1 OF 1