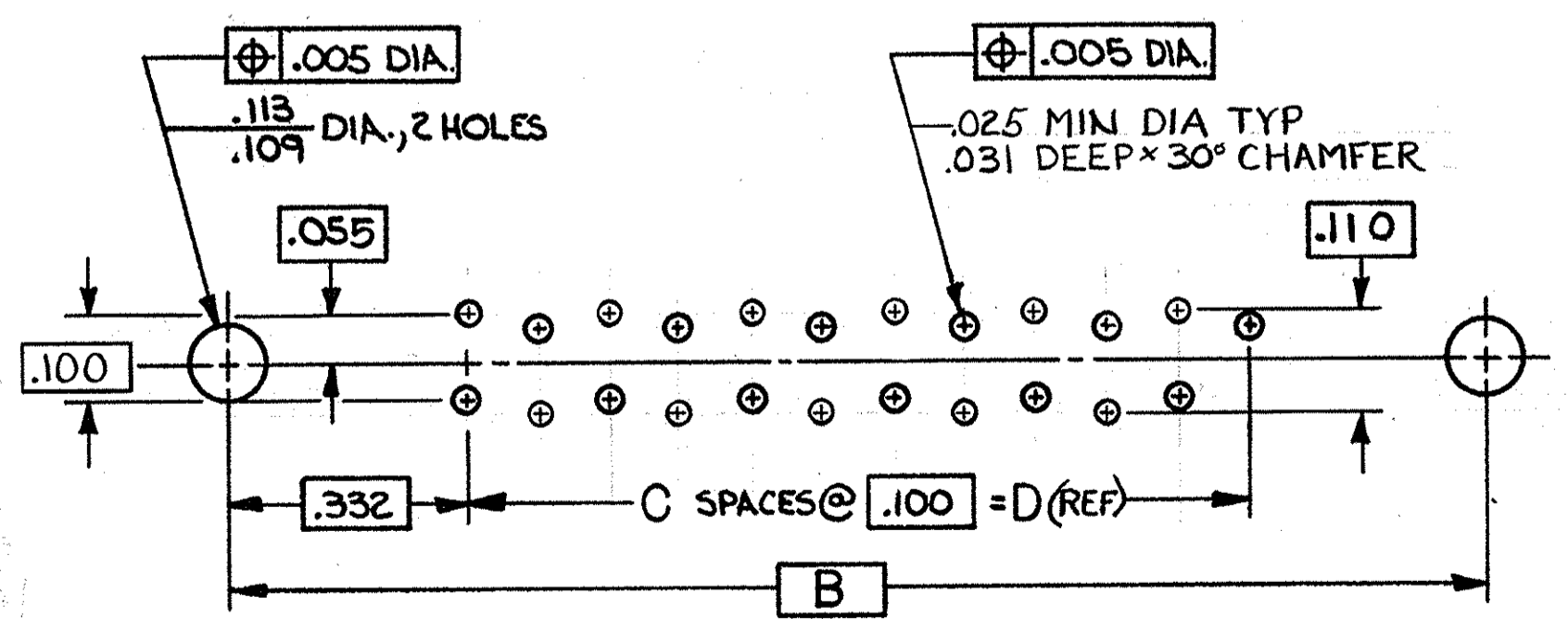
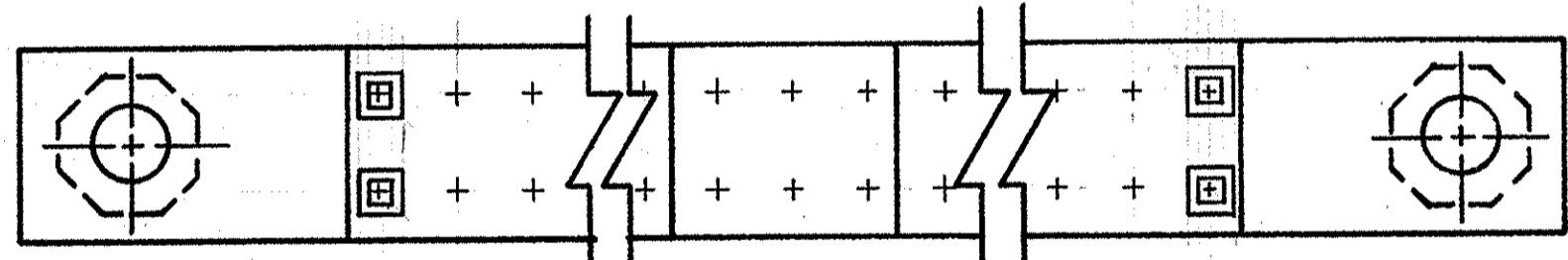
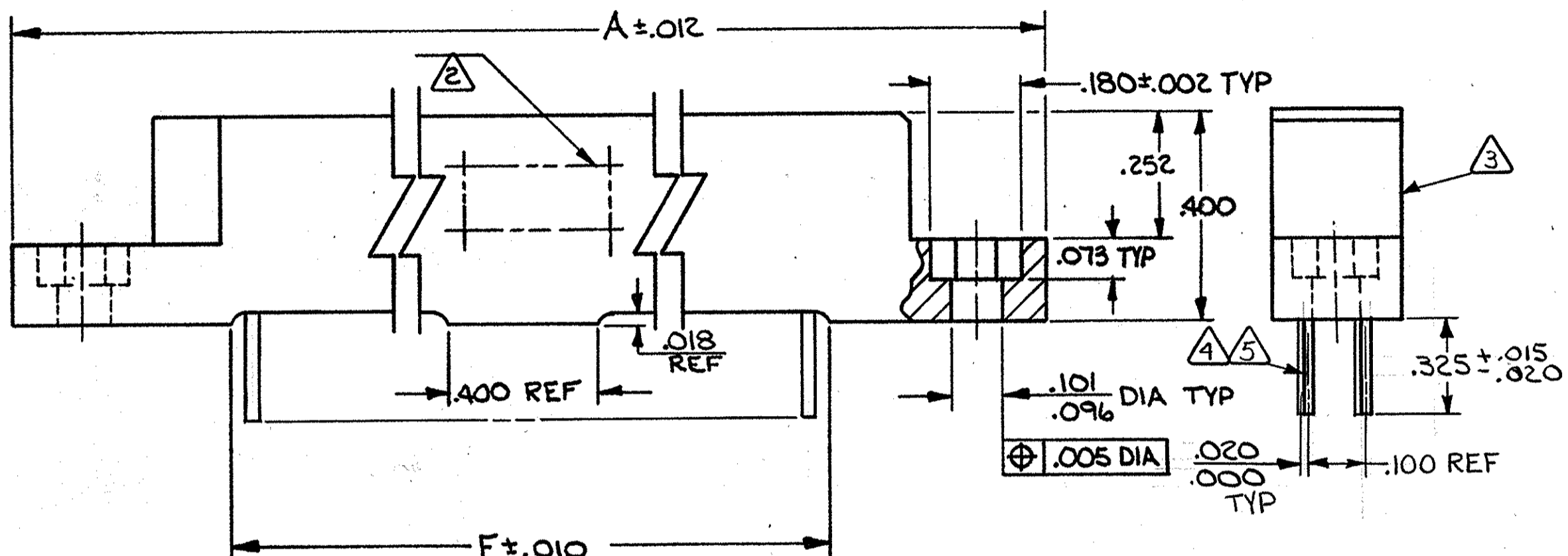
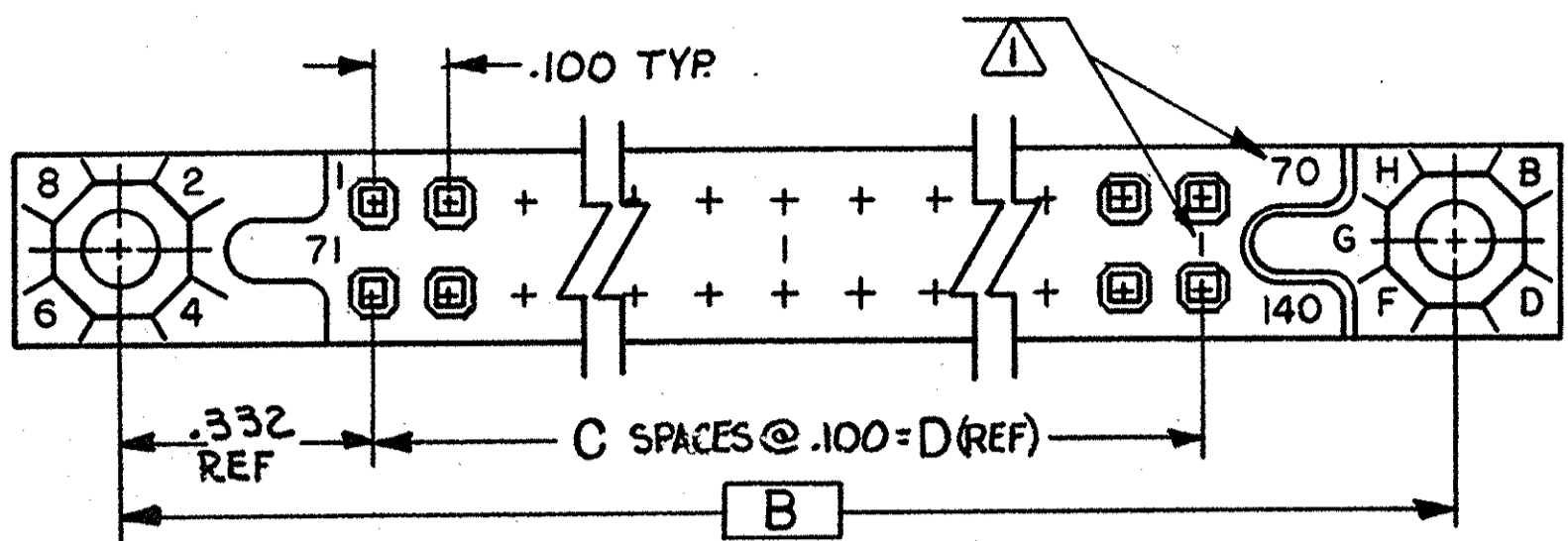


© COPYRIGHT 19 BY AMP INCORPORATED, HARRISBURG, PA. ALL INTERNATIONAL RIGHTS RESERVED. AMP INCORPORATED PRODUCTS COVERED BY U. S. AND FOREIGN PATENTS AND/OR PATENTS PENDING.

REVISIONS					
P	F	ZONE	LTR	DESCRIPTION	DATE APPROVED
0	✓		0	REL.	
✓	✓		A	REV. PER ECN AB-0535	db 1-16-85 EAM
			B	REV PER DF-0089 & DF-0117	TS 11-88 JAM
			C	REV PER 0600-5859-96	TT 4-98 J2
			D	REV PER 0600-6466-97	TT 10-98 J2
			E	REV PER ECO-05-013283	11-05 PY



P.C. BOARD HOLE LAYOUT (CONNECTOR SIDE)

- △ CAVITY IDENTIFICATION (SEE CHART) + LINES INDICATING EVERY 5th CAVITY MOLDED OR MARKED
- △ AMP, PART NO. + DATE CODE MOLDED OR MARKED
- △ HOUSING MAT'L: DIALLYL PHTHALATE
COLOR: BLUE
- △ CONTACT MAT'L: BERYLLIUM COPPER OR COPPER-NICKEL-SILICONE
- △ CONTACT FINISH: .000030 GOLD IN CONTACT AREA OVER .000030 NICKEL ALL OVER, TIN-LEAD PLATED POSTS.

OBSOLETE	1/71	70/140	6.975	6.900	69	7.565	7.855	140	1-531834-3
	1/68	67/134	6.675	6.600	66	7.265	7.555	134	1- -2
	1/66	65/130	6.475	6.400	64	7.065	7.355	130	1- -1
OBSOLETE	1/61	60/120	5.975	5.900	59	6.565	6.855	120	1- -0
	1/56	55/110	5.475	5.400	54	6.065	6.355	110	-9
OBSOLETE	1/51	50/100	4.975	4.900	49	5.565	5.855	100	-8
	1/46	45/90	4.475	4.400	44	5.065	5.355	90	-7
OBSOLETE	1/41	40/80	3.975	3.900	39	4.565	4.855	80	-6
	1/36	35/70	3.475	3.400	34	4.065	4.355	70	-5
OBSOLETE	1/31	30/60	2.975	2.900	29	3.565	3.855	60	-4
OBSOLETE	1/26	25/50	2.475	2.400	24	3.065	3.355	50	-3
OBSOLETE	1/21	20/40	1.975	1.900	19	2.565	2.855	40	-2
OBSOLETE	1/16	15/30	1.475	1.400	14	2.065	2.355	30	531834-1

UNLESS OTHERWISE SPECIFIED DIMENSIONS ARE IN INCHES.		CONTRACT NO		AMP INCORPORATED Harrisburg, Pa.	
TOLERANCES ON: DECIMALS ± .005 ANGLES		DR Debra Kelly 3-26-80		NAME BOX CONNECTOR RECEPTACLE ASSEMBLY .100x.100 GRID WRAP TYPE POSTS	
MATERIAL	△△	CHK Royce W. Durbin 9/11/80		SIZE CODE IDENT NO DRAWING NO C 00779 531834	
FINISH	△	APPD Royce W. Durbin 9-19-80		SCALE 4:1 SHEET 1 OF 1	
		APPD E. Parsons			
		DSGN APPD			
		OTHER APPD			

531834