

REL-MR- 12DC/21/MS - Single relay



2909641

<https://www.phoenixcontact.com/us/products/2909641>

Please be informed that the data shown in this PDF document is generated from our online catalog. Please find the complete data in the user documentation. Our general terms of use for downloads are valid.



Plug-in miniature power relay, with power contact, 1 changeover contact, manual operation, 12 V DC input voltage

Commercial data

Item number	2909641
Packing unit	1 pc
Minimum order quantity	10 pc
Note	Made to order (non-returnable)
Sales key	C460
Product key	CK6195
Catalog page	Page 284 (C-5-2019)
GTIN	4055626377667
Weight per piece (including packing)	6.63 g
Weight per piece (excluding packing)	4.7 g
Customs tariff number	85364190
Country of origin	CZ

REL-MR- 12DC/21/MS - Single relay



2909641

<https://www.phoenixcontact.com/us/products/2909641>

Technical data

Product properties

Product type	Single relay
Operating mode	100% operating factor
Mechanical service life	1x 10 ⁷ cycles

Insulation characteristics

Overvoltage category	III
Pollution degree	3

Electrical properties

Maximum power dissipation for nominal condition	0.17 W
Test voltage (Winding/contact)	4 kV AC (50 Hz, 1 min., winding/contact)

Input data

Coil side

Nominal input voltage U _N	12 V DC
Input voltage range	7.2 V DC ... 33 V DC
Input voltage range in reference to U _N	see diagram
Drive and function	monostable
Drive (polarity)	non-polarized
Typical input current at U _N	14 mA
Typical response time	5 ms
Typical release time	2.5 ms
Coil resistance	848 Ω ±10 % (at 20 °C)

Output data

Switching

Contact switching type	1 changeover contact
Type of switch contact	Single contact
Contact material	AgSnO
Maximum switching voltage	250 V AC/DC
Minimum switching voltage	5 V (at 100 mA)
Limiting continuous current	6 A
Maximum inrush current	10 A (4 s)
Min. switching current	10 mA (at 12 V)
Interrupting rating (ohmic load) max.	140 W (at 24 V DC) 20 W (at 48 V DC) 18 W (at 60 V DC) 23 W (at 110 V DC) 40 W (at 220 V DC) 1500 VA (for 250 V AC)

REL-MR- 12DC/21/MS - Single relay



2909641

<https://www.phoenixcontact.com/us/products/2909641>

Switching capacity	2 A (at 24 V, DC13)
	0.2 A (at 110 V, DC13)
	0.1 A (at 220 V, DC13)
	3 A (at 24 V, AC15)
	3 A (at 120 V, AC15)
	3 A (at 230 V, AC15)
Motor load according to UL 508	1/4 HP, 240 - 277 V AC (N/O contact)
	1/6 HP, 240 - 277 V AC (N/C contact)

Connection data

Connection method	Plug / solder connection
-------------------	--------------------------

Dimensions

Width	5 mm
Height	28 mm
Depth	16 mm

Environmental and real-life conditions

Ambient conditions

Degree of protection	RT II
Ambient temperature (operation)	-40 °C ... 85 °C
Ambient temperature (storage/transport)	-40 °C ... 85 °C

Approvals

Corrosive gas test

Identification	ISA-S71.04. G3 Harsh Group
	EN 60068-2-60

Standards and regulations

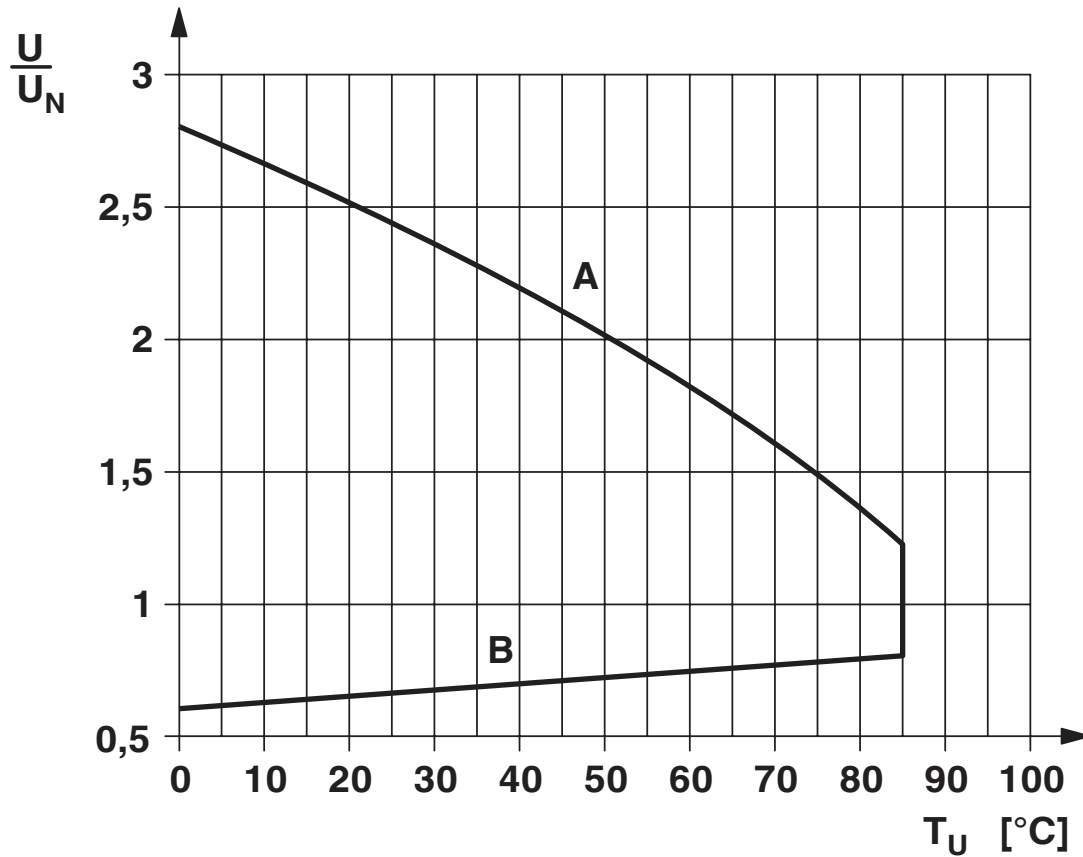
Standards/regulations	IEC 60664
	EN 50178
	EN 61810-1

Mounting

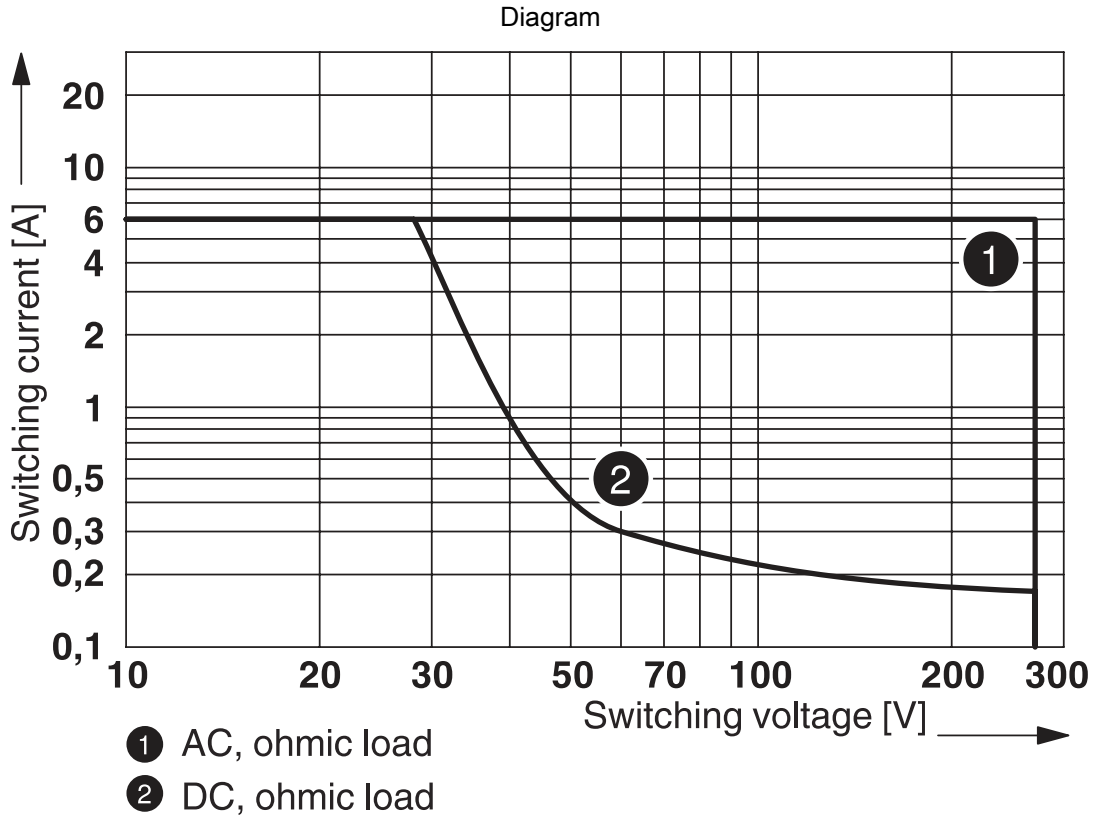
Assembly instructions	in rows with zero spacing
Mounting position	any

Drawings

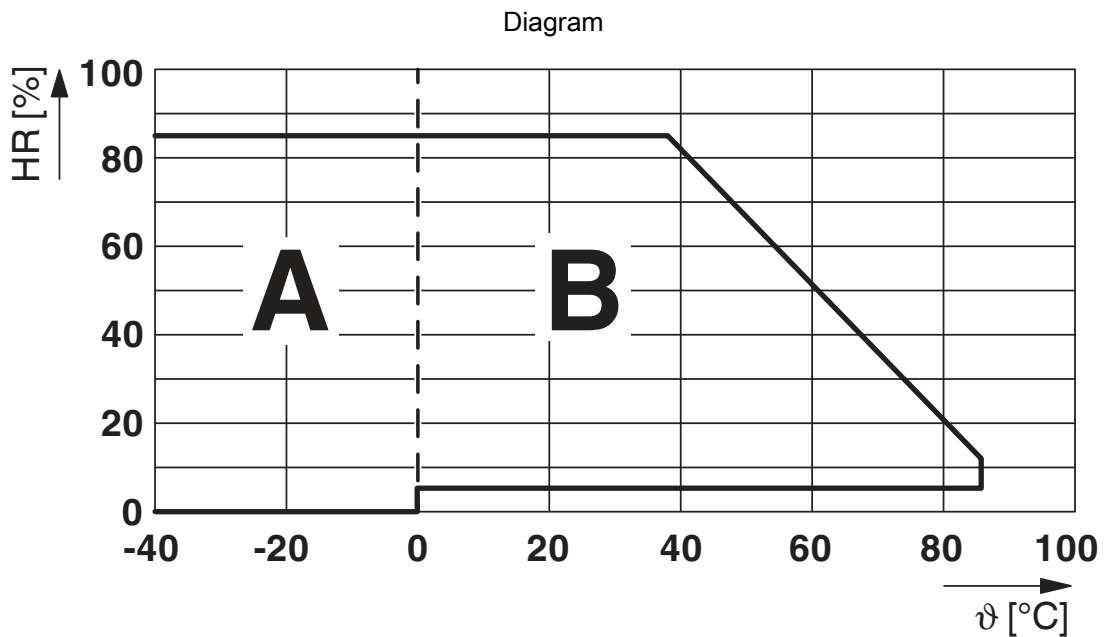
Diagram



Operating voltage range



Interrupting rating



Permissible humidity for operation and storage.

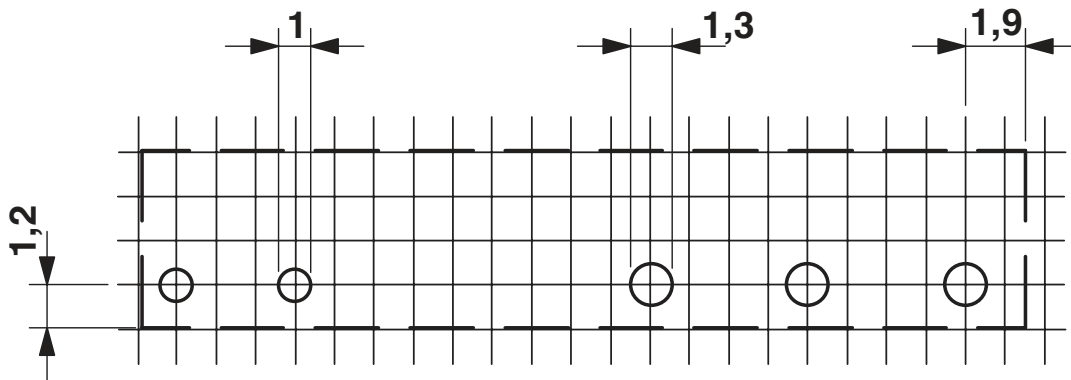
The maximum permissible ambient temperature as specified in the data sheet must be observed.

Area A: Ice buildup at ambient temperatures $\leq 0^\circ\text{C}$ must be prevented

Area B: Condensation at ambient temperatures $> 0^\circ\text{C}$ must be prevented

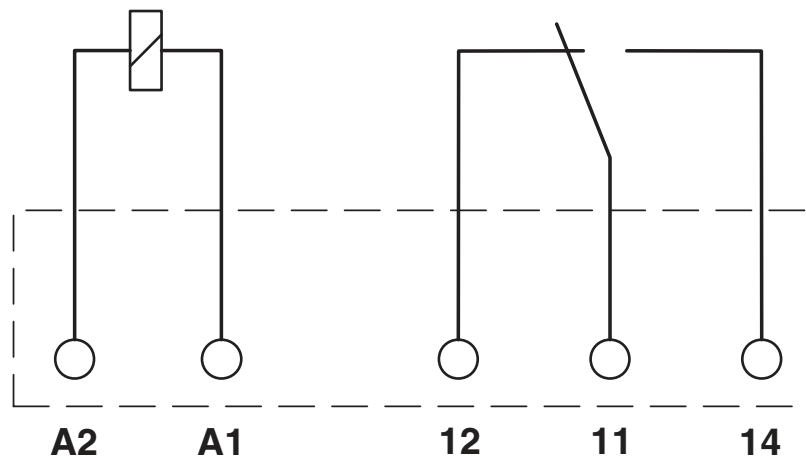
On 30 full days that are naturally distributed across an entire year, a humidity level of 95% is permissible at an ambient temperature $\leq 25^\circ\text{C}$.

Drilling plan/solder pad geometry



a = pitch division 1.25 mm and 1.27 mm

Circuit diagram



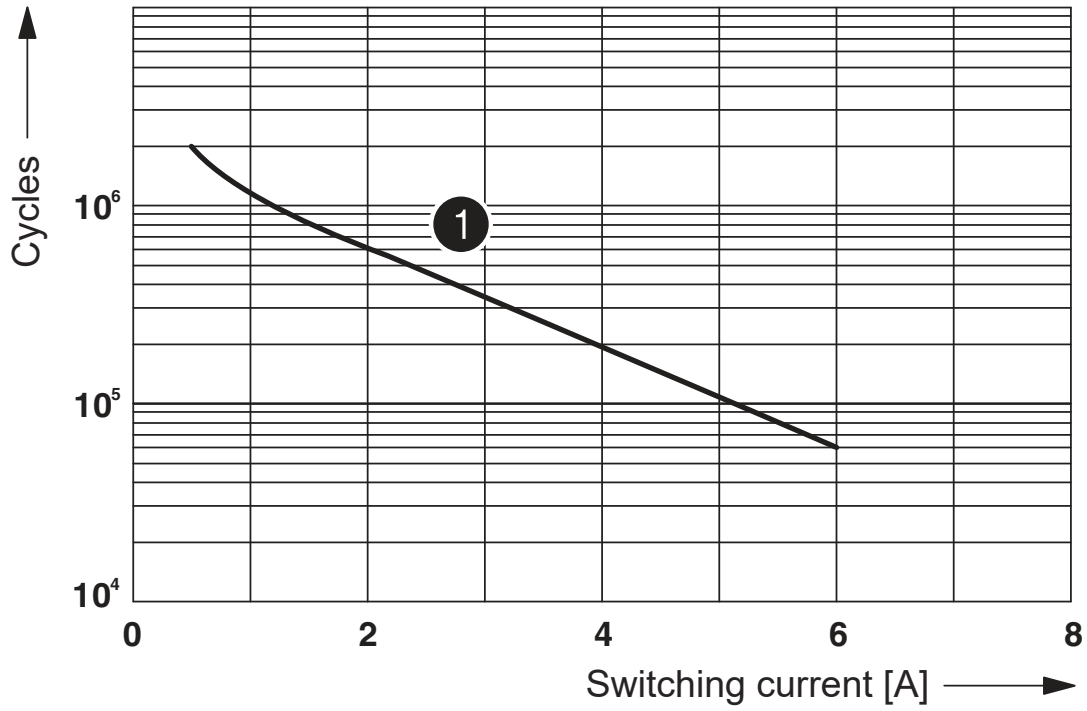
REL-MR- 12DC/21/MS - Single relay



2909641

<https://www.phoenixcontact.com/us/products/2909641>

Diagram



① 250 V AC, ohmic load

Electrical service life

REL-MR- 12DC/21/MS - Single relay



2909641

<https://www.phoenixcontact.com/us/products/2909641>

Approvals

To download certificates, visit the product detail page: <https://www.phoenixcontact.com/us/products/2909641>



cUL Recognized
Approval ID: FILE E 228652



UL Recognized
Approval ID: FILE E 228652



EAC
Approval ID: TR_TS_D_00573_c



EAC
Approval ID: RU*C-DE.*08.B.00010



VDE Zeichengenehmigung
Approval ID: 40010212

cULus Recognized

REL-MR- 12DC/21/MS - Single relay



2909641

<https://www.phoenixcontact.com/us/products/2909641>

Classifications

ECLASS

ECLASS-11.0	27371601
ECLASS-12.0	27371601
ECLASS-13.0	27371601

ETIM

ETIM 8.0	EC001437
----------	----------

UNSPSC

UNSPSC 21.0	39122300
-------------	----------

REL-MR- 12DC/21/MS - Single relay



2909641

<https://www.phoenixcontact.com/us/products/2909641>

Environmental product compliance

China RoHS	Environmentally friendly use period: unlimited = EFUP-e
	No hazardous substances above threshold values

REL-MR- 12DC/21/MS - Single relay



2909641

<https://www.phoenixcontact.com/us/products/2909641>

Accessories

RIF-0-BPT/21 - Relay base

2900958

<https://www.phoenixcontact.com/us/products/2900958>



Relay base RIF-0..., for miniature power relay with 1 changeover contact or solid-state relays of the same design, Push-in connection, for mounting on NS 35/7,5

RIF-0-BSC/21 - Relay base

2900957

<https://www.phoenixcontact.com/us/products/2900957>



RIF-0... relay base, for miniature power relay with 1 changeover contact or identical solid-state relays, screw connection, for mounting on NS 35/7,5

Phoenix Contact 2023 © - all rights reserved

<https://www.phoenixcontact.com>

Phoenix Contact USA
586 Fulling Mill Road
Middletown, PA 17057, United States
(+717) 944-1300
info@phoenixcon.com