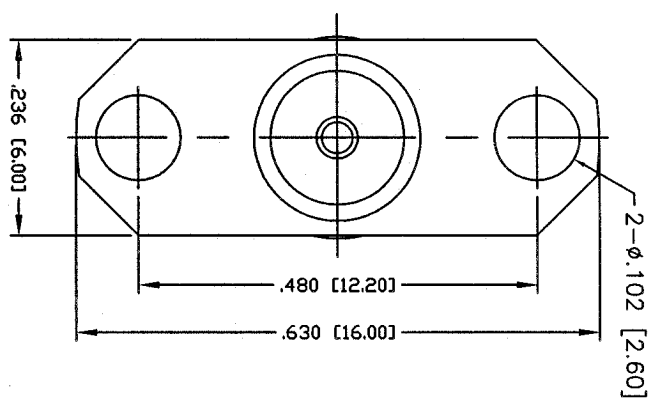
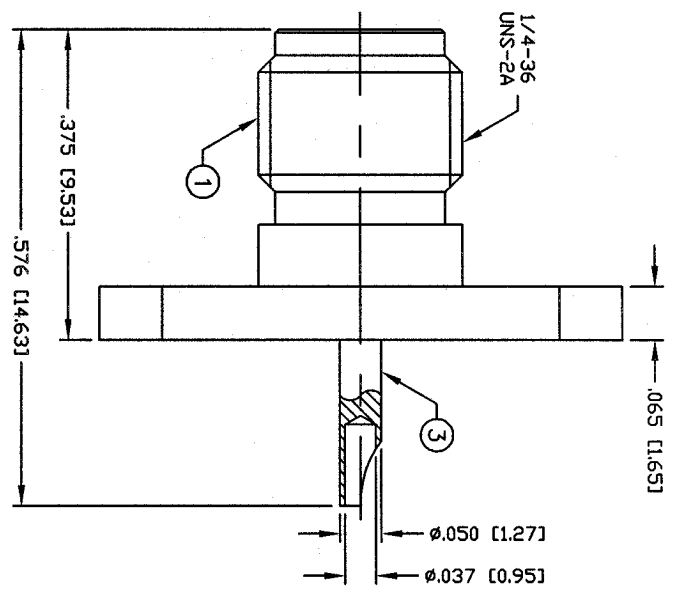


THIS DRAWING CONTAINS INFORMATION PROPRIETARY TO RF INDUSTRIES.
 ANY UNAUTHORIZED USE OF THIS DRAWING IS EXPRESSLY PROHIBITED
 WITHOUT WRITTEN PERMISSION FROM RF INDUSTRIES.
 ANY VIOLATION IS PUNISHABLE UNDER U.S. COPYRIGHT LAWS.

ALL DIMENSIONS ARE REFERENCE ONLY



IMPEDANCE: 50 OHMS
 FREQUENCY RANGE: 0-12.4 GHz
 VSWR: 1.3 MAX.

1	BODY	1	BRASS	NICKEL, 100µ	008974		
2	INSULATOR	1	PTFE	---			
3	CONTACT	1	Be-Cu	GOLD, 50µ			
4	INSULATOR	1	PTFE	---			
5	RETAINING RING	1	BRASS	NICKEL, 100µ			
6							
7							
8							
9							
10							
11							
12							
13							
14							
#	DESCRIPTION	QTY	MATRL	FINISH (IN)	APPROVALS	DATE	

UNLESS OTHERWISE SPECIFIED:
 1. REMOVE ALL BURRS
 2. BREAK ALL CORNERS & EDGES .005 R. MAX.
 3. CHAMFER 1ST & LAST THREADS 45°
 4. SURFACE ROUGHNESS 63 FINISH MIL-STD-10
 5. DIAMETERS ON COMMON CENTERS TO BE CONCENTRIC WITHIN .002 T.I.R.
 6. ALL DIMENSIONS ARE AFTER PLATING.

DIMENSIONS ARE IN INCHES AND [MILLIMETERS]
 UNLESS OTHERWISE NOTED TOLERANCES ARE:
 DECIMALS .XXX+.003 [-.08]
 DIA. .XXX+.001 [-.03]
 .XXX+.005 [-.13]

PART NO.		RSA-3261	
REV	DESCRIPTION	DWN	DATE
-	ENGINEERING RELEASE	CZS	9/21/98
			APPROVED
			JDMc

RF Connectors
 DIVISION OF RF INDUSTRIES, LTD.

7610 MIRAMAR RD
 SAN DIEGO, CA 92126
 (858) 549-6340
 (858) 549-6345 FAX

SMA JACK RECEPTACLE
 TWO HOLE FLANGE

SIZE	CABLE GROUP	DWG NO.	REV
A	N/A	RSA-3261	-
SCALE:	NTS	CAD FILE	OUTLINE
		SHEET	1 OF 1