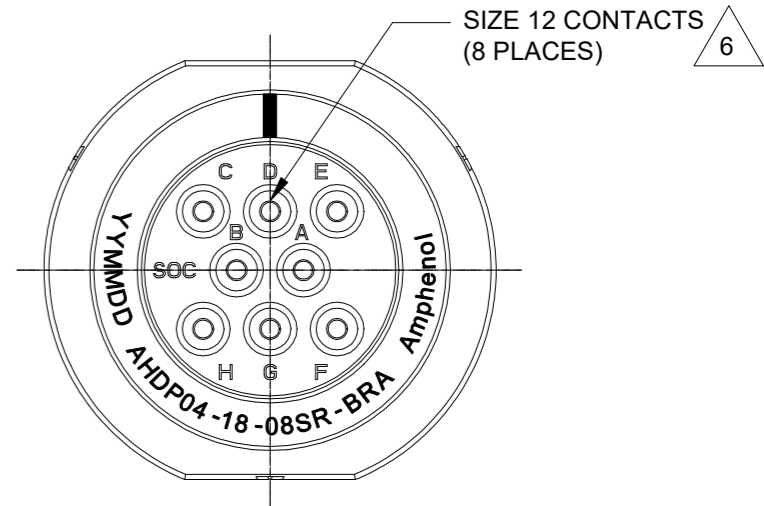
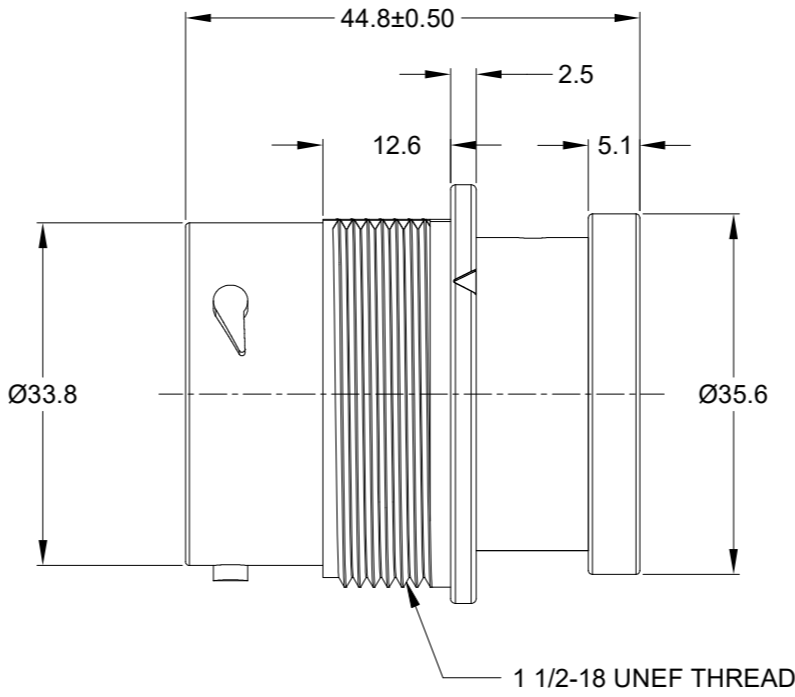
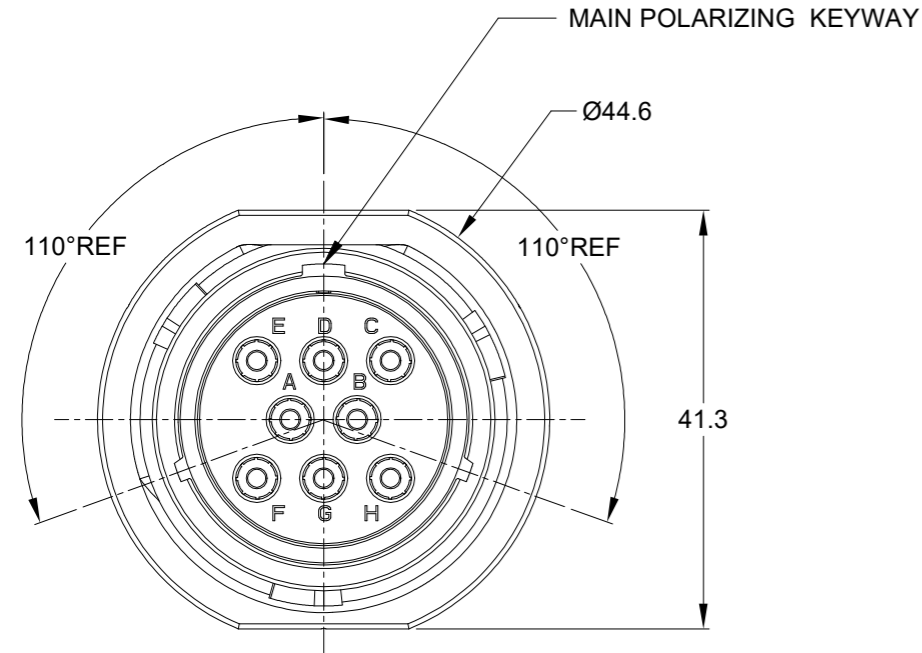


REVISIONS					
REV	ECO	DESCRIPTION	DATE	BY	APPR
A1	-	RELEASE NEW DRAWING	28/MAR/22	MILO	TOMMY

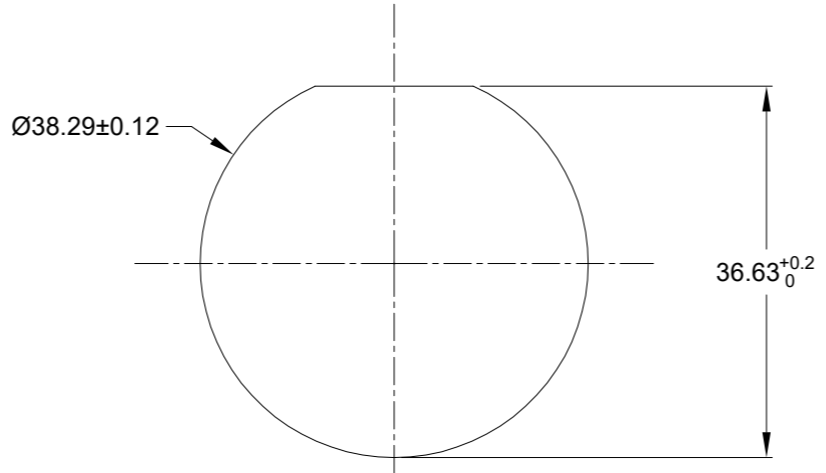


NOTES: UNLESS OTHERWISE SPECIFIED

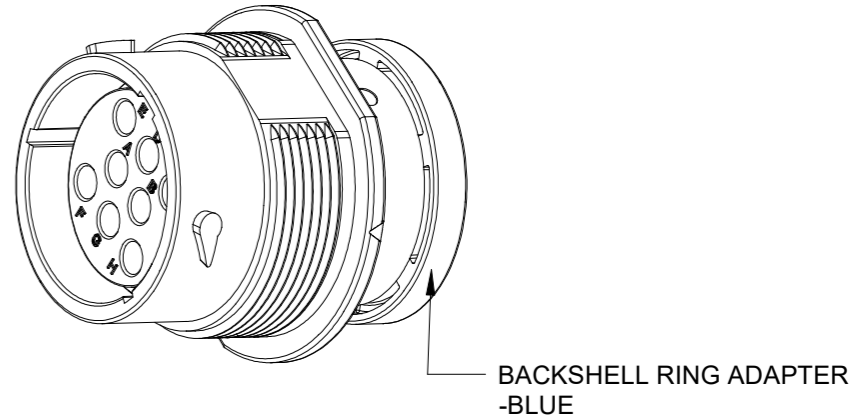
- MATERIAL:  
HOUSING: THERMOPLASTIC; BLACK  
SEAL: SILICONE RUBBER
- MODIFICATIONS: BACKSHELL RING ADAPTER (BRA);  
REDUCED DIA. WIRE SEAL
- SPECIFICATIONS:  
3.1 OPERATING TEMPERATURE:  $-55^\circ\text{C}$  TO  $+125^\circ\text{C}$ .  
3.2 DIELECTRIC WITHSTANDING VOLTAGE: LESS THAN 2 MILLIAMPS CURRENT LEAKAGE @ 1500 VOLTS AC.  
3.3 INSULATION RESISTANCE: 1000 MEGOHM MIN @  $25^\circ\text{C}$ .  
3.4 MOISTURE RESISTANCE:  
IP68(IM OF WATER FOR A PERIOD OF 24 HOURS, MATED CONDITION);  
IP69K(MATED CONDITION).  
3.5 MATING CYCLE DURABILITY: 100 CYCLES  
3.6 RoHS COMPLIANT
- MATING PART: AHDP06-18-08P\* (\* = SEAL TYPE)
- ALL DIMENSIONS ARE FOR REFERENCE USE ONLY.

6 CONTACT SIZE AND WIRE RANGE:

CONTACT SIZE	MIN. INSUL O.D.	MAX. INSUL O.D.	TYPICAL WIRE RANGE	CURRENT RATING
12	2.46 mm (.097 in)	4.01 mm (.158 in)	10-14 AWG (6.0-2.0mm <sup>2</sup> )	25 AMPS



RECOMMENDED PANEL MOUNTING HOLE  
RECOMMENDED PANEL THICKNESS: 1.6 TO 4.7MM



QUANTITY	PART NUMBER	DESCRIPTION	ITEM
	AHDPO4-18-08SR-BRA		

MATERIALS LIST			
SIGNATURES	DATE		
DRAWN: MILO	28/MAR/22	<p><b>Amphenol</b></p> <p>Sine Systems - www.amphenol-sine.com 44724 Morley Drive Clinton Township, MI 48036</p> <p>8POS, RECEPTACLE, SOCKET, SIZE 18, RD SEAL, BRA, DURAMATE AHDP</p>	
CHECKED: SULLEN	29/MAR/22		
ENGINEER:			
APPROVAL: TOMMY	30/MAR/22		
MATERIAL SPECIFICATIONS:	CUSTOMER:		
WEIGHT: 41.1g			
PROCESS SPECIFICATIONS:	THIS DRAWING IS SUPPLIED FOR INFORMATION ONLY. DESIGN FEATURES, SPECIFICATIONS AND PERFORMANCE DATA SHOWN HEREON ARE THE PROPERTY OF THE AMPHENOL CORPORATION. NO RIGHTS OF REPRODUCTION ARE IMPLIED. ALL DIMENSIONS ARE SUBJECT TO NORMAL MANUFACTURING VARIATIONS.		
NEXT ASSY:			

SIZE	TYPE	DWG NO.	REVISION
B	C-	AHDPO4-18-08SR-BRA	A1

SCALE	SHEET	OF
NONE	1	1

TITLE: 8POS, RECEPTACLE SOCKET, SIZE 18, RD SEAL, BRA, DURAMATE AHDP  
DWG NO: AHDPO4-18-08SR-BRA  
REV: A1  
SH: 1  
OF: 1