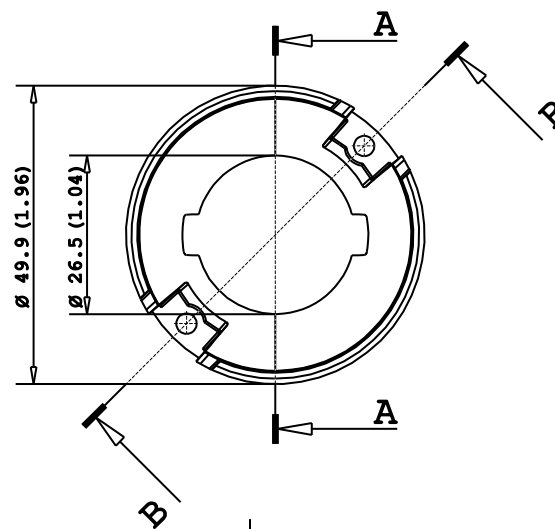
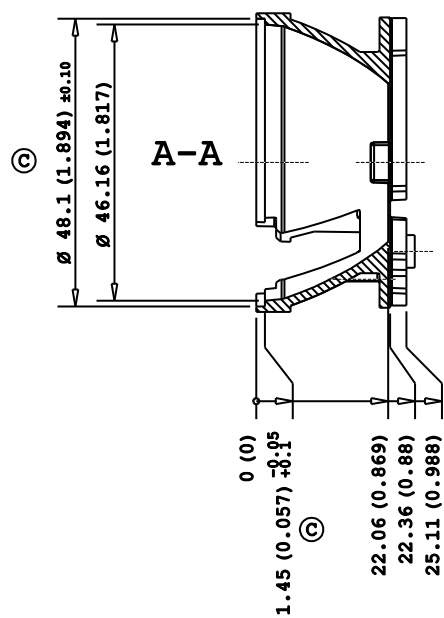
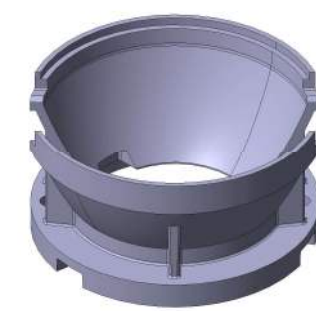
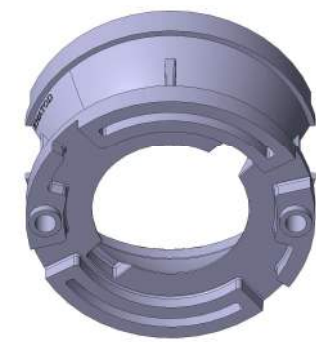
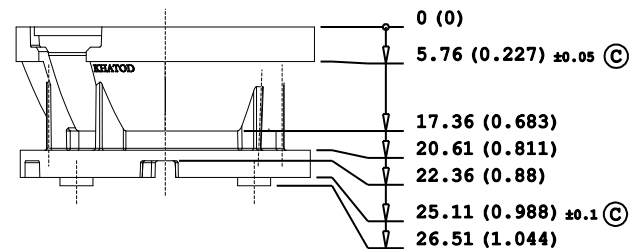
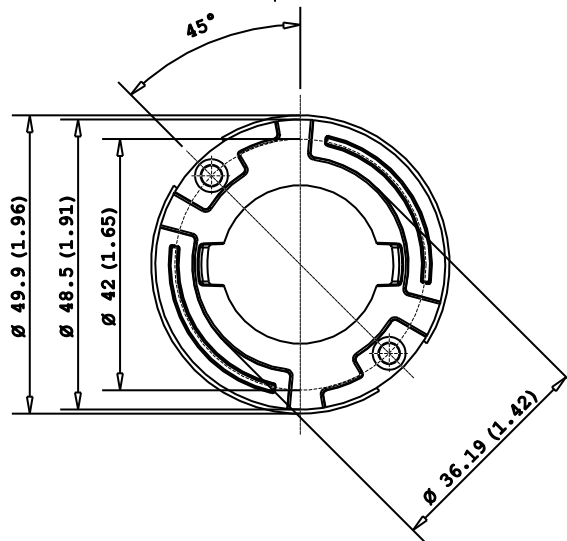
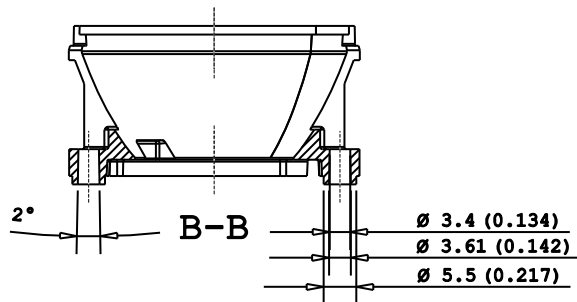


Note:  
 - Dimensions in inches into brackets  
 - For missing dimensions see 3D file  
 - All surfaces embossed 17/29 VDI  
 © = Quality Control Dimensions (QCD)



|  |   |                   |                        |
|--|---|-------------------|------------------------|
| ** Project and design owned by Khatod OPTOELECTRONIC s. r. l.**<br>The technical solutions adopted in this design are Khatod intellectual property, they cannot be reproduced and transmitted to third parties without our prior written permission.<br>Unauthorized disclosure of confidential proprietary information will be prosecuted by law. |   |                   |                        |
| DESCRIPTION : Lens Holder  |   | DESIGNER : LM     | PROJECTS : 1994        |
| CODE : KEL 1994 A  | CHECKED :   | CONTROLLED: IM/GV | DATA : 18/06/2016      |
| <b>KHATOD</b><br>Via Alessandrina,25<br>Cusano Milanino<br>MILANO<br>ITALIA<br>WWW.KHATOD.COM  | All Dimensions in mm<br>General Tolerances +/-0.20 mm |                   | HEAT TREATMENT: No One |
|  |   |                   | MATERIAL: PC HT Clear  |
| SCALE : 1 : 1  |   |                   | SHEET : 1 of 1         |