

注記  
NOTES

1. 各部の反りは0.5最大。  
CAMBER : 0.5 MAX.
2. サークットNO.はNO."1"のみ表示。  
CIRCUIT NO. : 1 ONLY.

適合ターミナル  
APPLICABLE TERMINAL

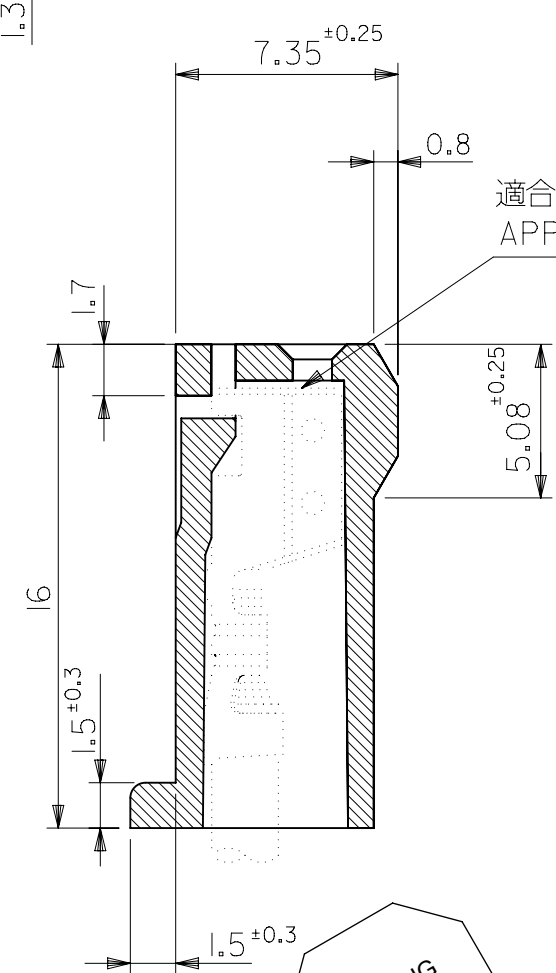
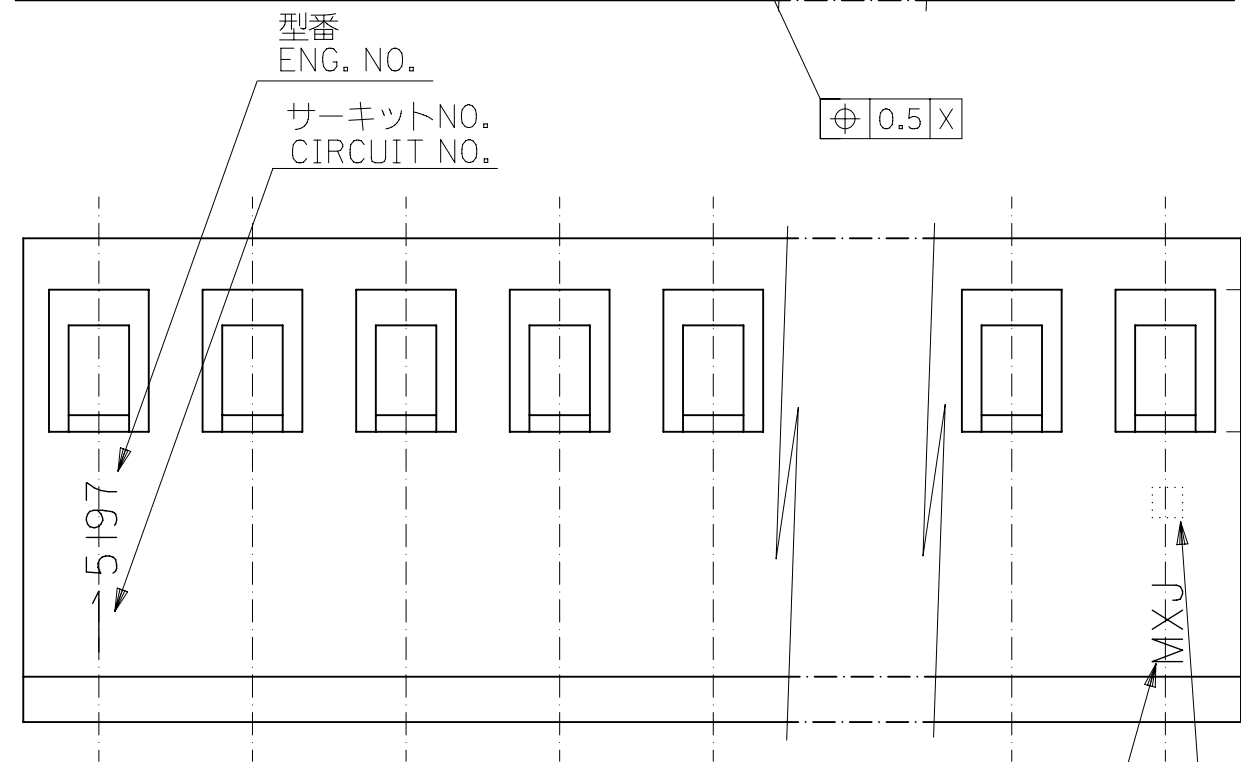
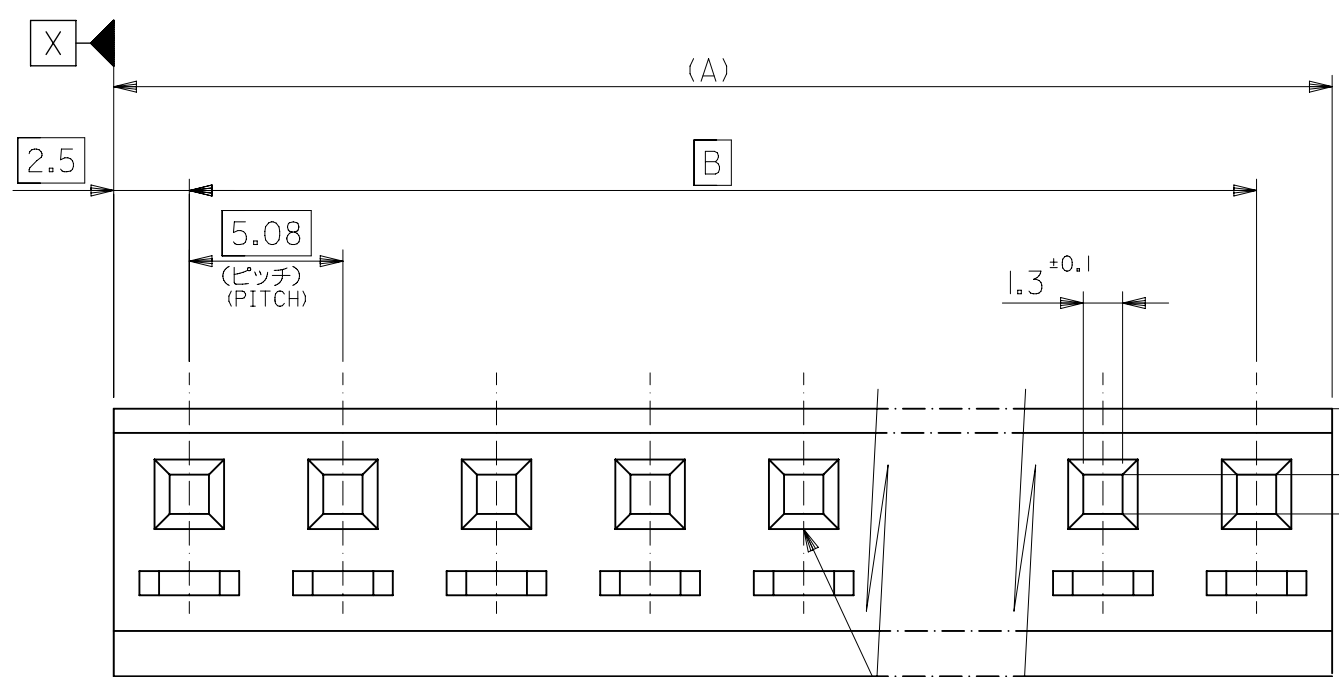
5194\*  
5225\*

40.64	45.64	10-01-3096	5197-09	9
30.48	35.48	-3076	-07	7
25.4	30.4	-3066	-06	6
20.32	25.32	-3056	-05	5
15.24	20.24	-3046	-04	4
10.16	15.16	-3036	-03	3
5.08	10.08	10-01-3026	5197-02	2
B	A	EDP. NO.	ENG. NO.	極数 NO. OF CKTS.

PENDING APPROVAL

トレードマーク  
TRADE MARK

キャビティマーク  
CAVITY MARK



DOCUMENT STATUS	RQ	RELEASE DATE
-----------------	----	--------------

角度 ANGLE	±3°
30以上 OVER	±0.3
10以上 OVER 30未満 UNDER	±0.25
10未満 UNDER	±0.2
一般公差 GENERAL TOLERANCES	

材料 MATERIAL	ナイロン66、UL94V-2 NYLON66、UL94V-2
仕上げ FINISH	—  —
適用電線範囲 WIRE RANGE	—  —
被覆外径 INS. RANGE	—  —

THIS DRAWING CONTAINS INFORMATION THAT IS PROPRIETARY TO MOLEX ELECTRONIC TECHNOLOGIES, LLC AND SHOULD NOT BE USED WITHOUT WRITTEN PERMISSION	
DIMENSION UNITS	SCALE
mm	4:1
GENERAL TOLERANCES (UNLESS SPECIFIED)	
4 PLACES ±	±
3 PLACES ±	±
2 PLACES ±	±
1 PLACE ±	±
0 PLACES ±	±
ANGULAR TOL ± °	± °
DRAFT WHERE APPLICABLE MUST REMAIN WITHIN DIMENSIONS	
THIRD ANGLE PROJECTION	DRAWING
⊕	B-SIZE
SERIES	5197
INITIAL REVISION:	1996/05/24
DRWN: M.TANAKA	1996/05/24
APPR: M.ENOMOTO	

<b>molex</b>			
SPOX 5.08 REC HSG			
PRODUCT CUSTOMER DRAWING			
DOCUMENT NUMBER	DOC TYPE	DOC PART	REVISION
SD-5197-N	PSD	020	G1
MATERIAL NUMBER	CUSTOMER	SHEET NUMBER	
SEE TABLE	GENERAL MARKET	1 OF 1	